

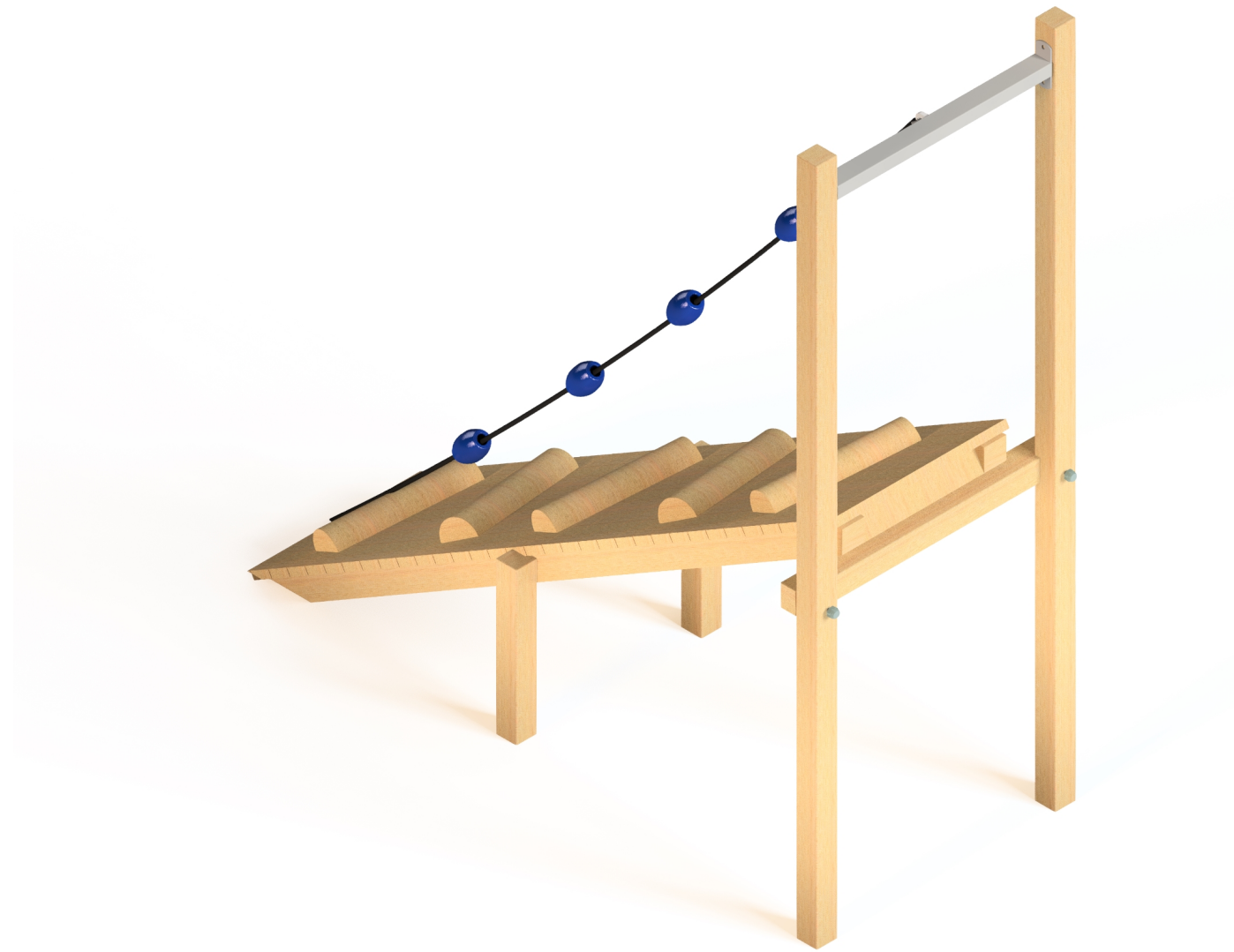
# SC382 Embankment Log Climber

ZCORD Number



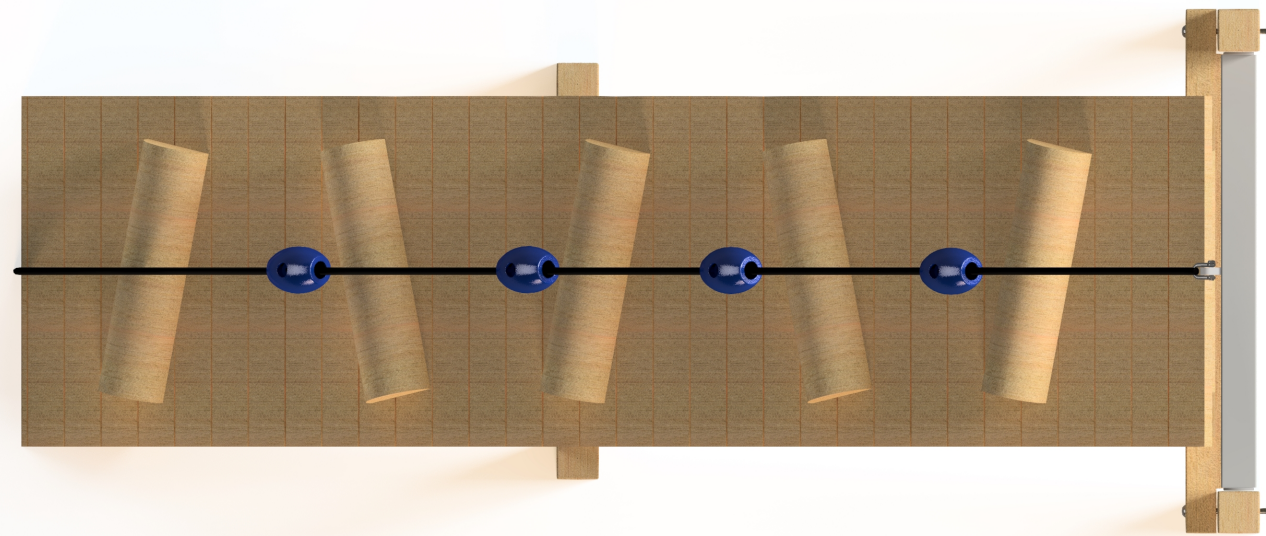
# SC382 Embankment Log Climber

ZCORD Number



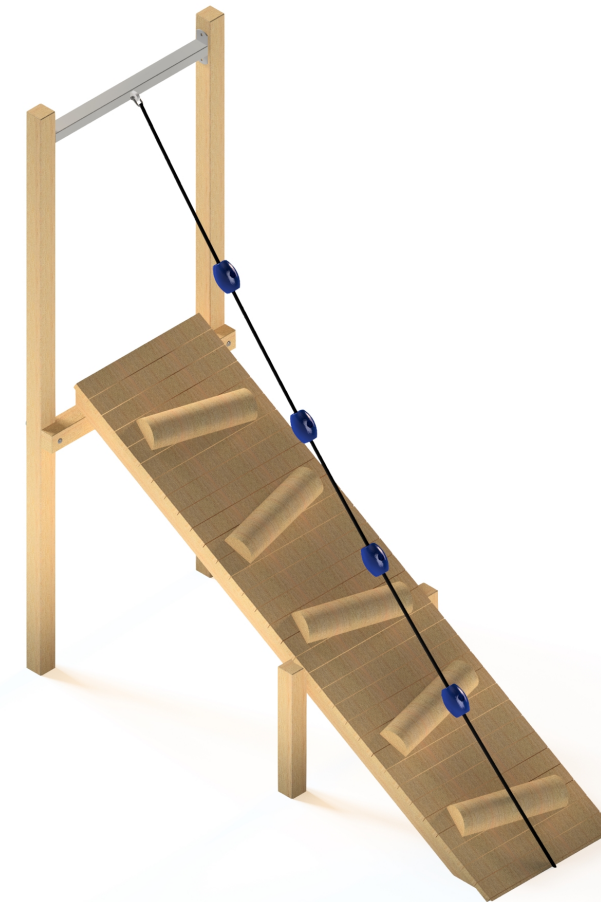
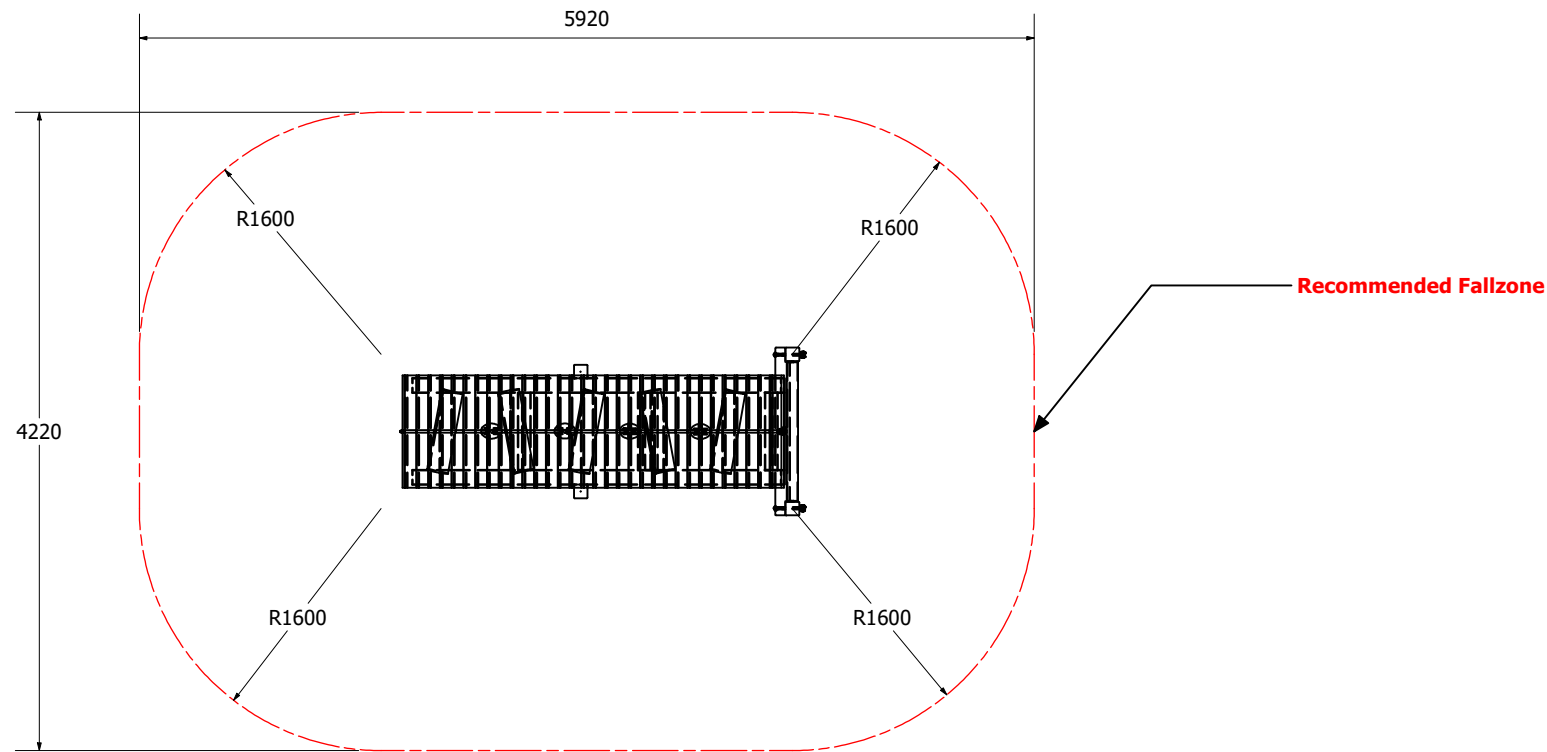
# SC382 Embankment Log Climber

ZCORD Number

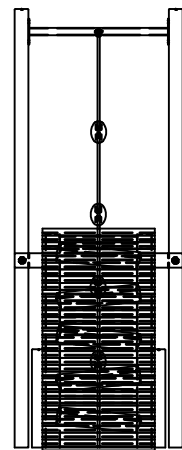


ZCORD Number

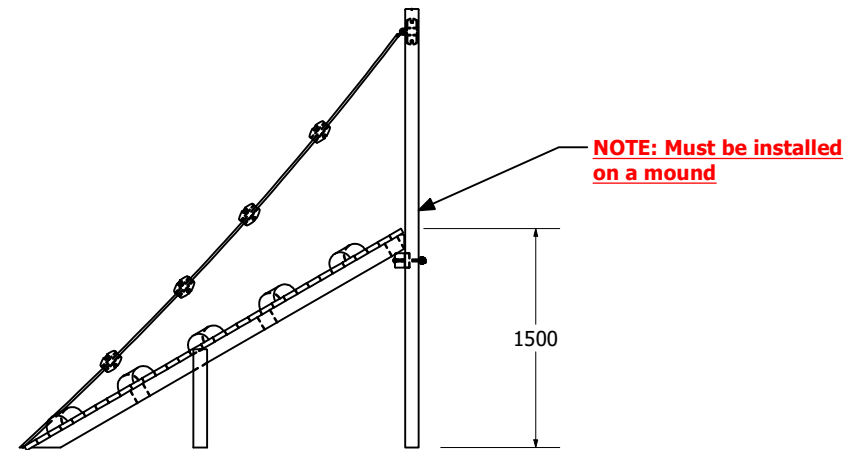
**Fallzones**



**Front Elevation**



**Right Elevation**



Technical Information	
Main Dimension	5920 x 4220
Total Area	23m2
Max FHOE	1m
Heaviest Part	--
Compliant to	NZS 5828:2015 AS 4685:2017 EN 1176:2008

REVISION HISTORY			
REV	DESCRIPTION	DATE	BY
0	Creation	11/12/2020	Sam