

# Titan City Slide - TFP1013

Front View



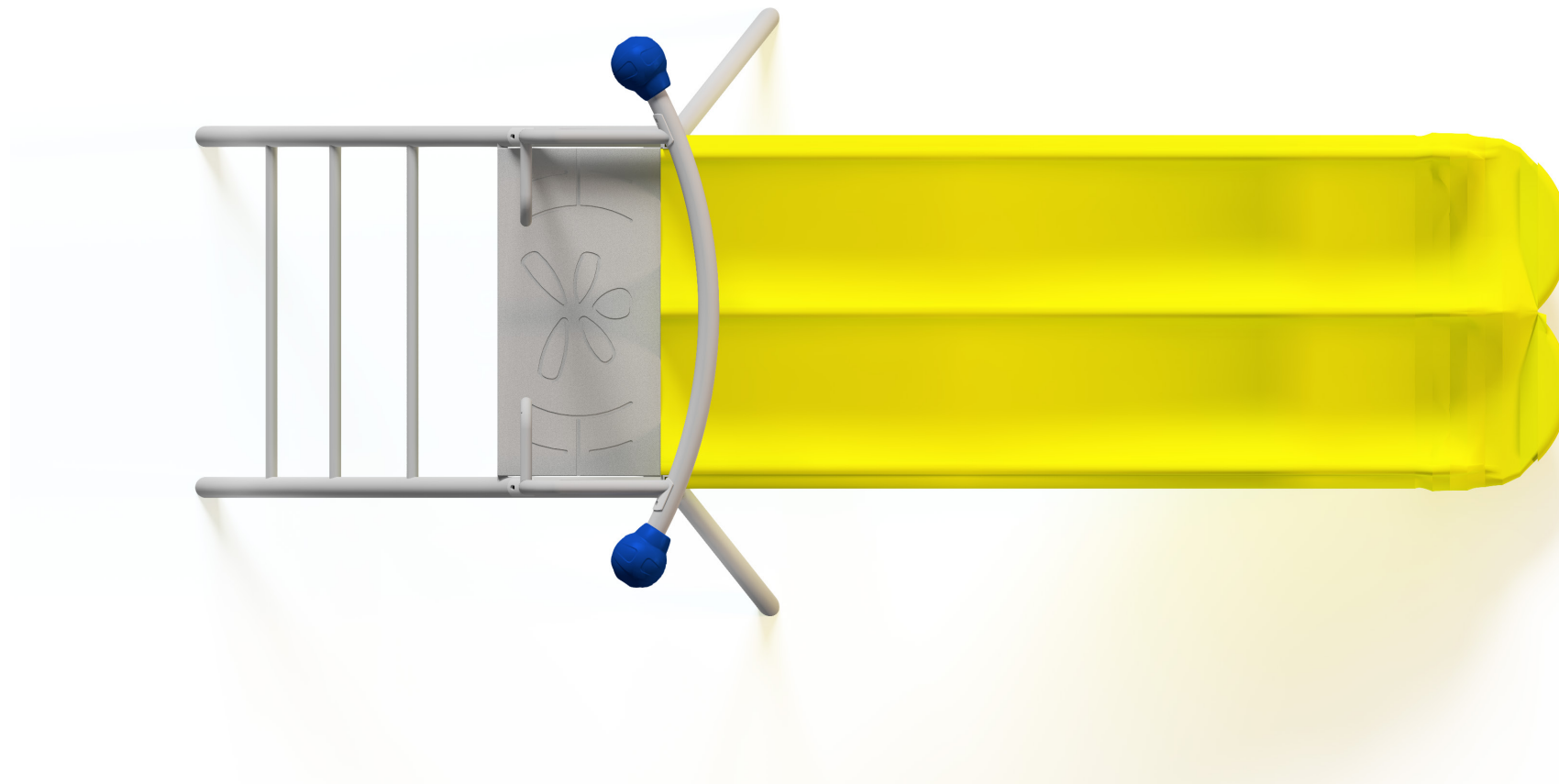
# Titan City Slide - TFP1013

Rear View



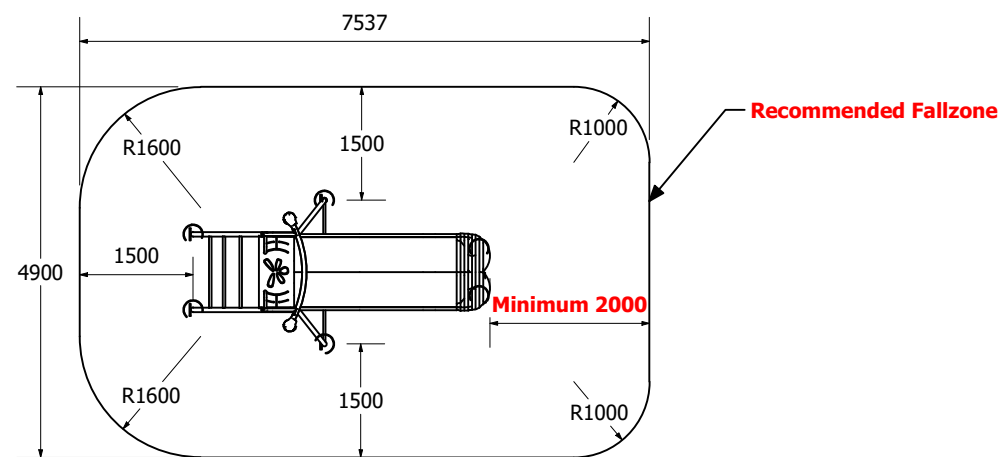
# Titan City Slide - TFP1013

Plan View

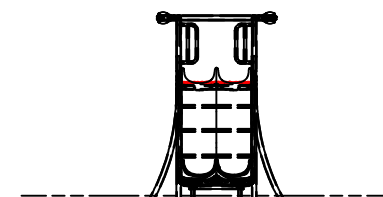


1:100 @ A3

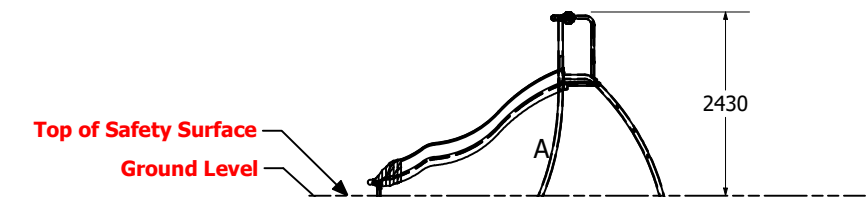
### Fallzones



### Front Elevation



### Right Elevation



Technical Information	
Main Dimension	7537 x 4900
Total Area	37 m2
Max FHO	1500
Heaviest Part	70kg
Compliant to	NZS 5828:2015 AS 4685:2017 EN 1176:2008

REVISION HISTORY			
REV	DESCRIPTION	DATE	BY
0	Creation	9/11/2017	