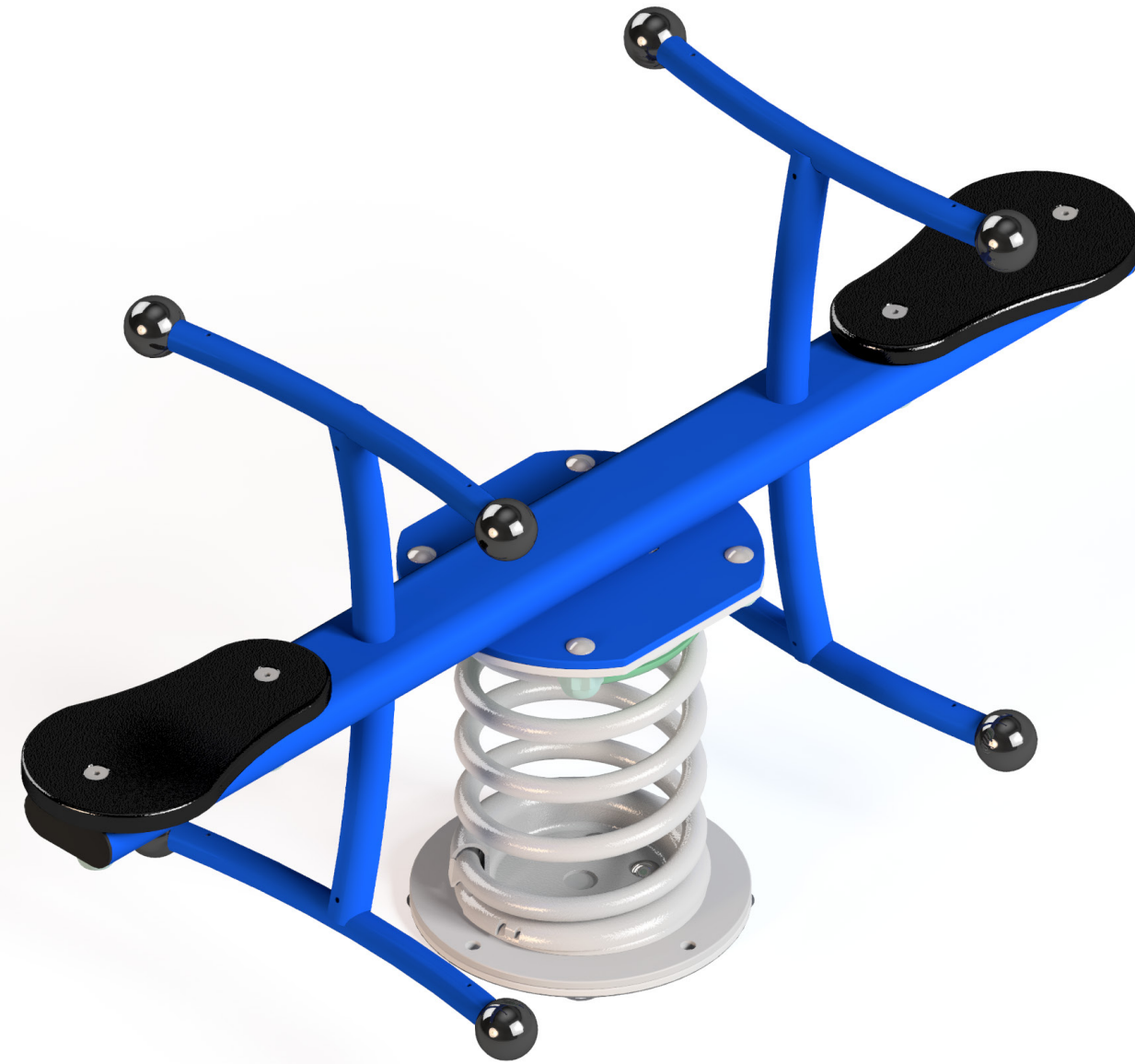
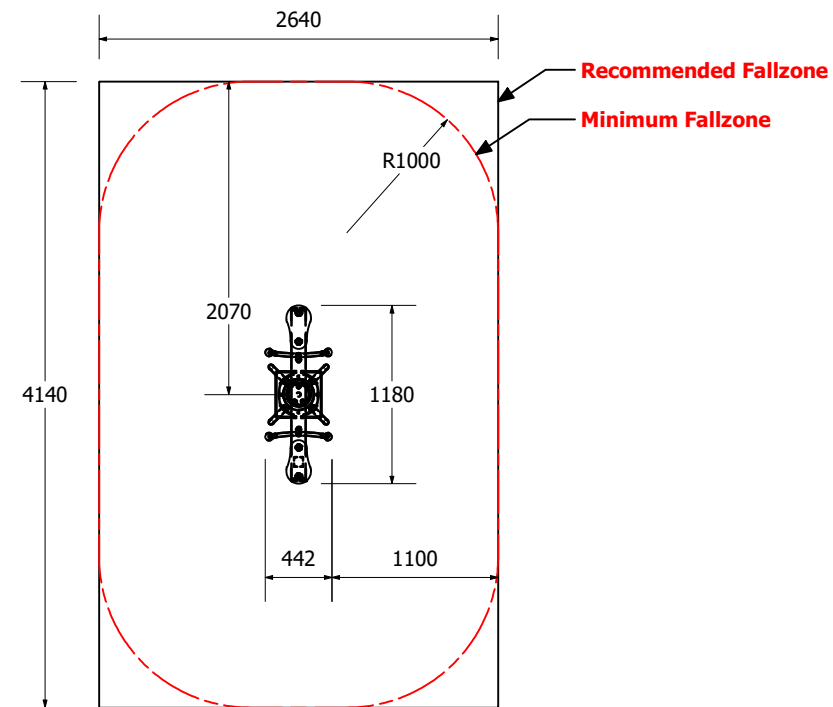


# Junior Rocker - 2 Seater

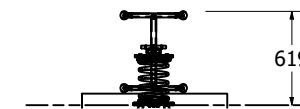


1:50 @ A3

### Fallzones



### Front Elevation



Technical Information	
Main Dimension	4140 x 2650
Total Area	11m <sup>2</sup>
Max FHO	1m
Heaviest Part	25kg
Compliant to	NZS 5828:2015 AS 4685:2017 EN 1176:2008

REVISION HISTORY			
REV	DESCRIPTION	DATE	BY
0	Creation	17/11/2017	