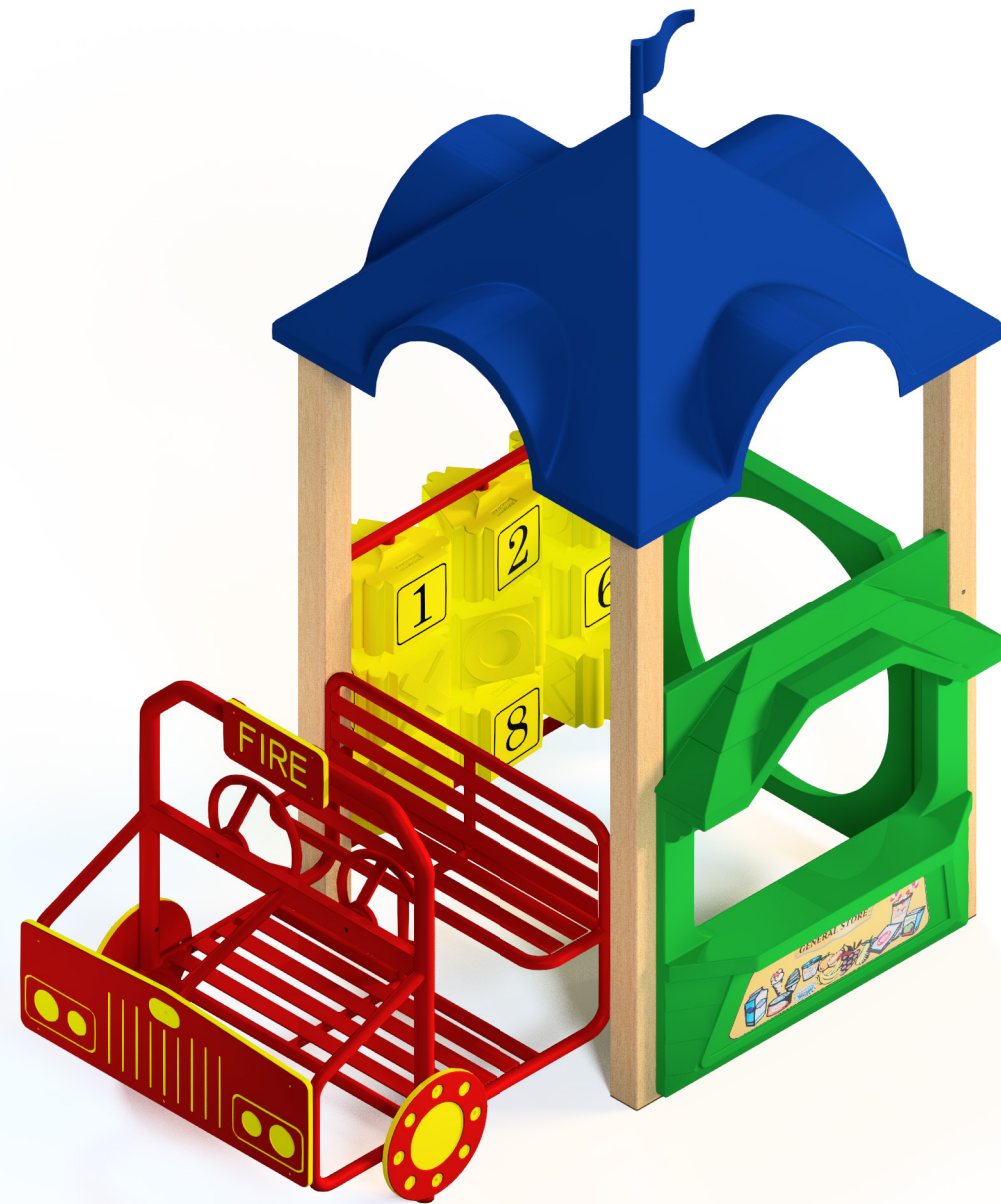
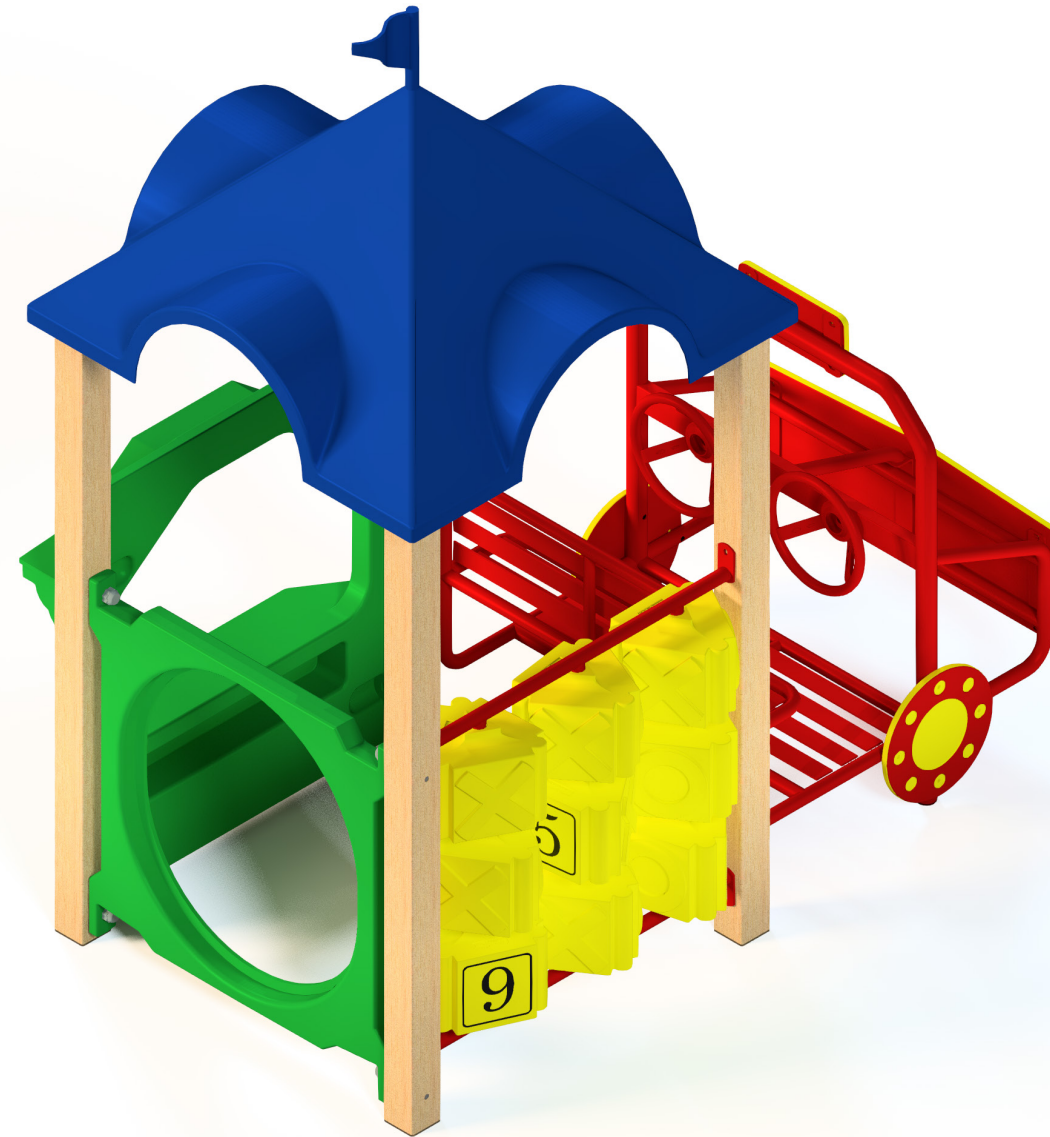


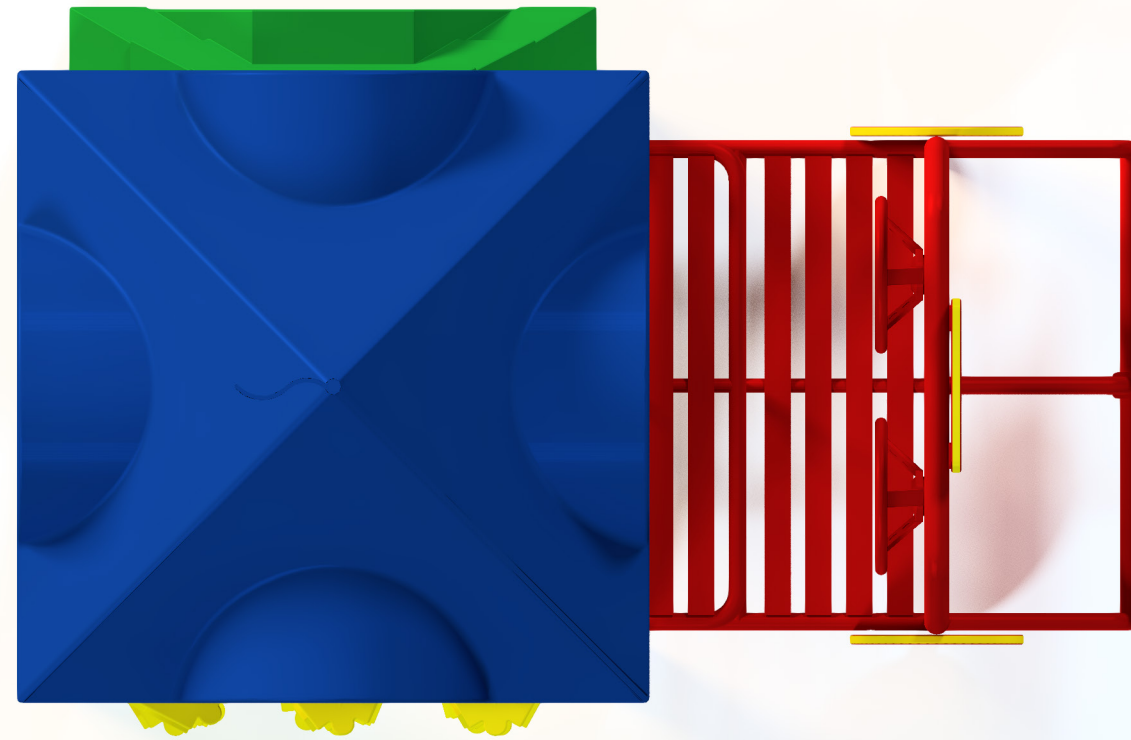
Toddler 103



Toddler 103

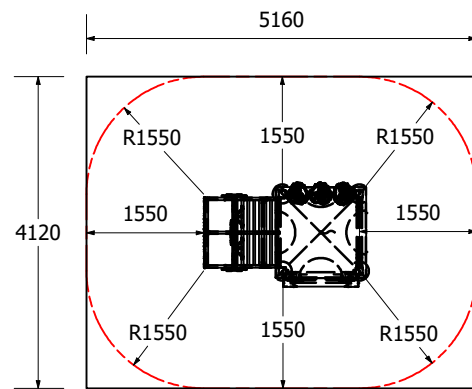


Toddler 103

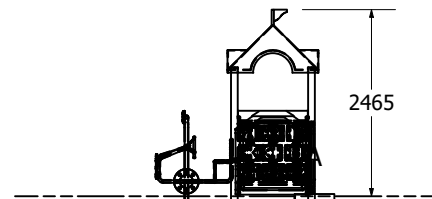


1:100 @ A3

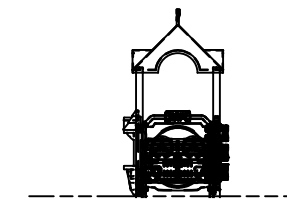
Fallzones



Front Elevation



Right Elevation



Technical Information	
Main Dimension	5160 x 4120
Total Area	
Max FHOF	<1m
Heaviest Part	
Compliant to	NZS 5828:2015 AS 4685:2017 EN 1176:2008

REVISION HISTORY			
REV	DESCRIPTION	DATE	BY
0	Creation	7/12/2018	