

TR303 Trinidad - Metal

Front view



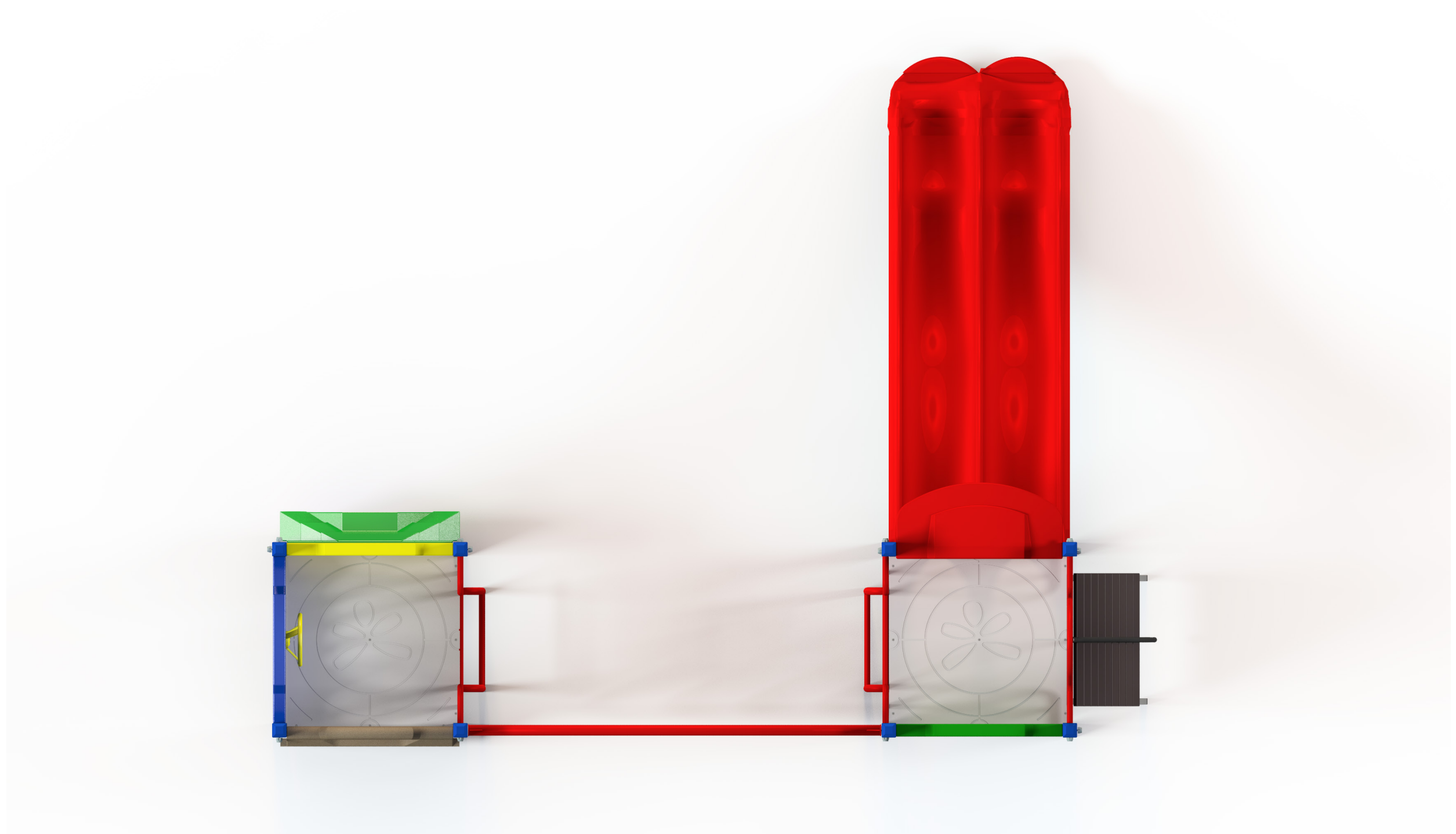
TR303 Trinidad - Metal

Rear view

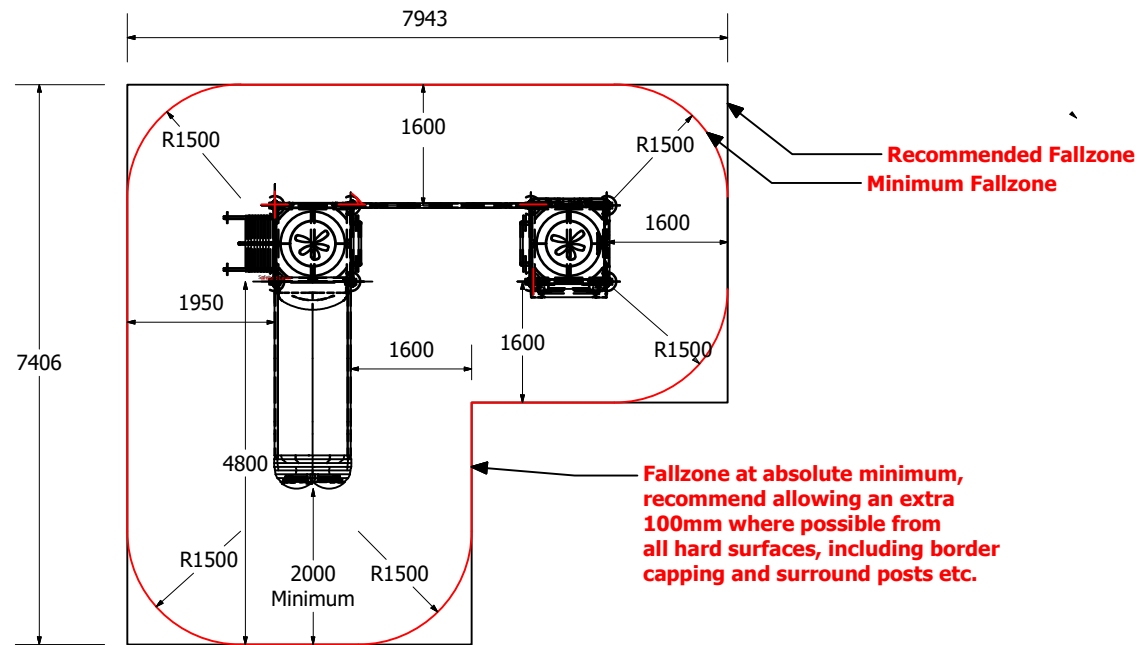


TR303 Trinidad - Metal

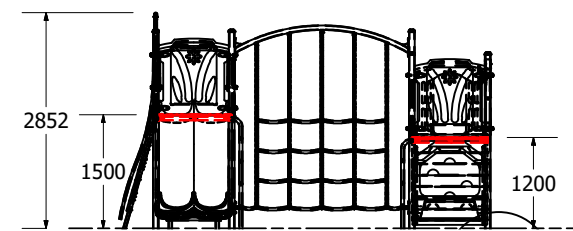
Plan view



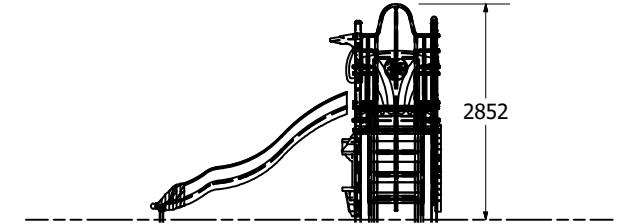
Fallzones



Front Elevation



Right Elevation



Technical Information	
Main Dimension	7943 x 7406
Total Area	47m2
Max FHOF	1860
Heaviest Part	40kg
Compliant to	NZS 5828:2015 AS 4685:2017 EN 1176:2008

REVISION HISTORY			
REV	DESCRIPTION	DATE	BY
0	Creation	19/04/2017	