

TR305 Dartmoor - TP

Front view



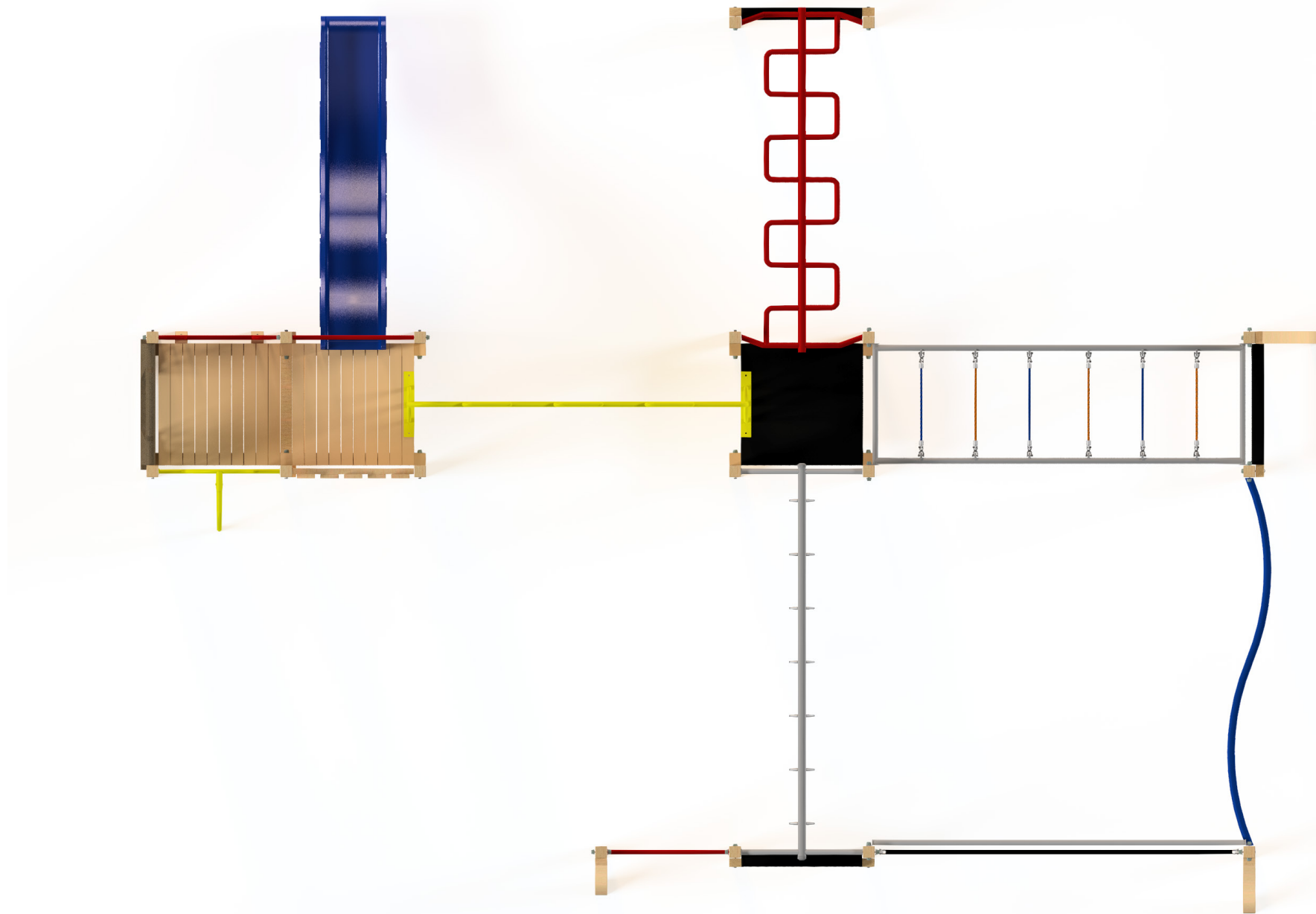
TR305 Dartmoor - TP

Rear view



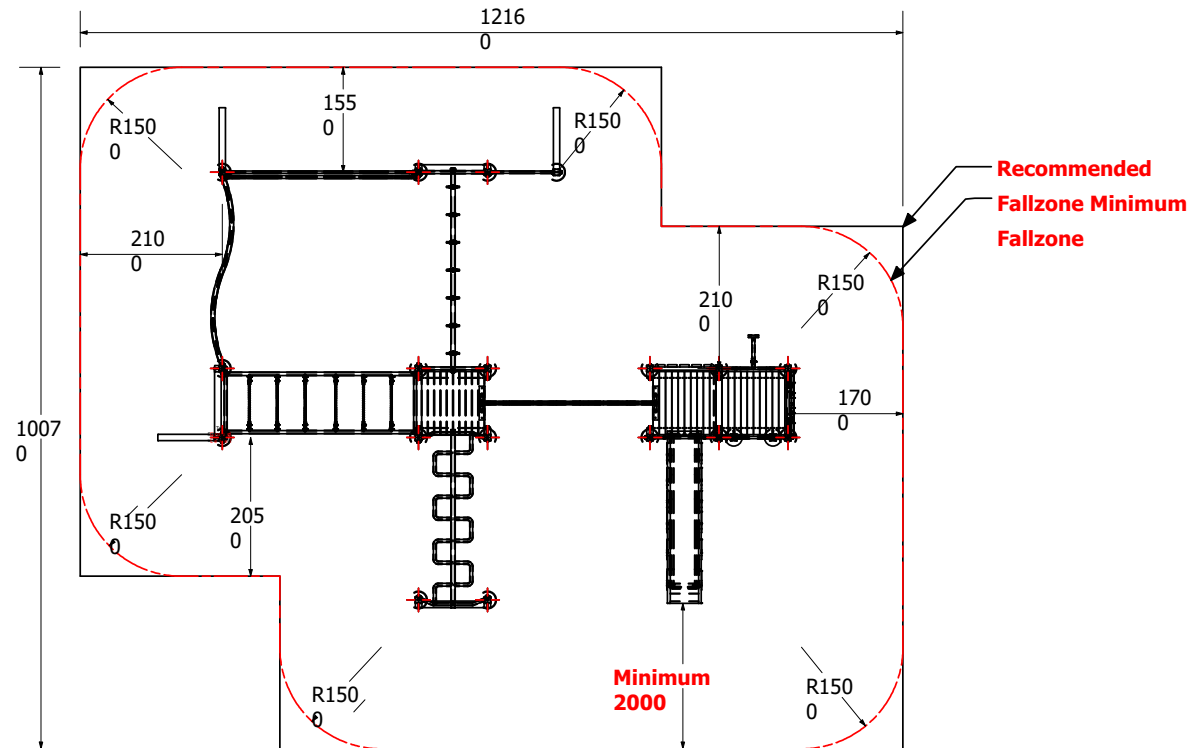
TR305 Dartmoor - TP

Plan view

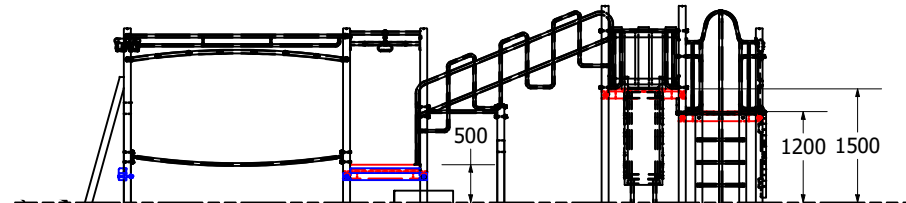


1:100 @ A3

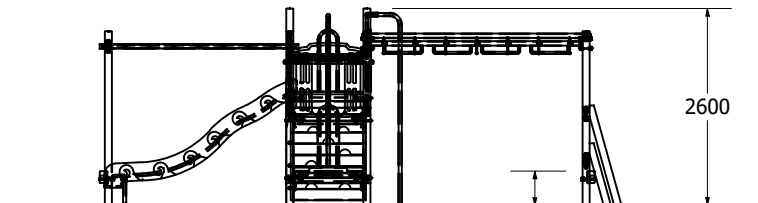
Fallzones



Front Elevation



Right Elevation



Technical Information	
Main Dimension	12160x10070
Total Area	107m ²
Max FHF	2200
Heaviest Part	50kg
Compliant to	NZS 5828:2015 AS 4685:2017 EN 1176:2008

REVISION HISTORY			
REV	DESCRIPTION	DATE	BY
0	Creation	23/03/2018	