

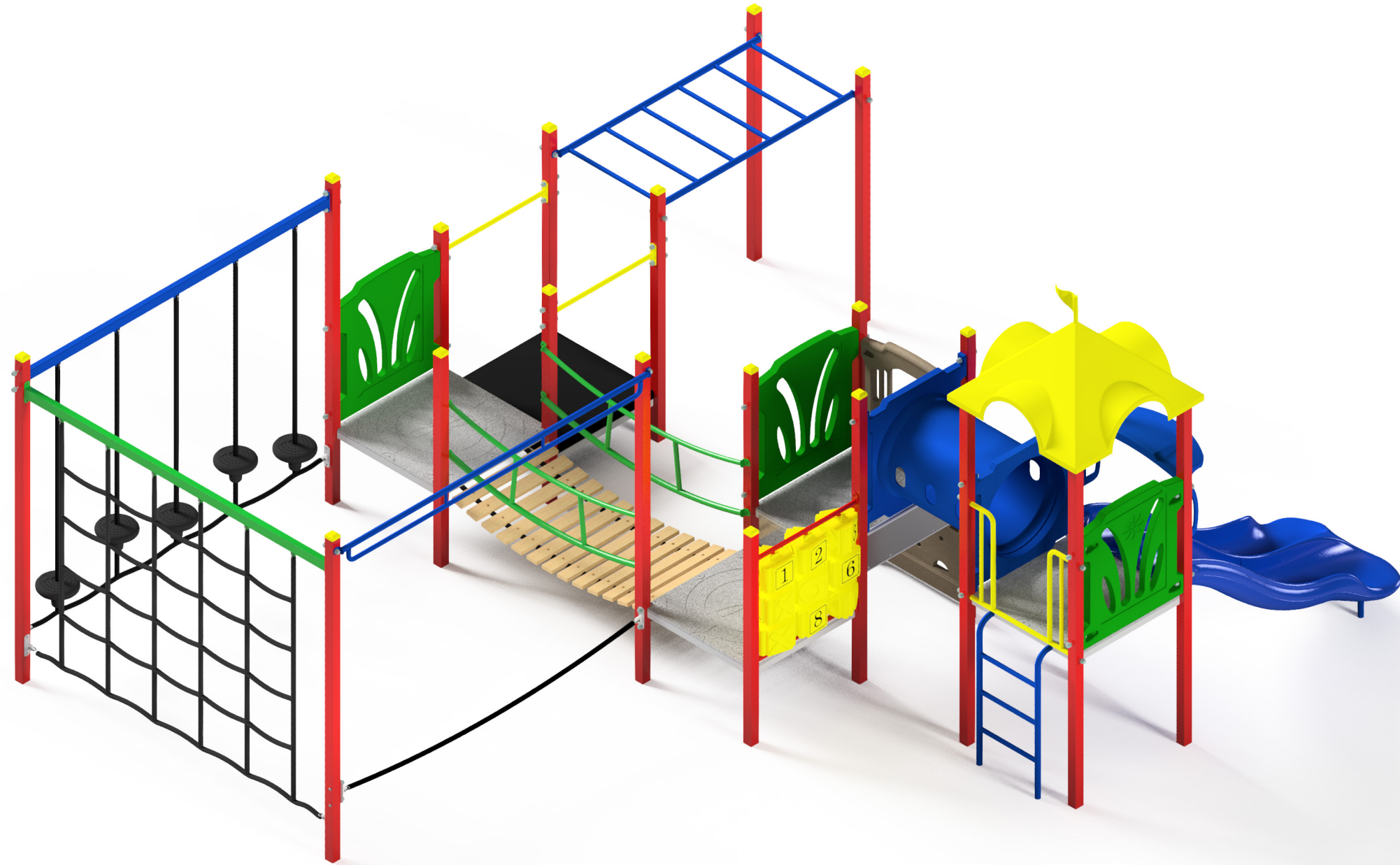
TR324 Marsh - MP

Front view



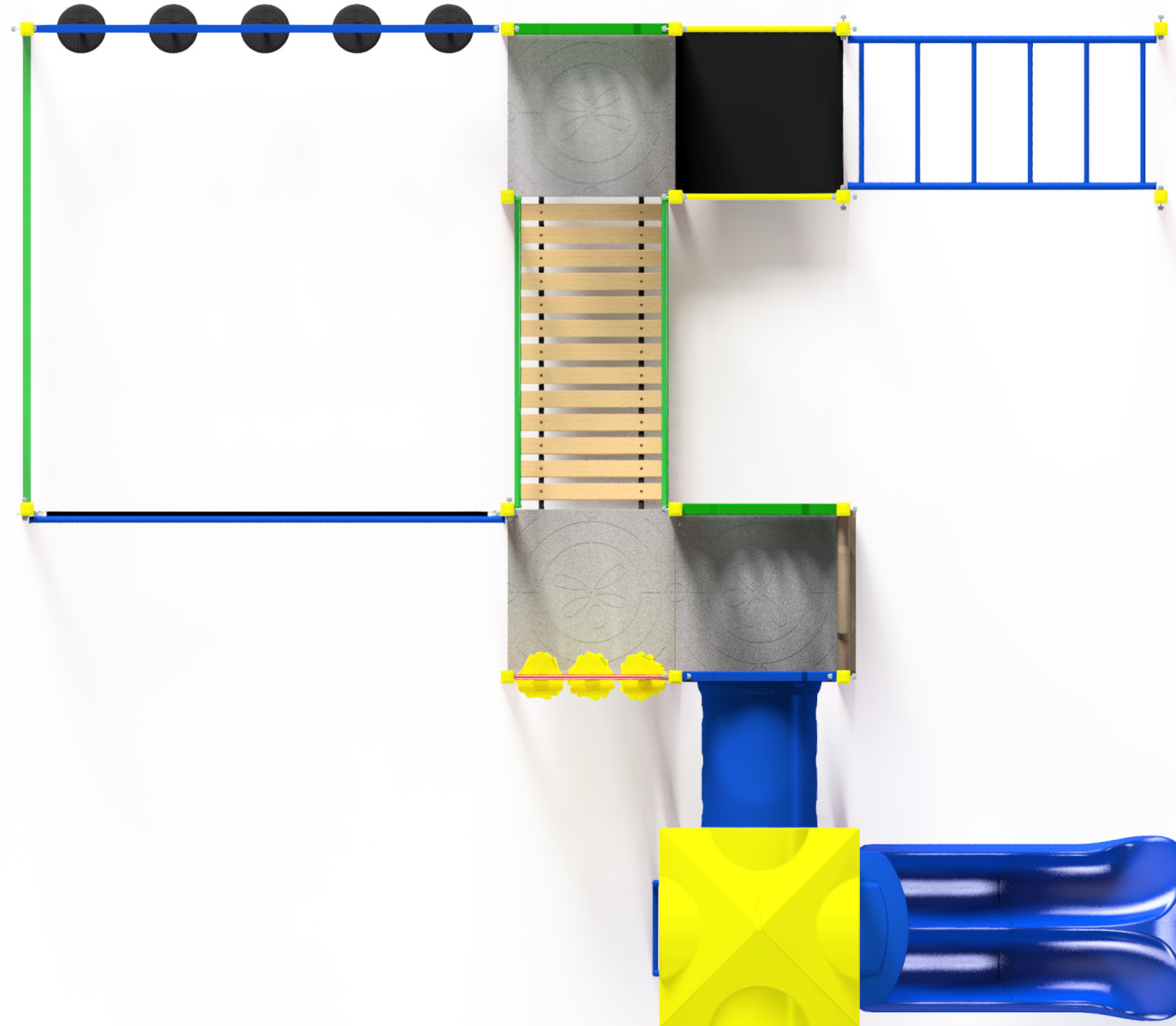
TR324 Marsh - MP

Rear view



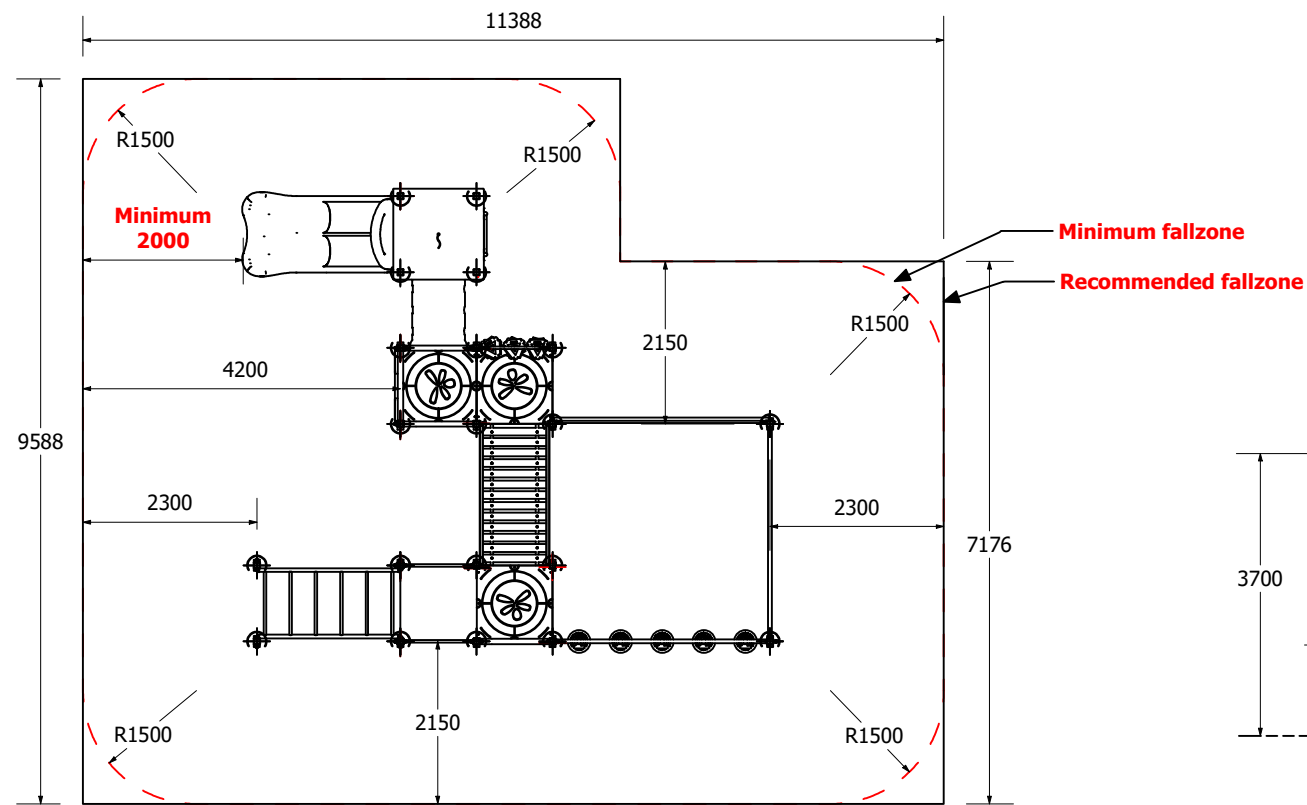
TR324 Marsh - MP

Plan view

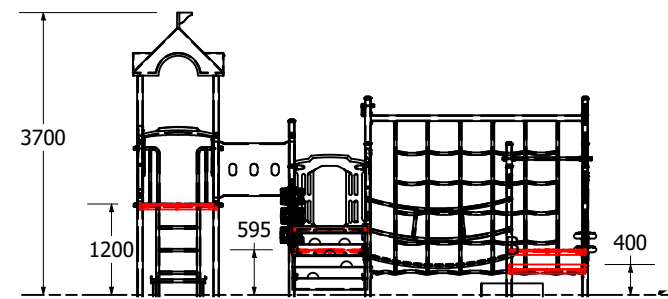


1:100 @ A3

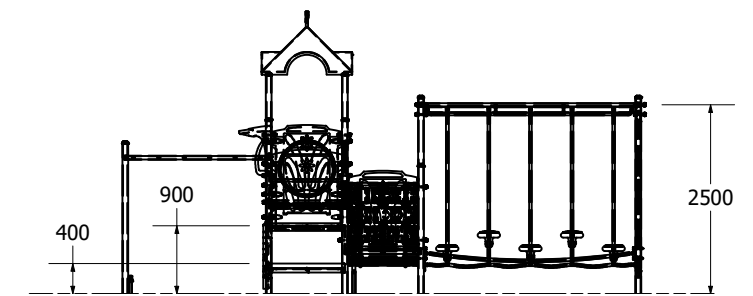
Fallzones



Front Elevation



Right Elevation



Technical Information	
Main Dimension	11388 x 9588
Total Area	99m2
Max FHO	2500
Heaviest Part	70kgs
Compliant to	NZS 5828:2015 AS 4685:2017 EN 1176:2008

REVISION HISTORY			
REV	DESCRIPTION	DATE	BY
0	Creation	12/12/2017	