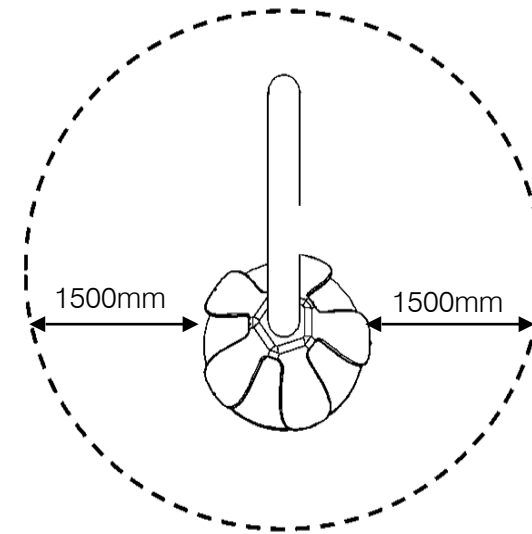
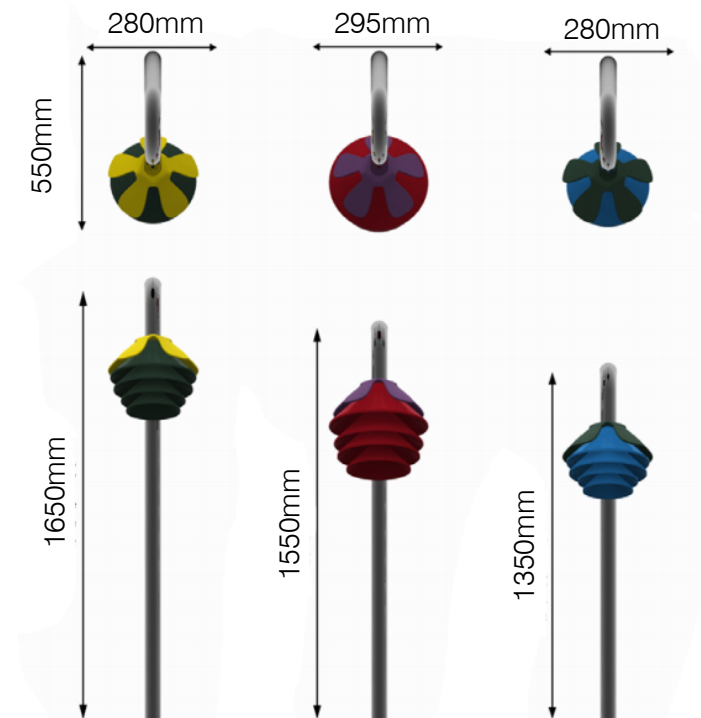


Harmony Bell – Single



Install instrument with 1500mm free space (from widest point) around it. (drawing not to scale)



Technical Information

| | |
|----------------|---|
| Space Required | Ø3295mm |
| Total Area | 8m2 |
| Compliant | NZS 5828:2015 AS 4685:2017 EN 1176:2008 |