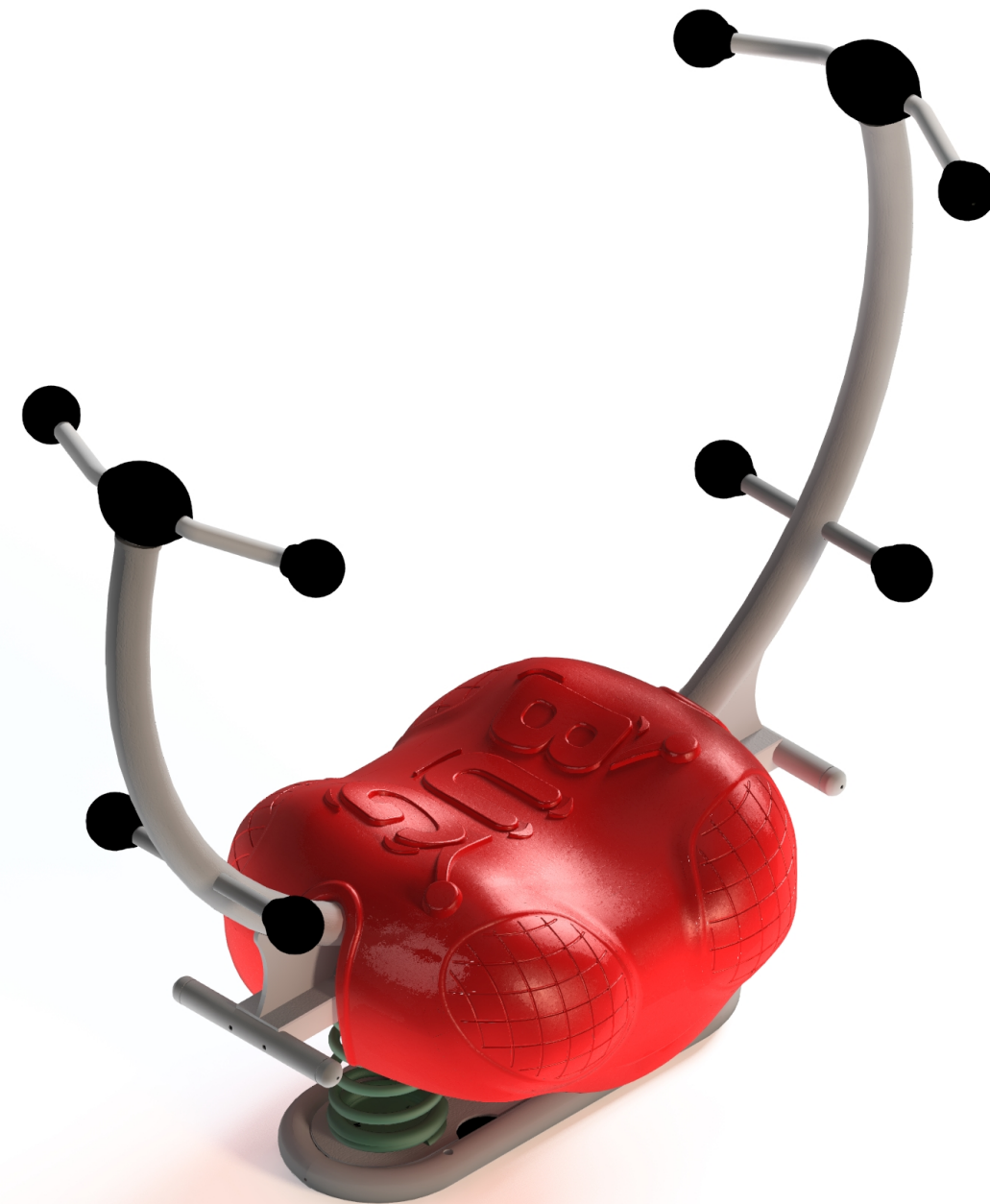


Scorpion Stand Up Seesaw

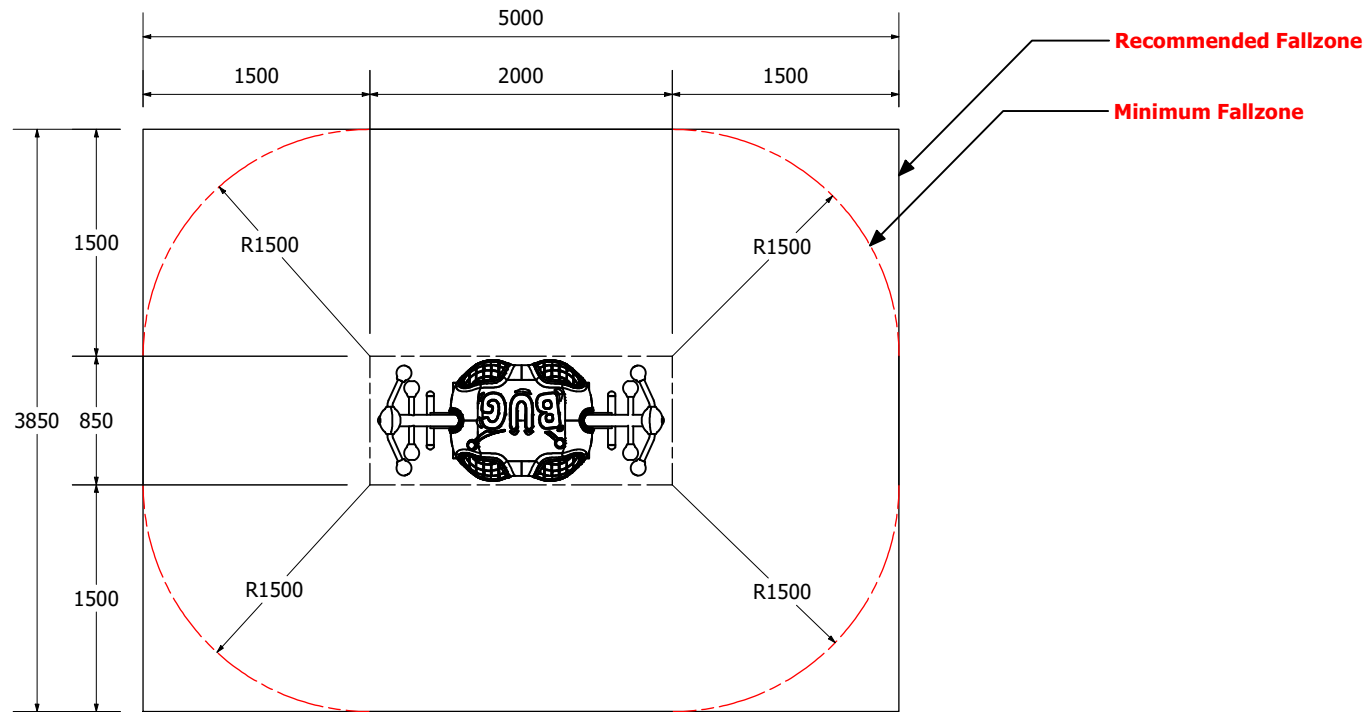
ZCORD Number



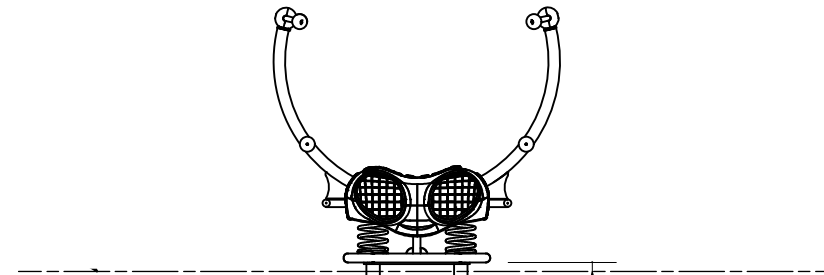
Scorpion Stand Up Seesaw

ZCORD Number

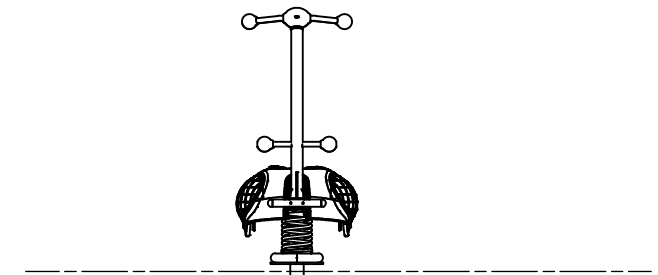
Fallzones



Right Elevation



Front Elevation



Technical Information	
Main Dimension	5000 x 3850
Total Area	20m ²
Max FHOE	1m
Heaviest Part	--kg
Compliant to	NZS 5828:2015 AS 4685:2017 EN 1176:2008

REVISION HISTORY			
REV	DESCRIPTION	DATE	BY
0	Creation	6/11/2020	Sam