

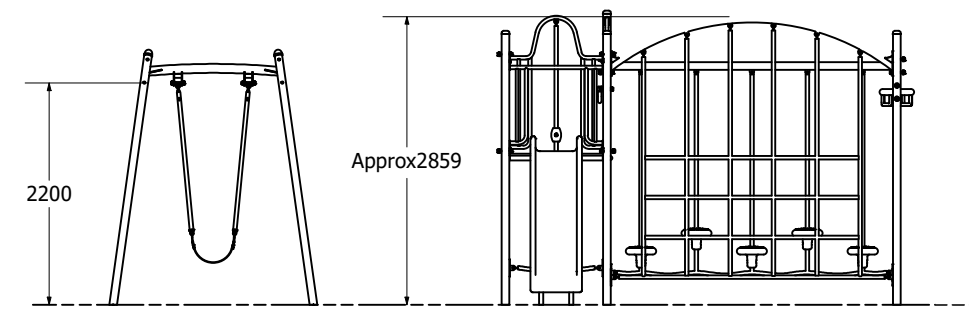
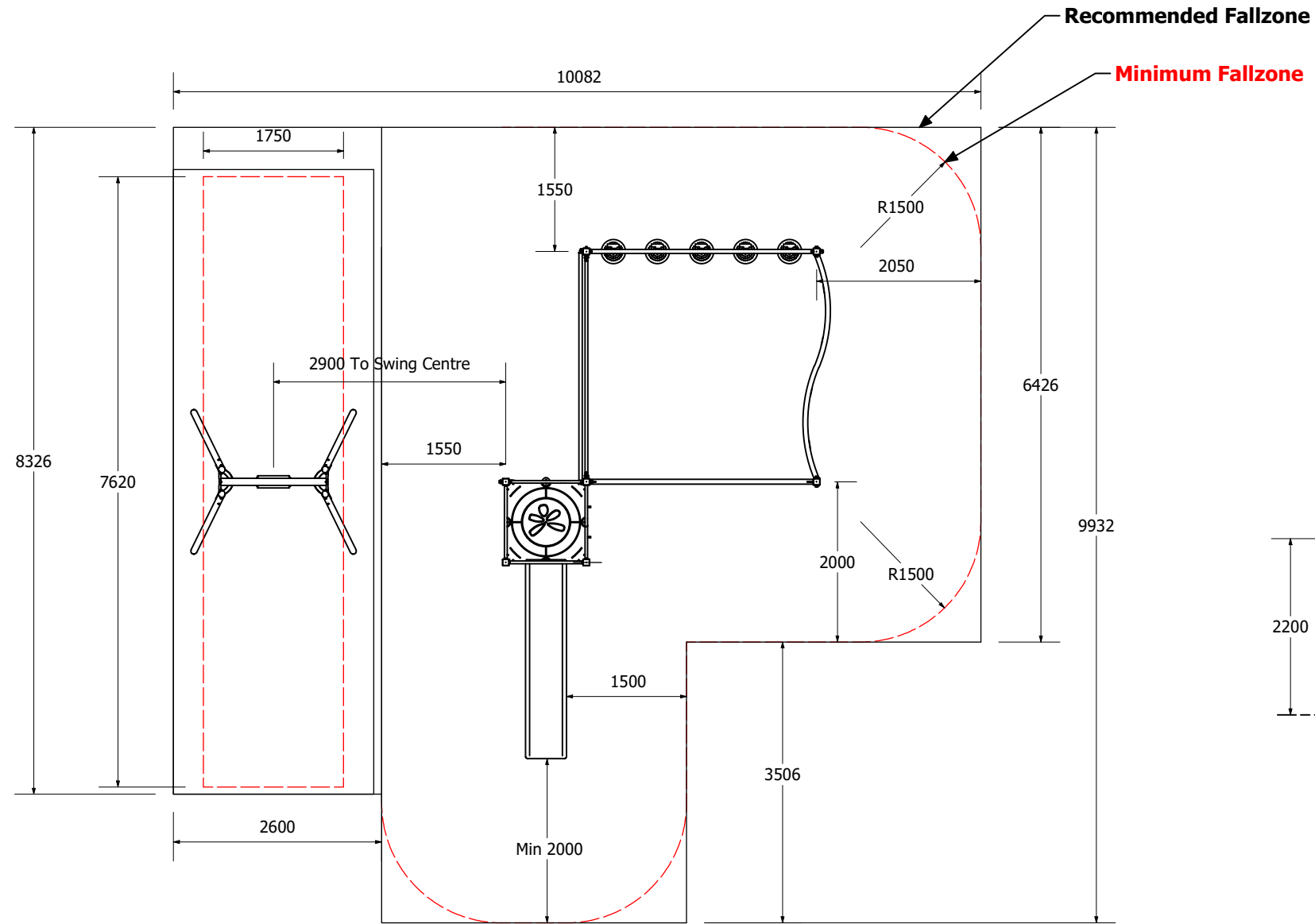
MOMP338



MOMP338



MOMP338



Technical Information	
Main Dimension	10.1m x 10m
Total Area	approx 100m ²
Max FHO	2200mm
Heaviest Part	
Compliant to	NZS 5828:2015 AS 4685:2017 EN 1176:2008