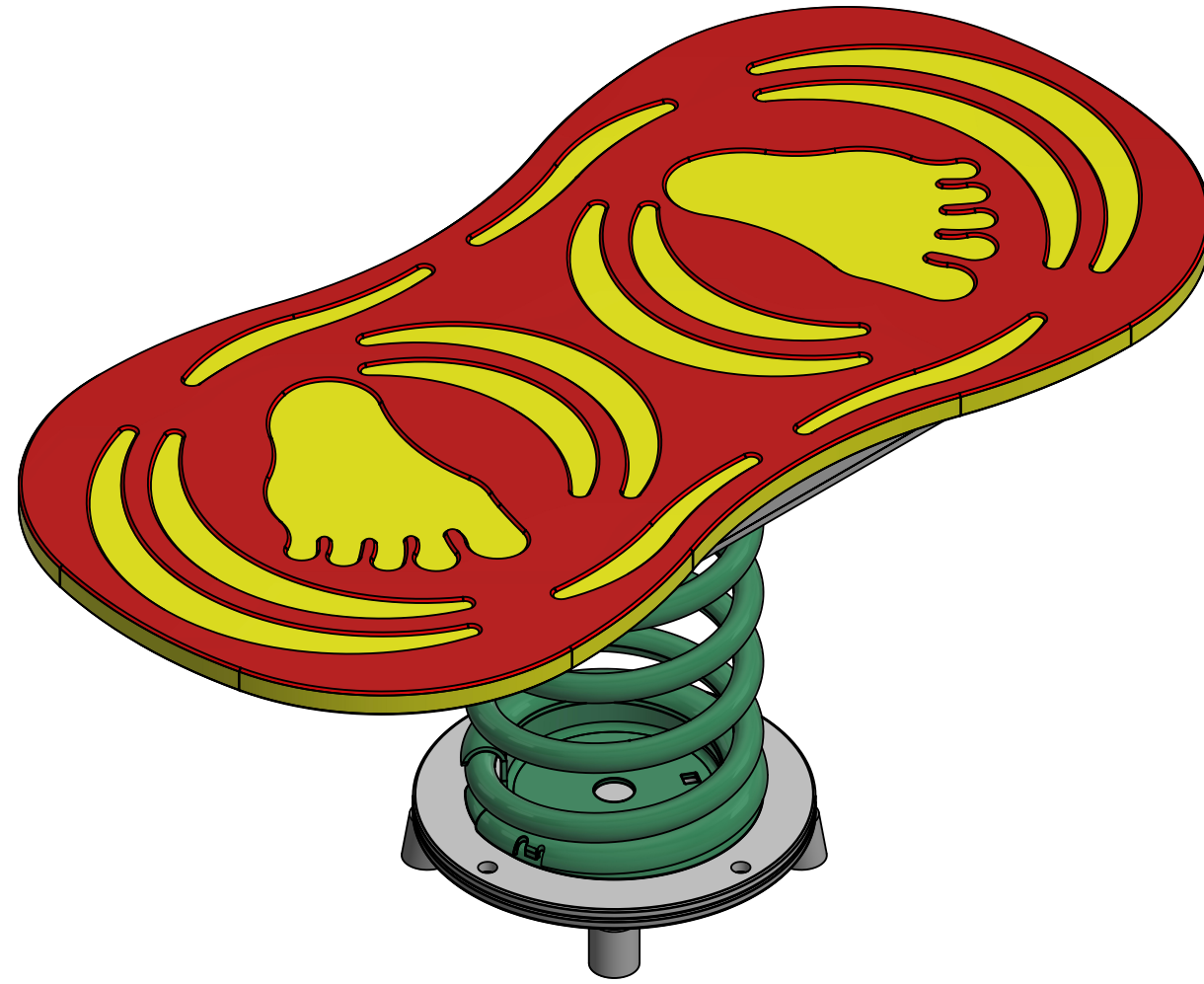
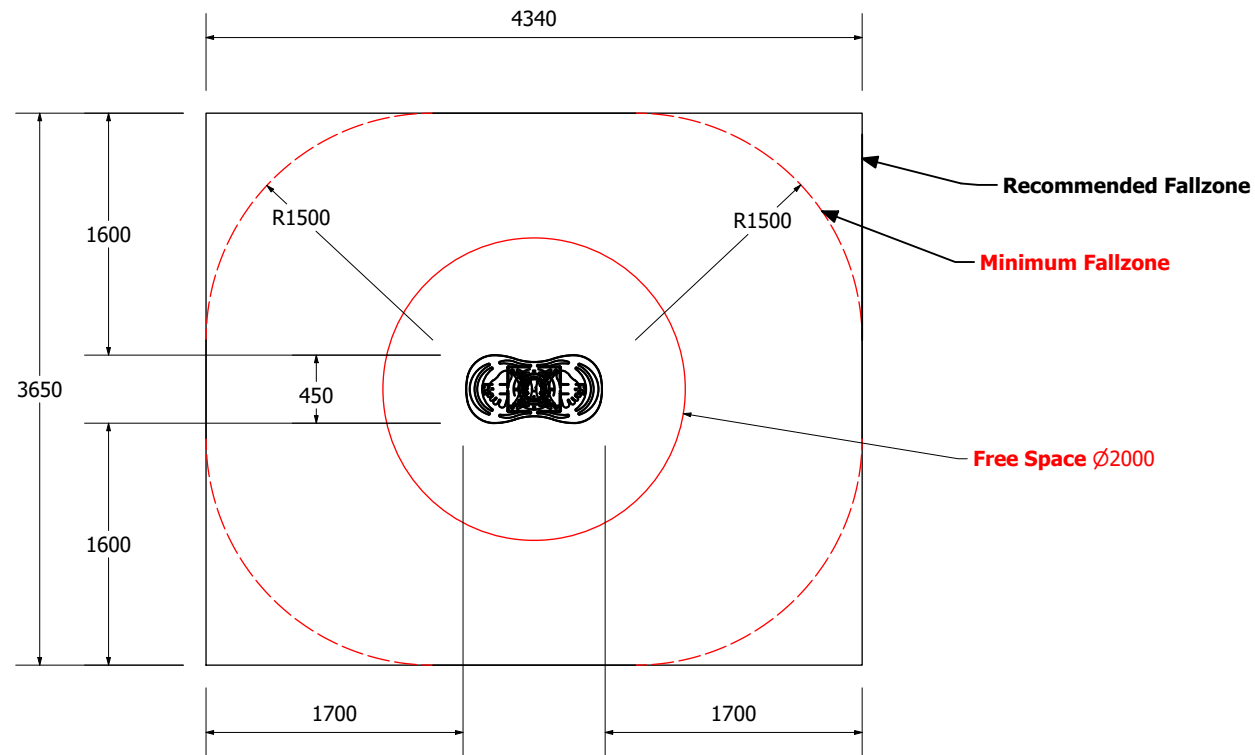


Junior Skater



1:50 @ A3

Fallzones

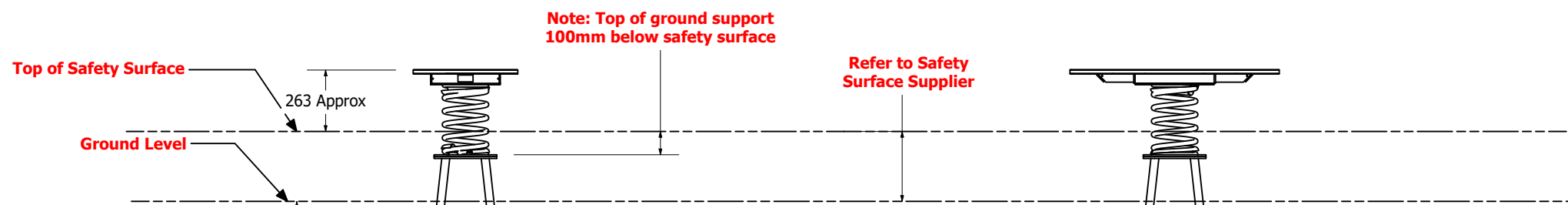


Loosefill - Bark and Cushionfall Application

1:25 @ A3

Front Elevation

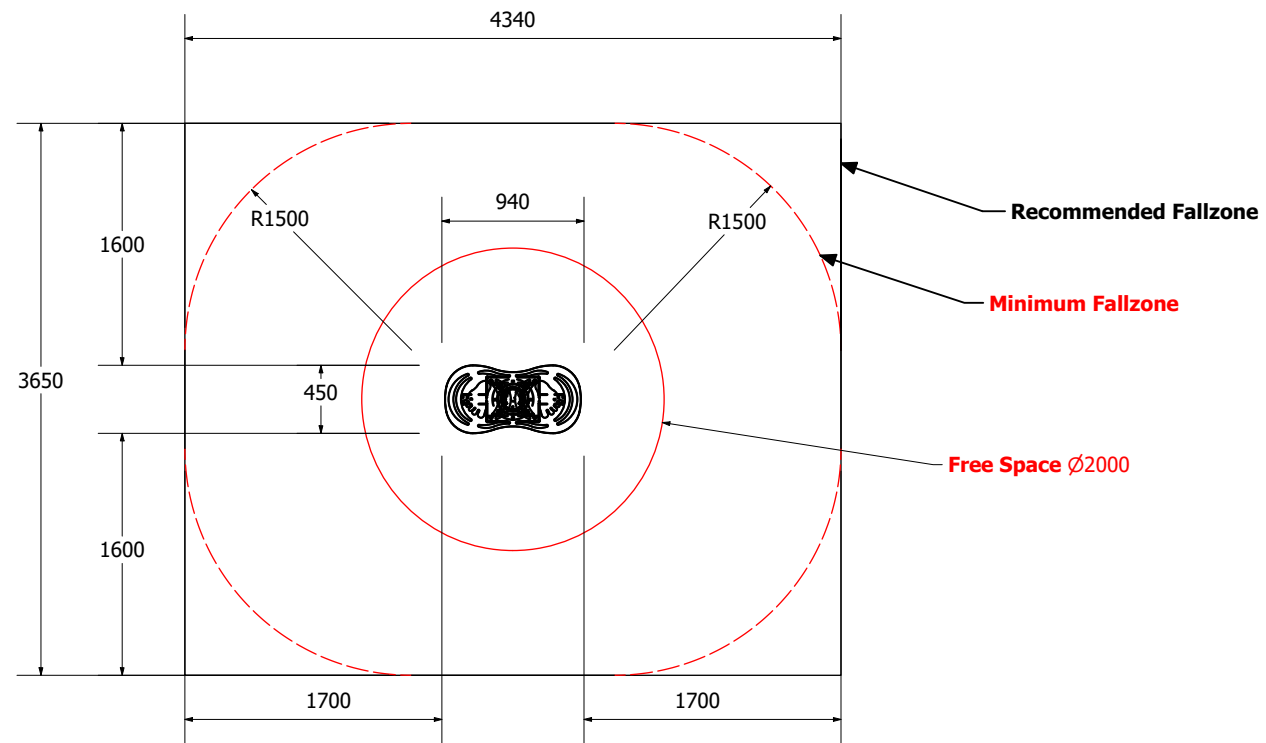
Right Elevation



Technical Information	
Main Dimension	4340 x 3650
Total Area	16m ²
Max FHO	1m
Heaviest Part	8kg
Compliant to	NZS 5828:2015 AS 4685 (series) EN 1176:2008

REVISION HISTORY			
REV	DESCRIPTION	DATE	BY
1	Creation	24/09/2020	Sam
2	Changed Fallzone to meet AU Standards	27/5/2021	HS

Fallzones



Synthetic - Matting Application 1:25 @ A3

Right Elevation

Front Elevation

