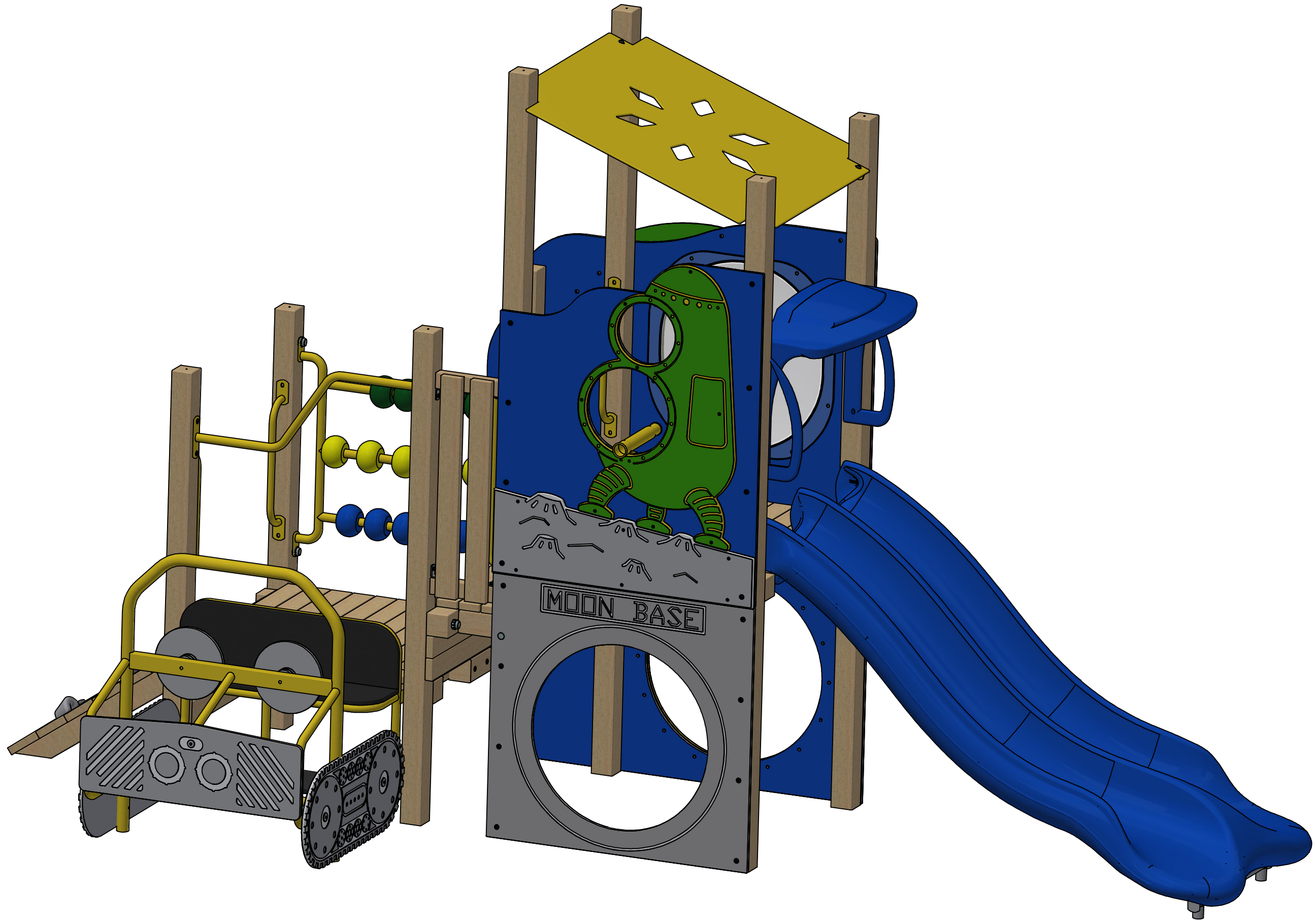
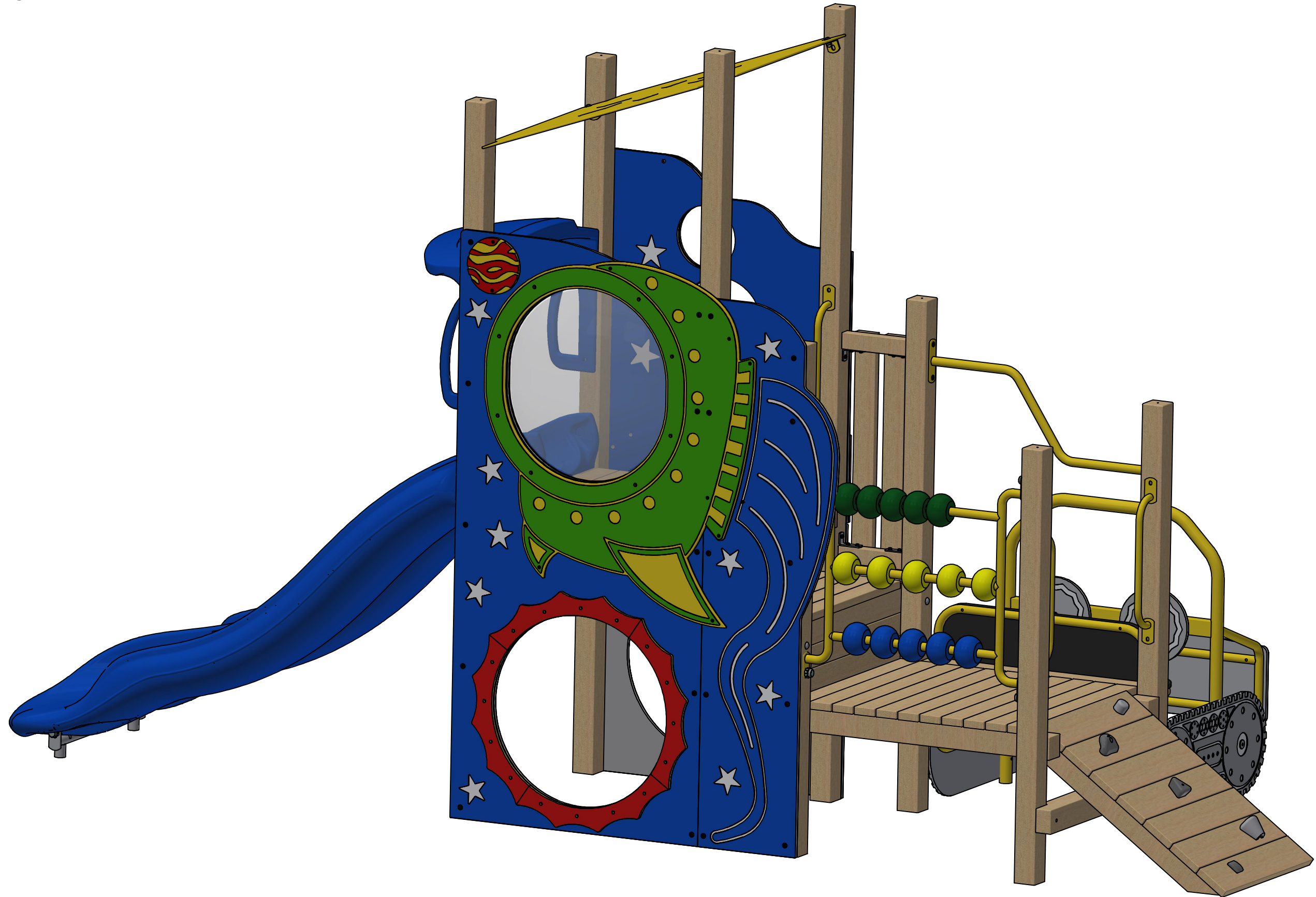


Toddler Series 166 Moon Base



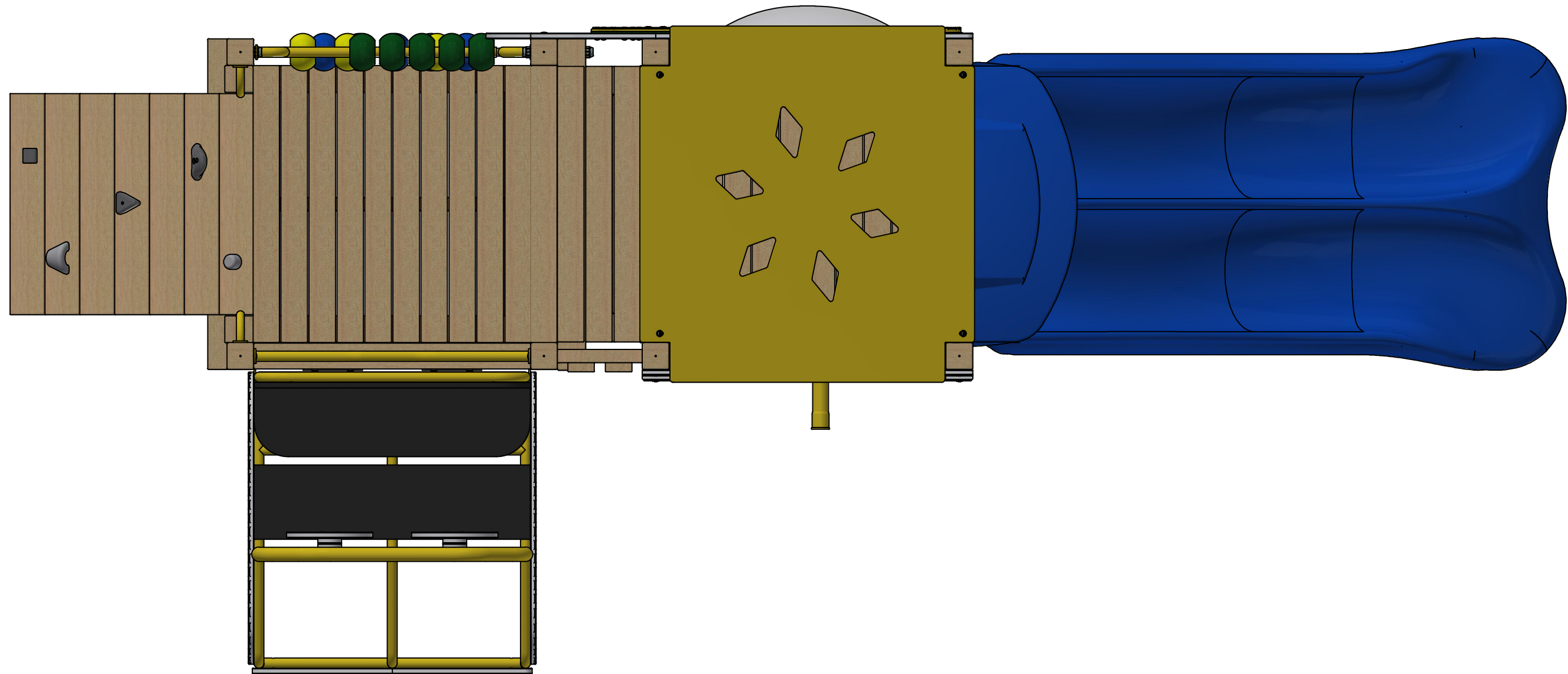
Toddler Series 166 Moon Base

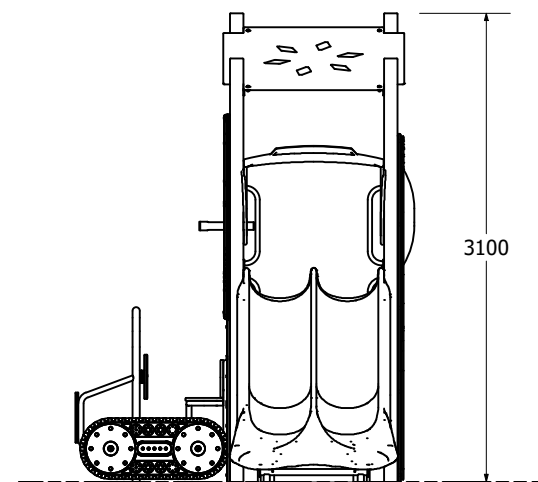
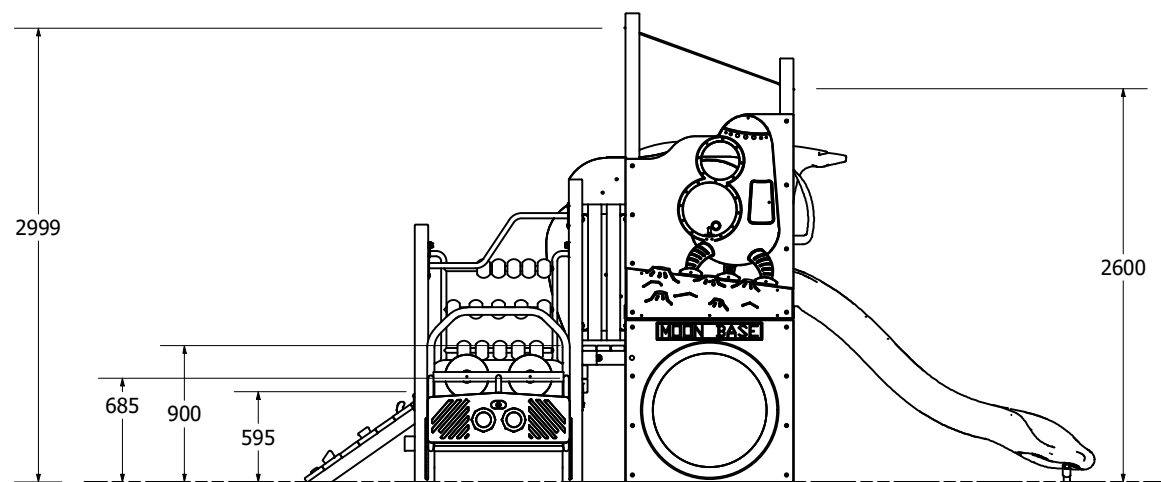
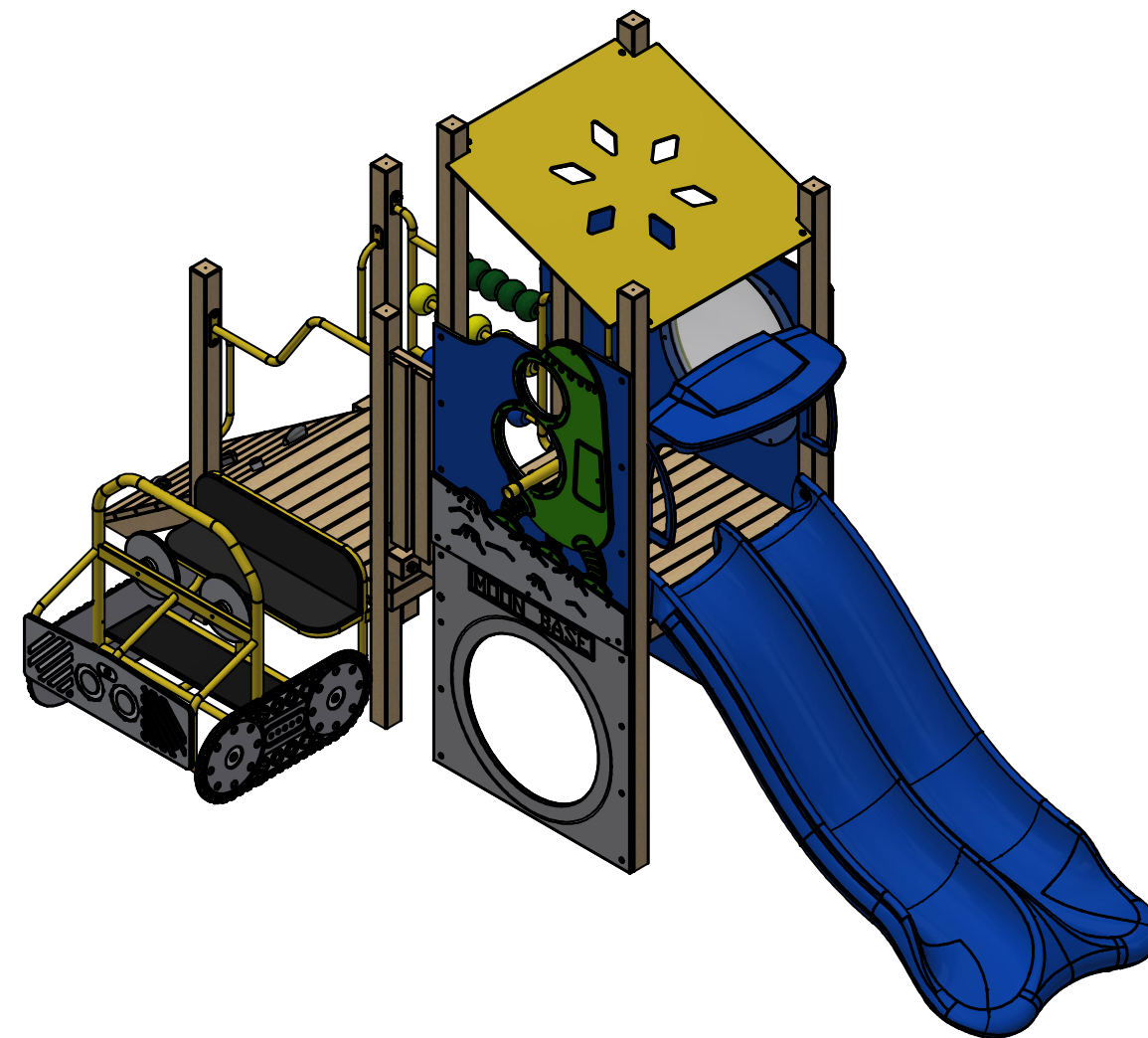
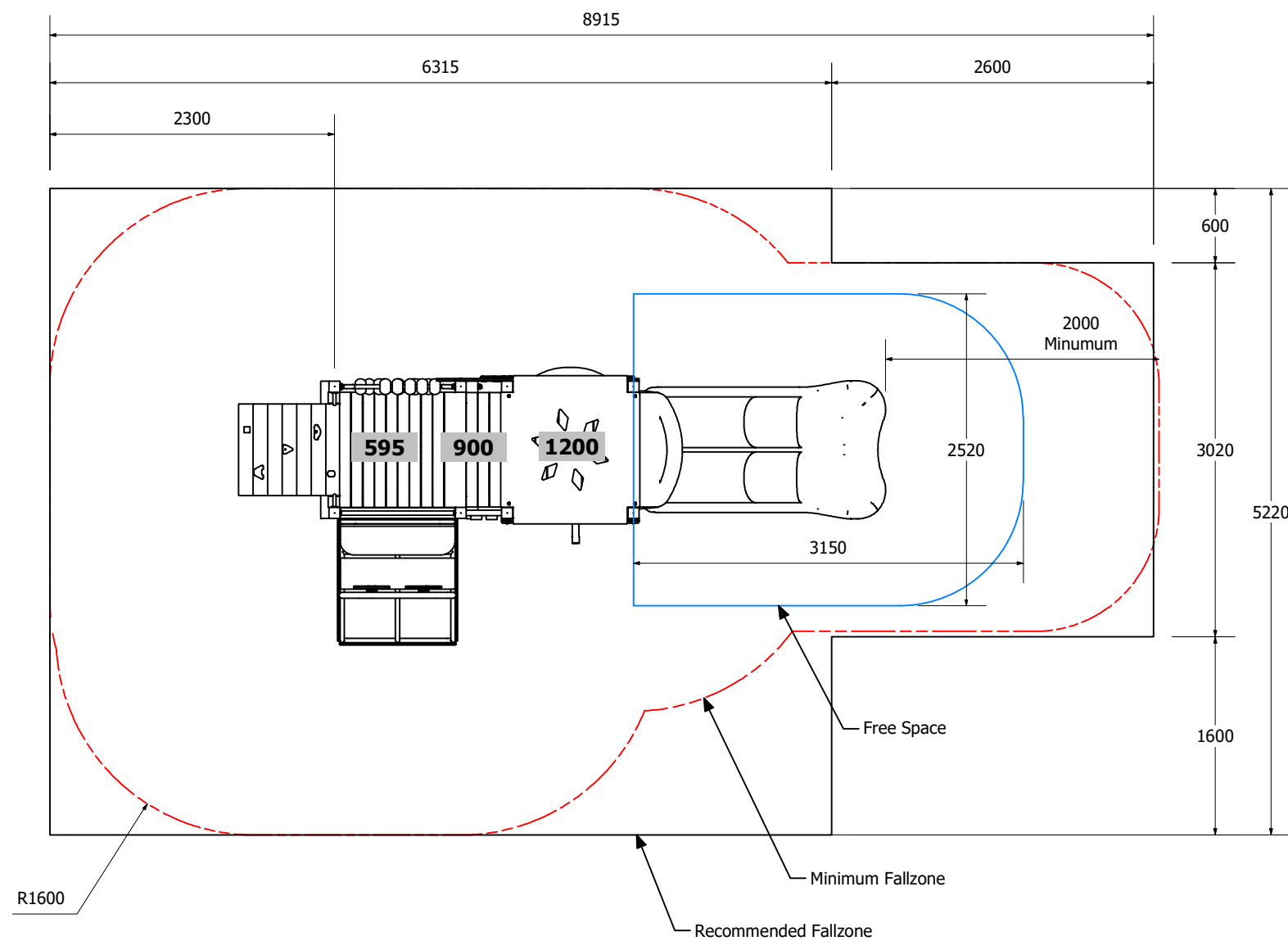
1 : 15 @ A3



Toddler Series 166 Moon Base

1 : 15 @ A3





Technical Information	
Main Dimension	8915 x 5220mm
Total Area	47m2
Max FHO	1200mm
Heaviest Part	N/A
Compliant to	NZS 5828:2015 AS 4685:2017 EN 1176:2008

REVISION HISTORY			
REV	DESCRIPTION	DATE	BY
0	Creation	27/03/2024	Joel
A	Added uniboard infill sheet & updated parts list	10/04/2024	Joel
B	Remove Crawl Tunnel	27/01/2025	Barry