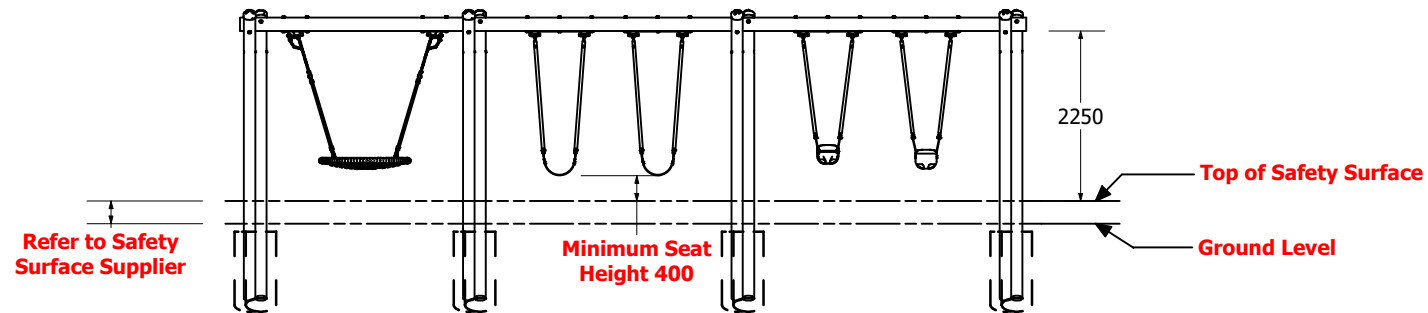
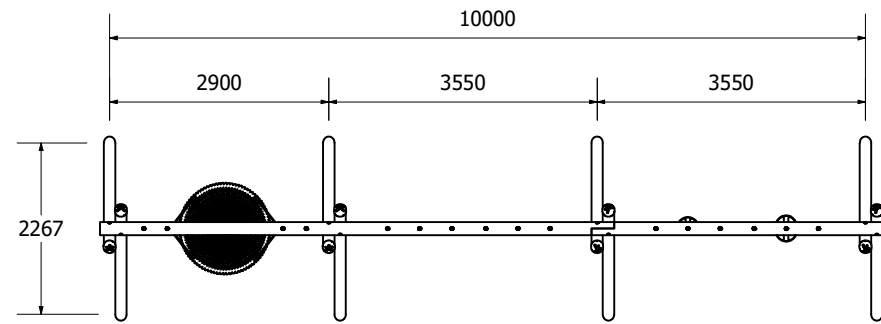


# Wobbly Wood (6 Bay) Basket Swing - 2 VR - 1 TWC - 1 INF

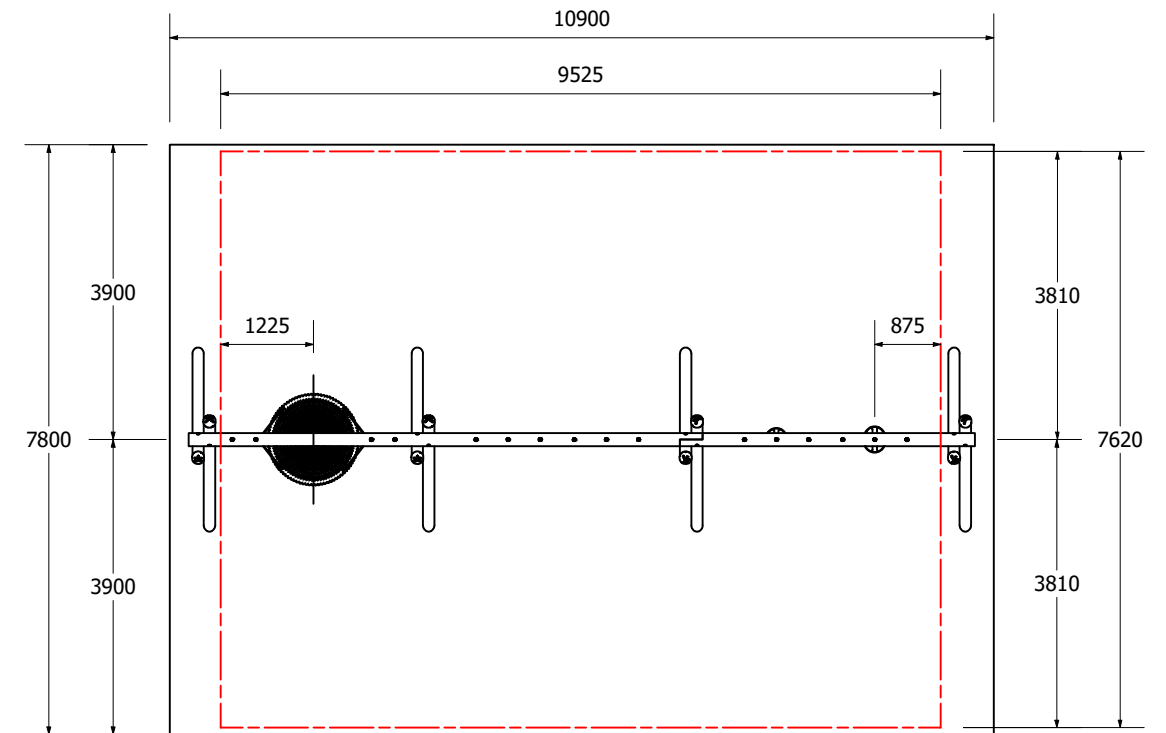



1:100 @ A3

### DIMENSIONS AT GROUND LEVEL



### FALLZONE



Technical Information	
Legend - 6 Bay Basket Swing 2200	
	Suggested Fall Zone
	Minimum Fall Zone As Per AS4685:2014/ NZS5828:2015
	Flush With Safety Surface/ No Obstacles
Free Height Of Fall : 1300mm	
NOTE MINIMUM FALL ZONES CALCULATED OFF MINIMUM SEAT HEIGHT	
Heaviest Part	150kg

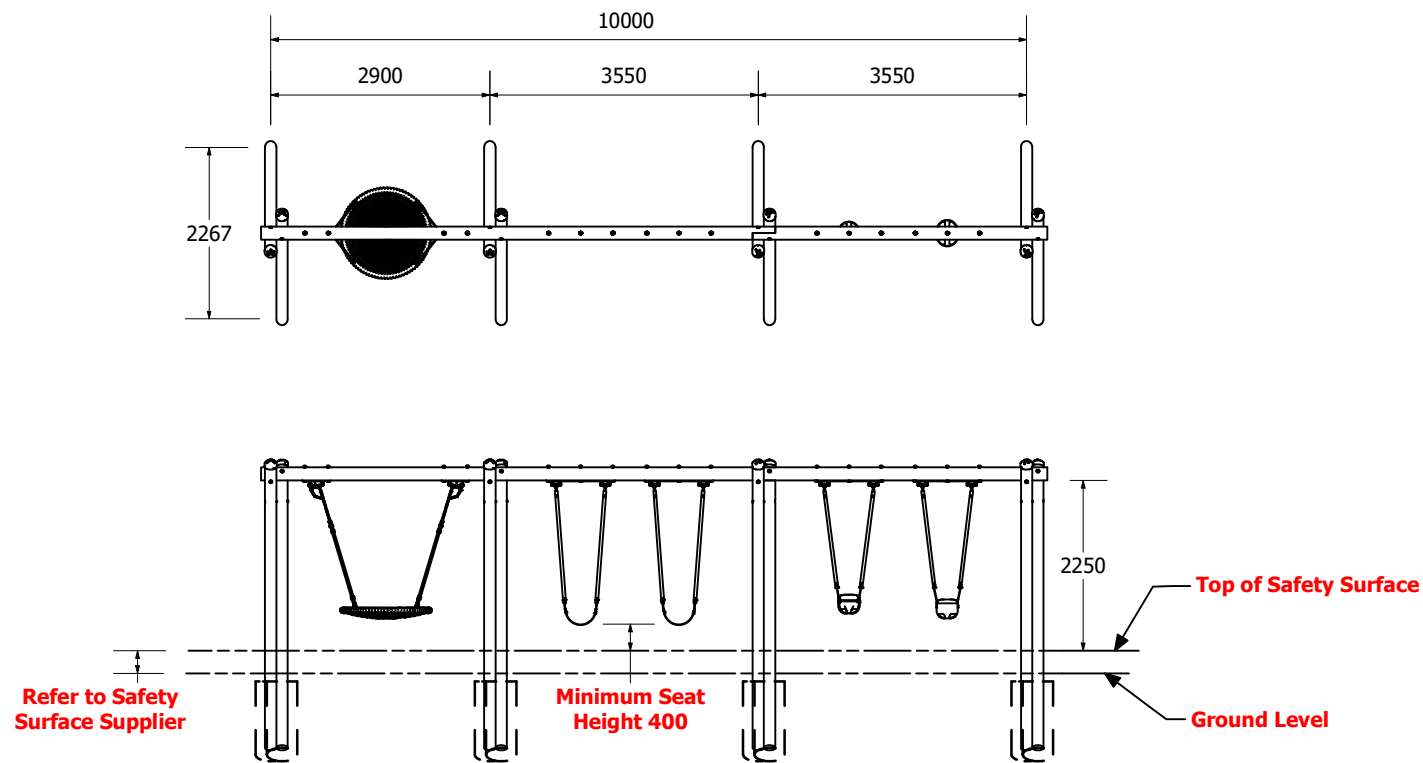
REVISION HISTORY			
REV	DESCRIPTION	DATE	BY
1	Update	11/07/2019	

# Wobbly Wood (6 Bay) Basket Swing - 2 VR - 1 TWC - 1 INF

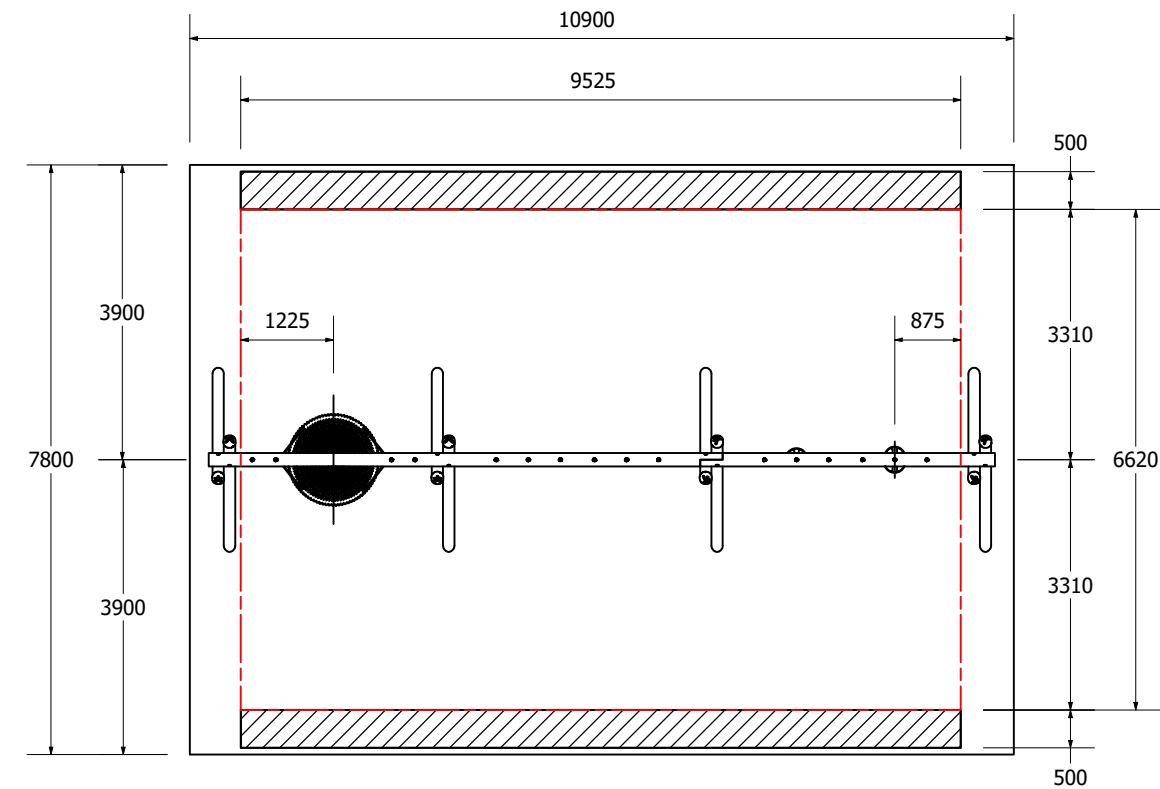
Fallzones for Synthetic Surface Applications

1:100 @ A3

## DIMENSIONS AT GROUND LEVEL



## FALLZONE



Technical Information	
Legend - 6 Bay Basket Swing 2200	
	Suggested Fall Zone
	Minimum Fall Zone As Per AS4685:2014/ NZS5828:2015
	Flush With Safety Surface/ No Obstacles
Free Height Of Fall : 1300mm	
NOTE MINIMUM FALL ZONES CALCULATED OFF MINIMUM SEAT HEIGHT	
Heaviest Part	150kg