

Wobbly Wood Double Frame

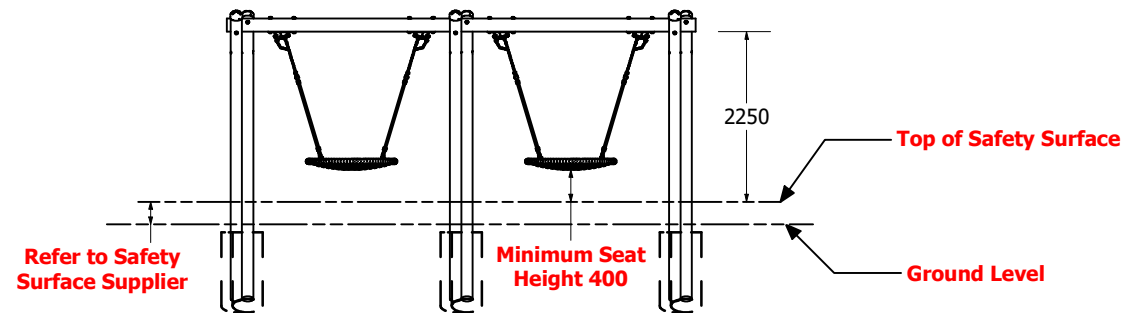
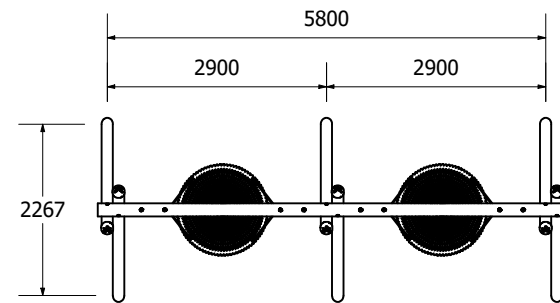


Wobbly Wood Double Frame

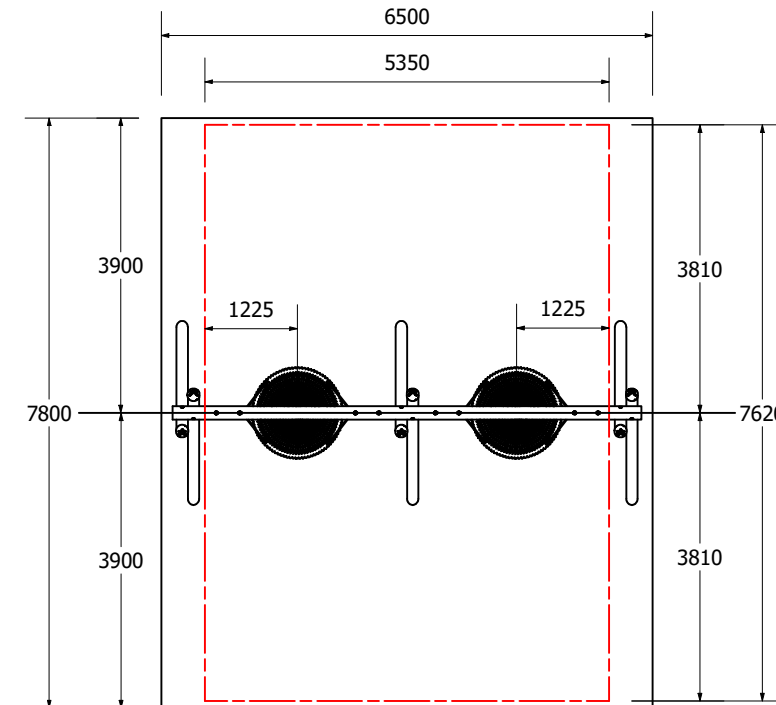
Fallzone for loose fill application

1:100 @ A3

DIMENSIONS AT GROUND LEVEL



FALLZONE



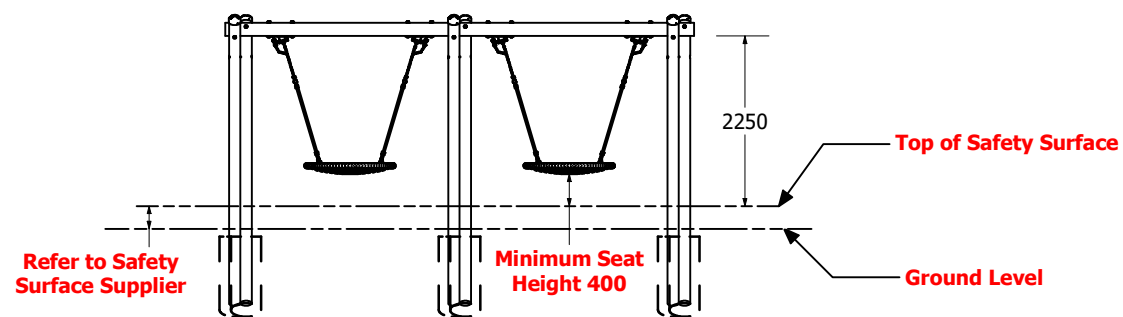
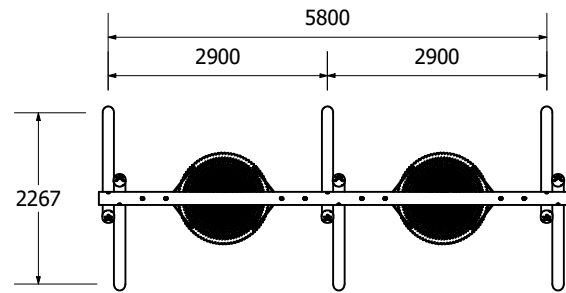
Technical Information	
Legend - Timber Double Basket Frame	
	Suggested Fall Zone
	Minimum Fall Zone As Per AS4685:2014/ NZS5828:2015
	Flush With Safety Surface/ No Obstacles
Free Height Of Fall : 1300mm	
NOTE MINIMUM FALL ZONES CALCULATED OFF MINIMUM SEAT HEIGHT	
Heaviest Part	120kg

Wobbly Wood Double Frame

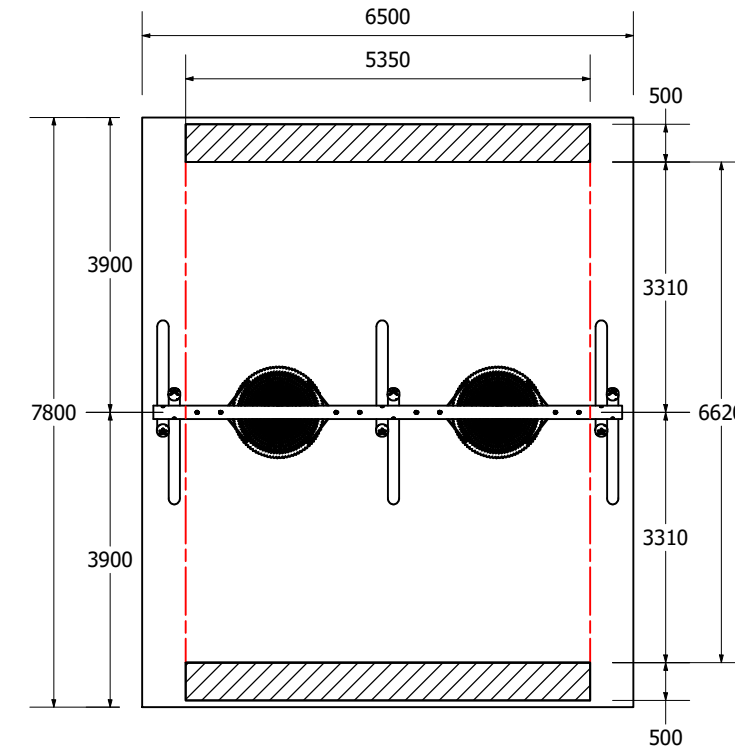
Fallzone for synthetic surface application

1:100 @ A3

DIMENSIONS AT GROUND LEVEL



FALLZONE



Technical Information	
Legend - Timber Double Basket Frame	
	Suggested Fall Zone
	Minimum Fall Zone As Per AS4685:2014/ NZS5828:2015
	Flush With Safety Surface/ No Obstacles
Free Height Of Fall : 1300mm	
NOTE MINIMUM FALL ZONES CALCULATED OFF MINIMUM SEAT HEIGHT	
Heaviest Part	120kg

REVISION HISTORY			
REV	DESCRIPTION	DATE	BY
0	Creation	5/07/2019	