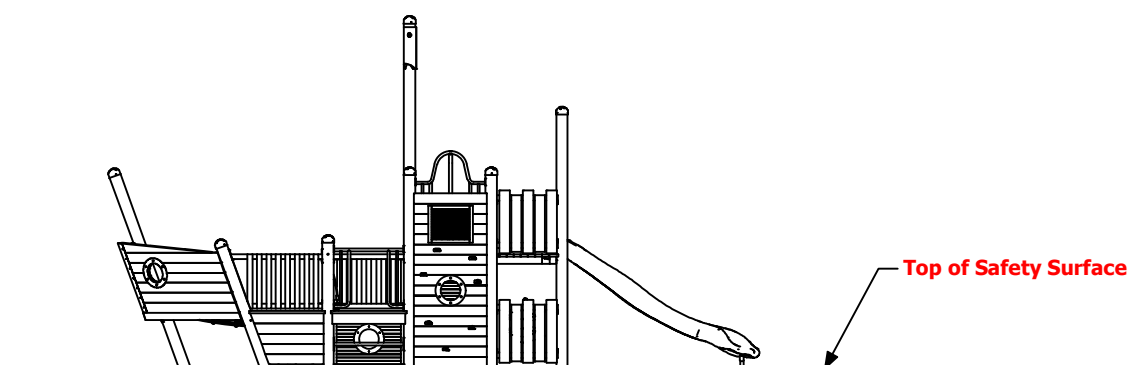
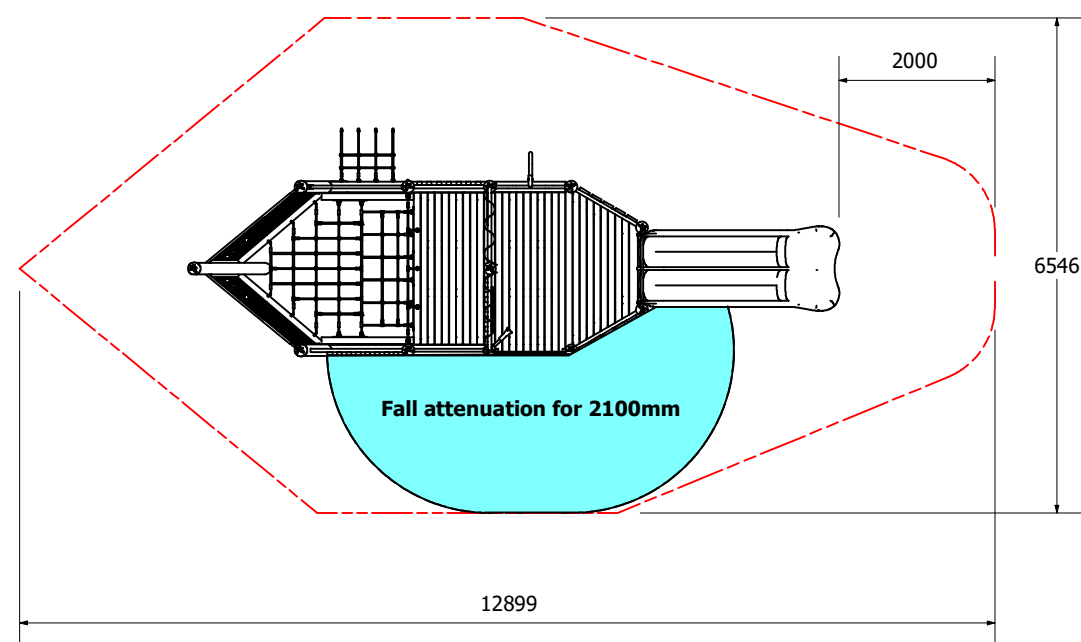


1:100 @ A3



Technical Information	
Main Dimension	12899mm x 6546mm
Total Area	61m ²
Max FHO	2300mm
Heaviest Part	
Compliant to	NZS 5828:2015 AS 4685:(series) EN 1176:2008

1:100 @ A3

