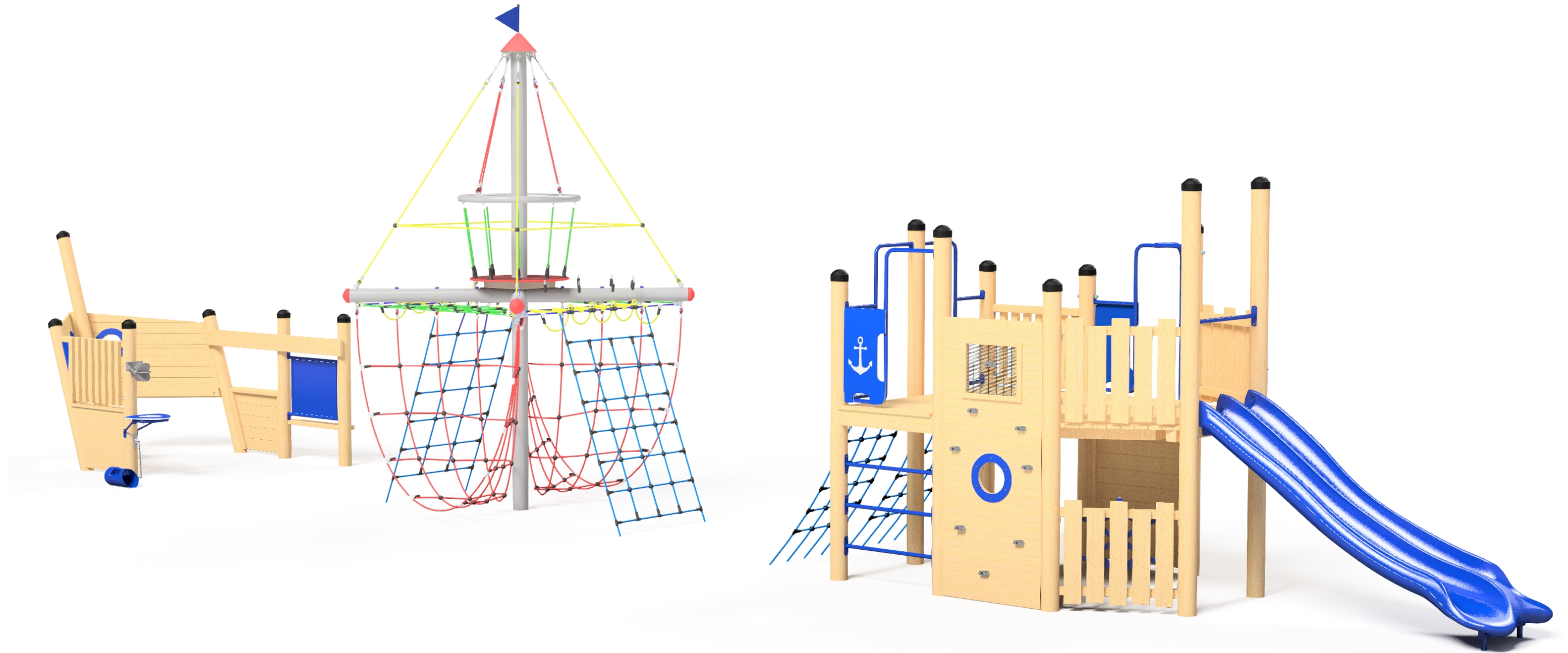
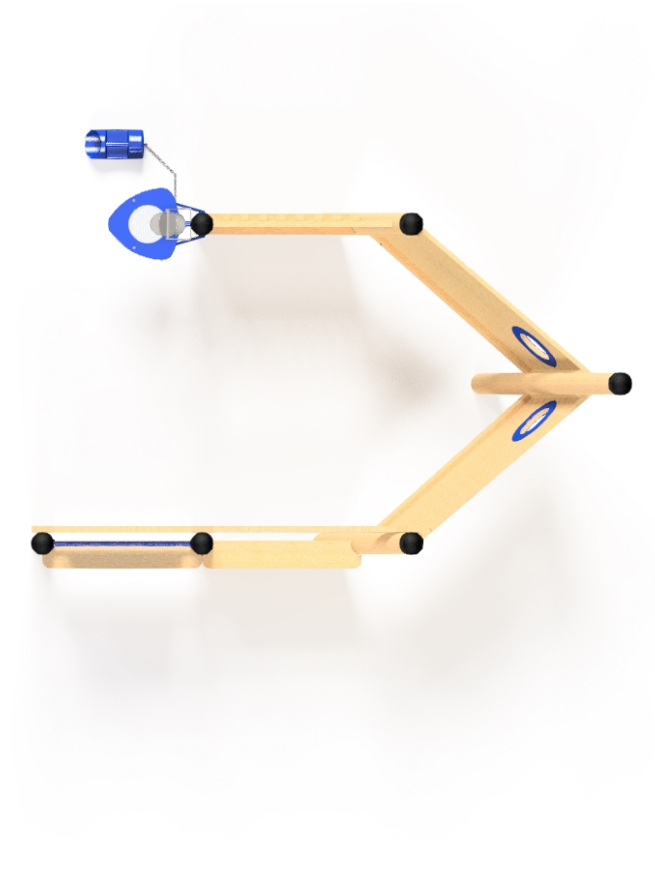
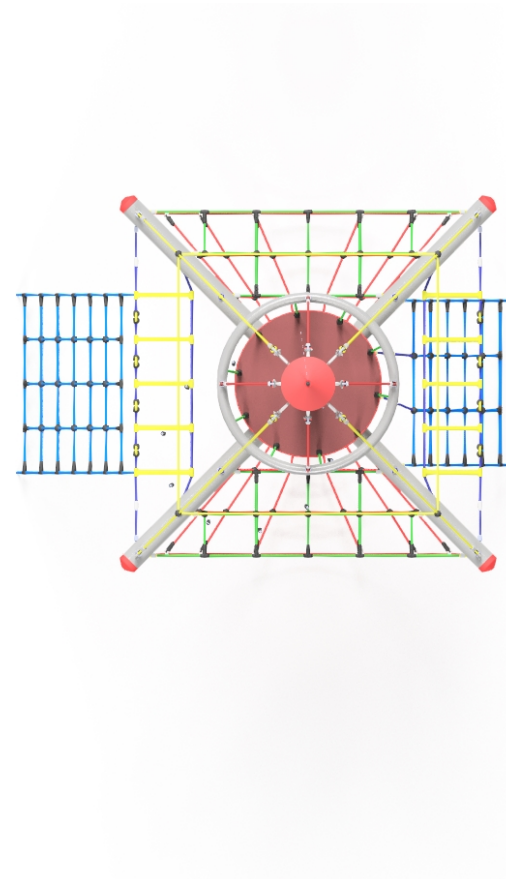
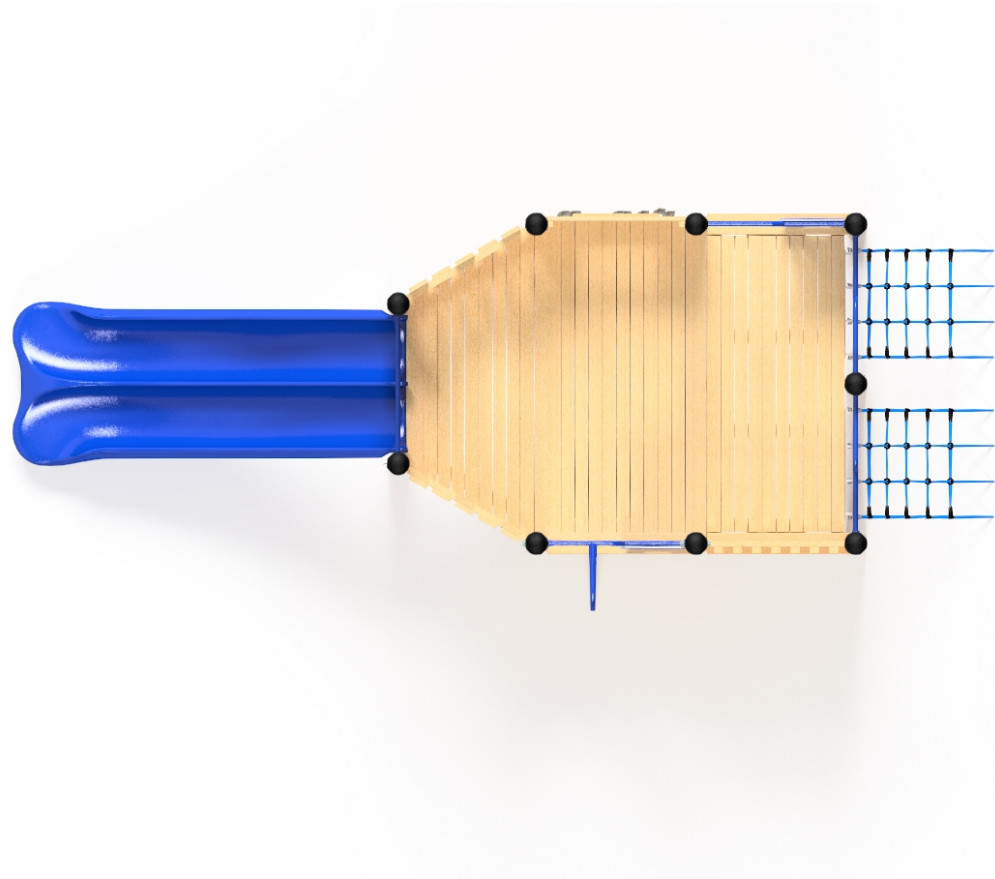
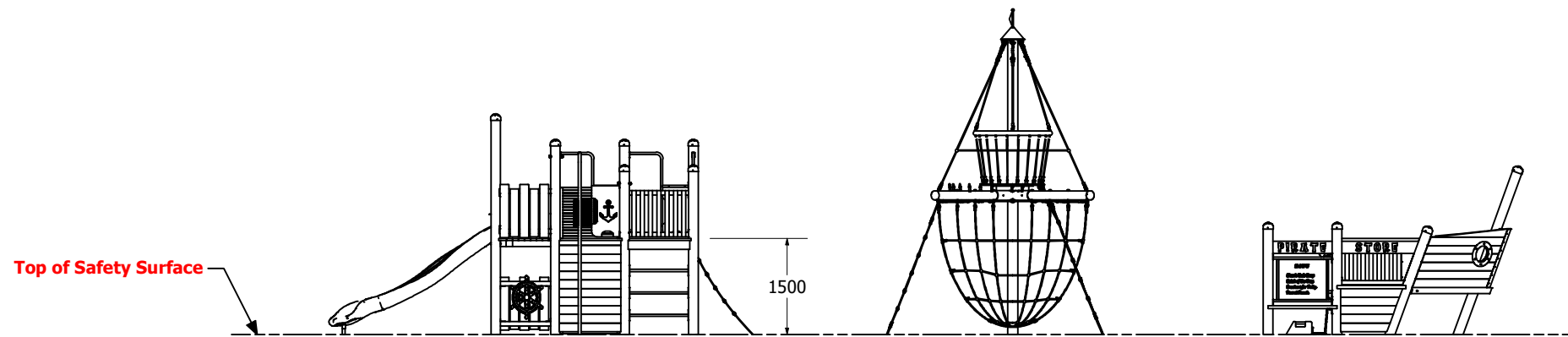
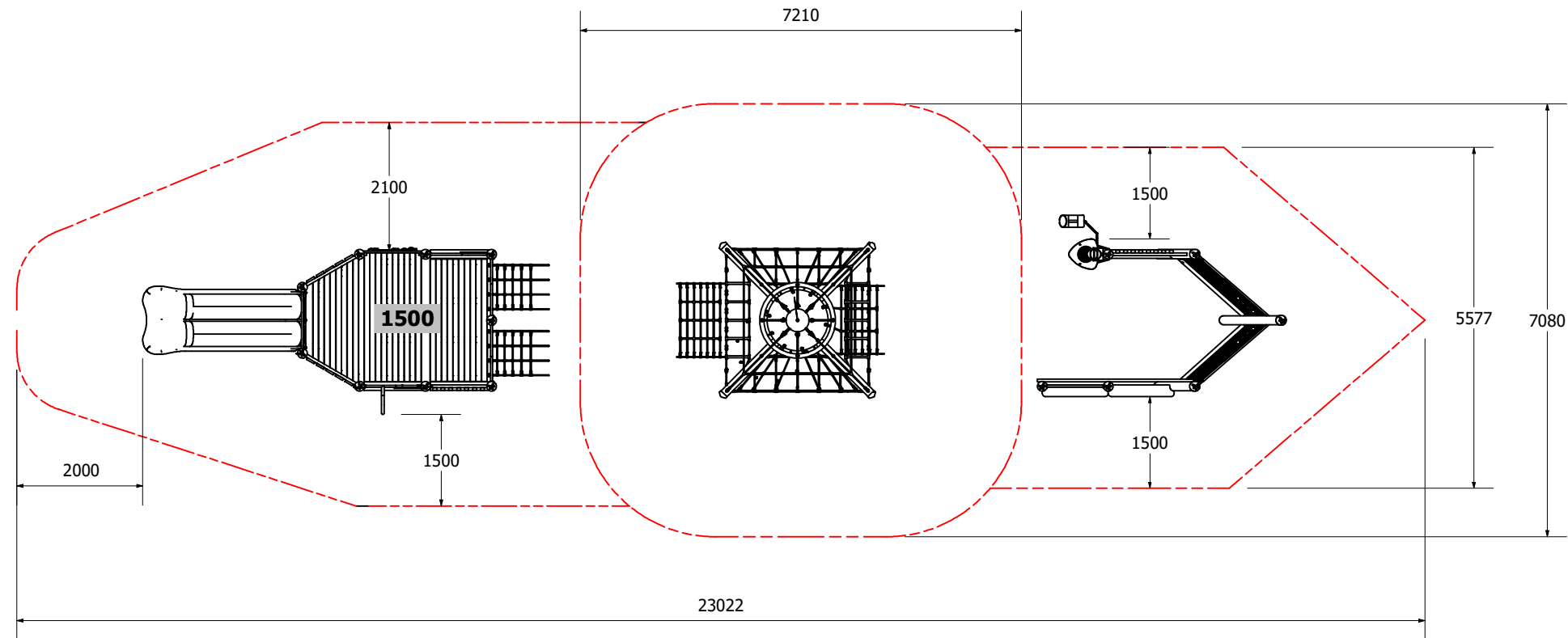


The Merchant







Technical Information	
Main Dimension	23022x7080mm
Total Area	124m ²
Max FHO	2350mm
Heaviest Part	
Compliant to	NZS 5828:2015 AS 4685:(series) EN 1176:2008

