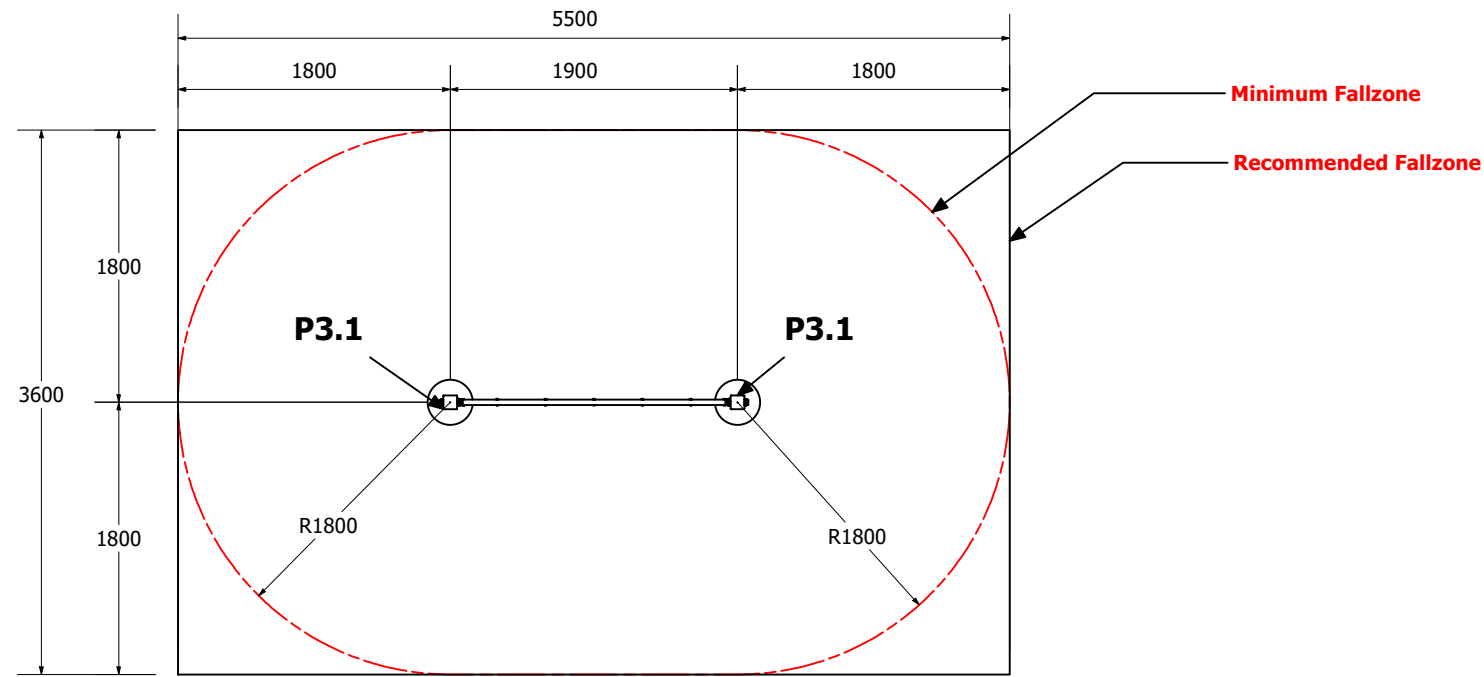
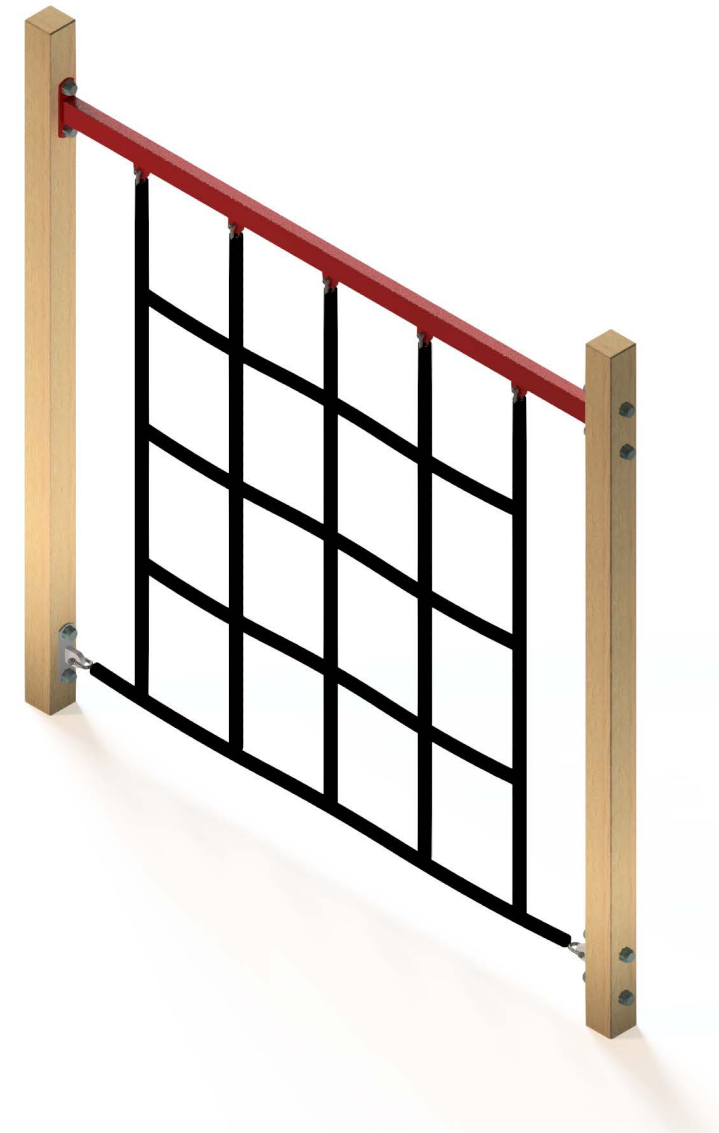
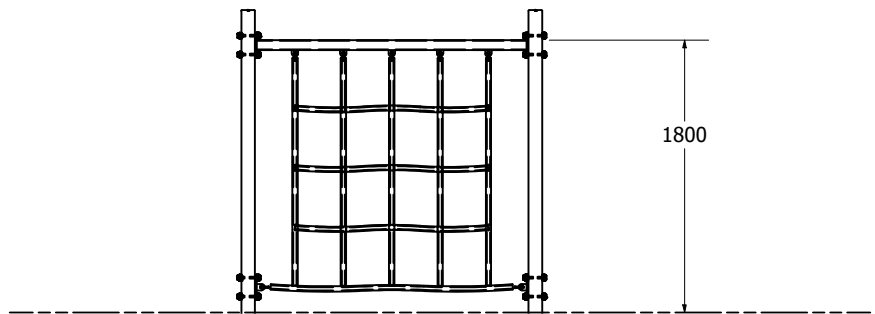


1:50 @ A3

Fallzones



Front Elevation



Technical Information	
Main Dimension	5500 x 3600
Total Area	20m2
Max FHO	1800
Heaviest Part	50kg
Compliant to	NZS 5828:2015 AS 4685:2017 EN 1176:2008

REVISION HISTORY			
REV	DESCRIPTION	DATE	BY
1	Creation	6/03/2020	Sam