

# Twig Stack 370



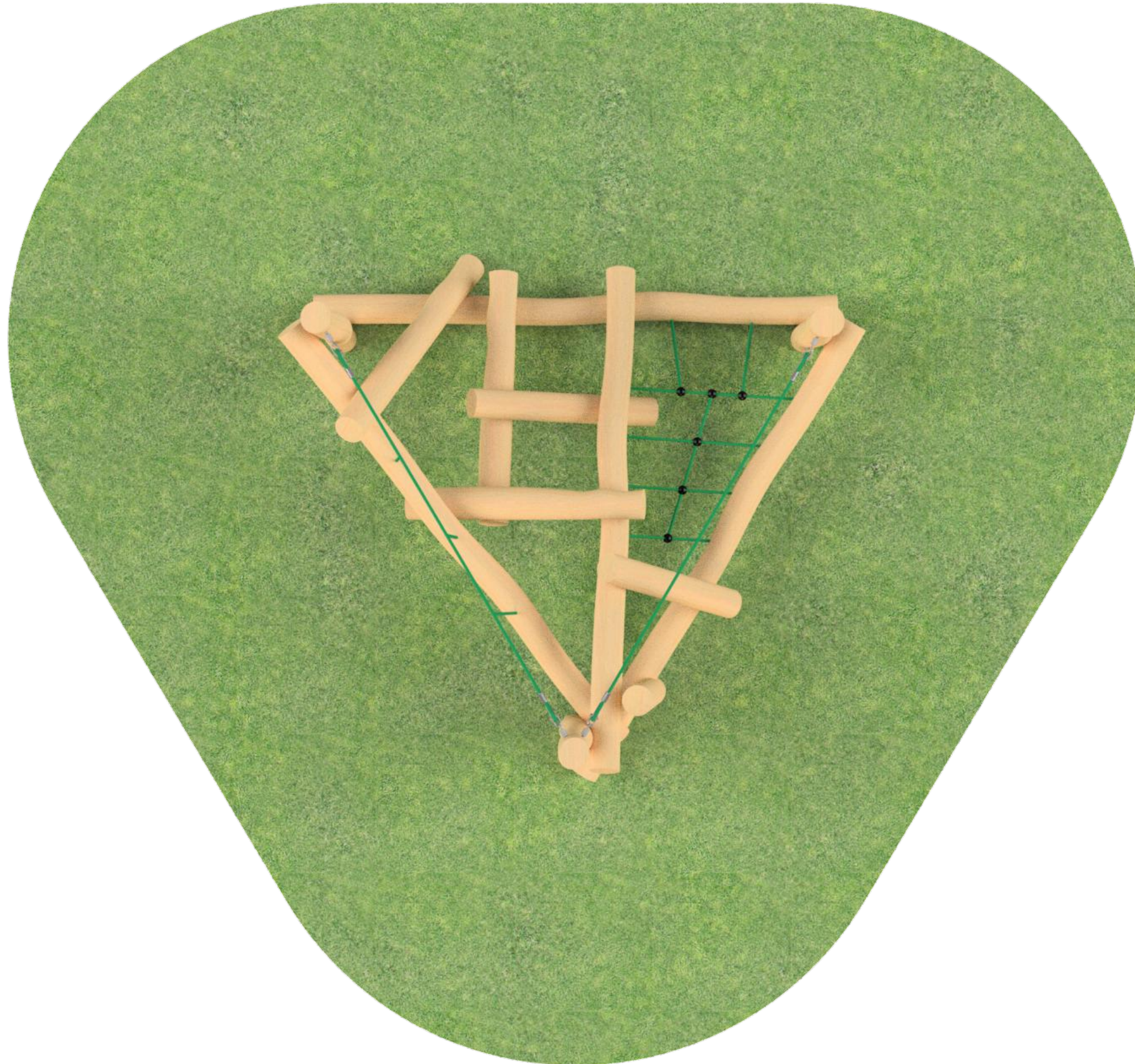


# Twig Stack 370



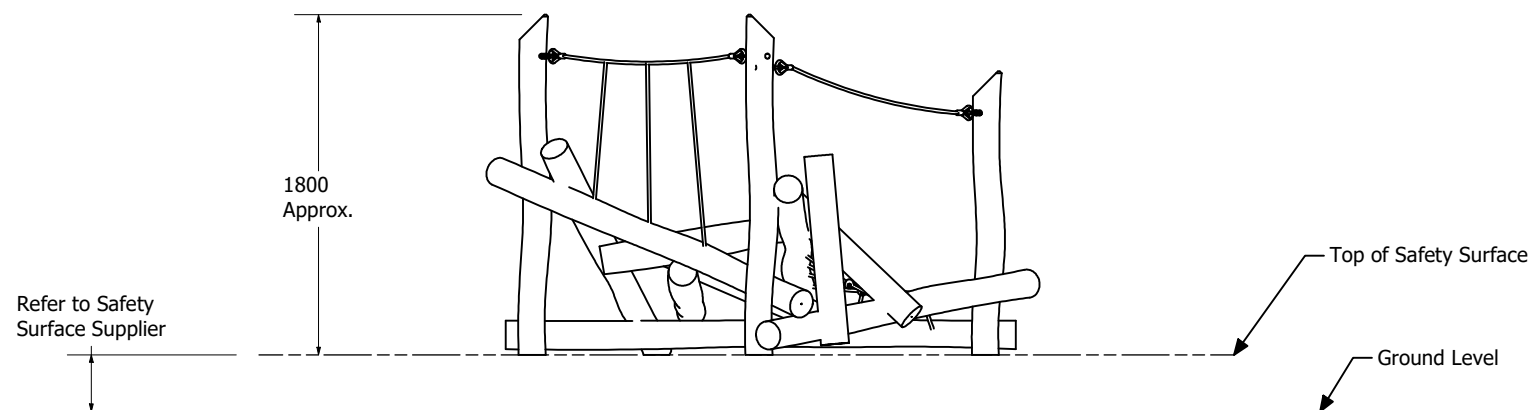
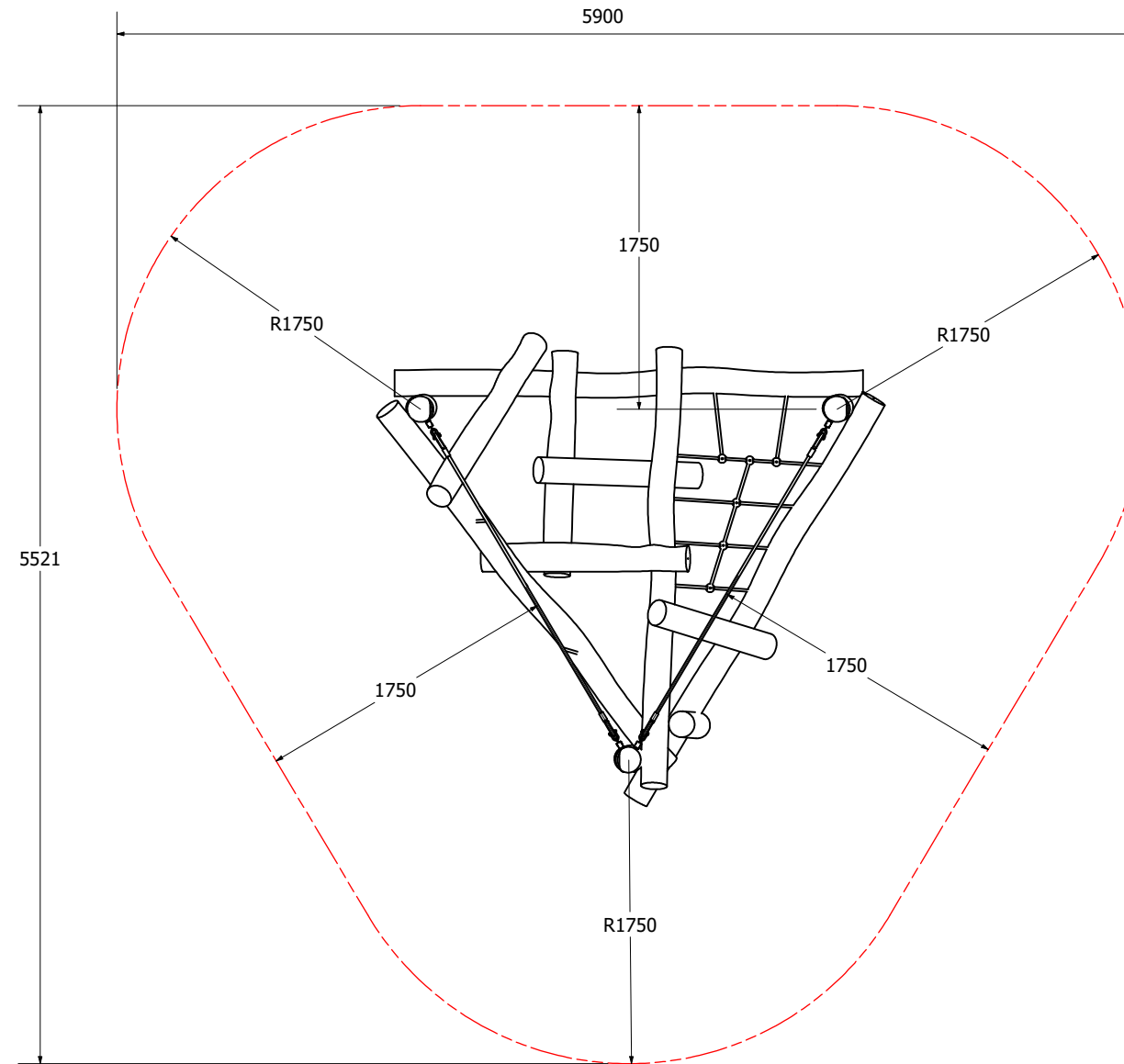


# Twig Stack 370





# Twig Stack 370



Technical Information	
Main Dimension	5900 x 5521mm
Total Area	32.6m <sup>2</sup>
Max FHO	1800mm
Heaviest Part	-
Compliant to	NZS 5828:2015 AS 4685:(series) EN 1176:2008