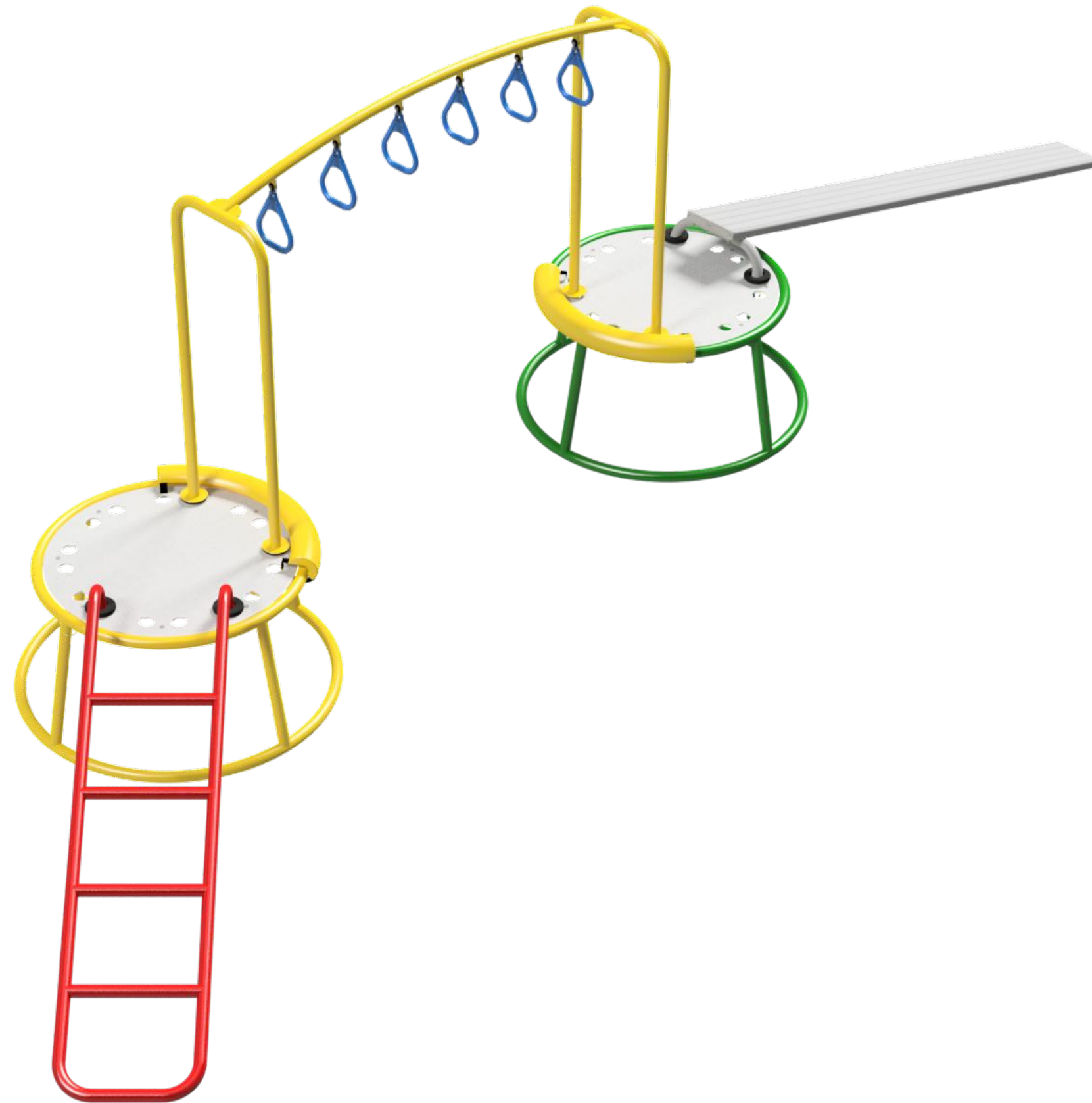


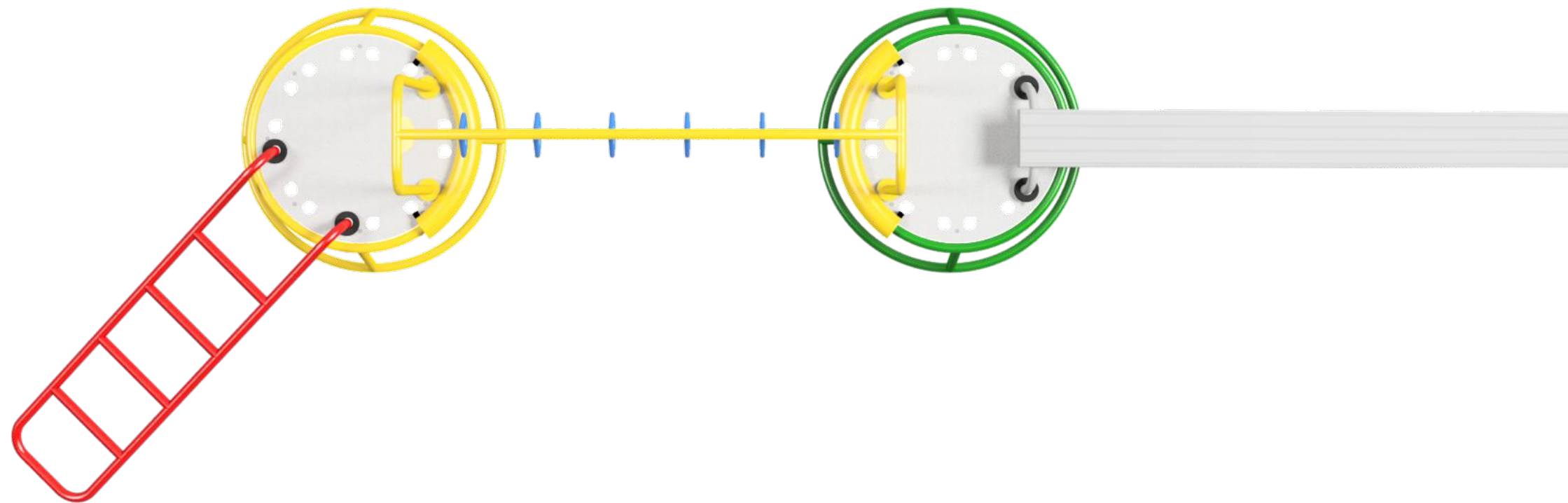
# Bambino Combo J

BOMOCOMJ



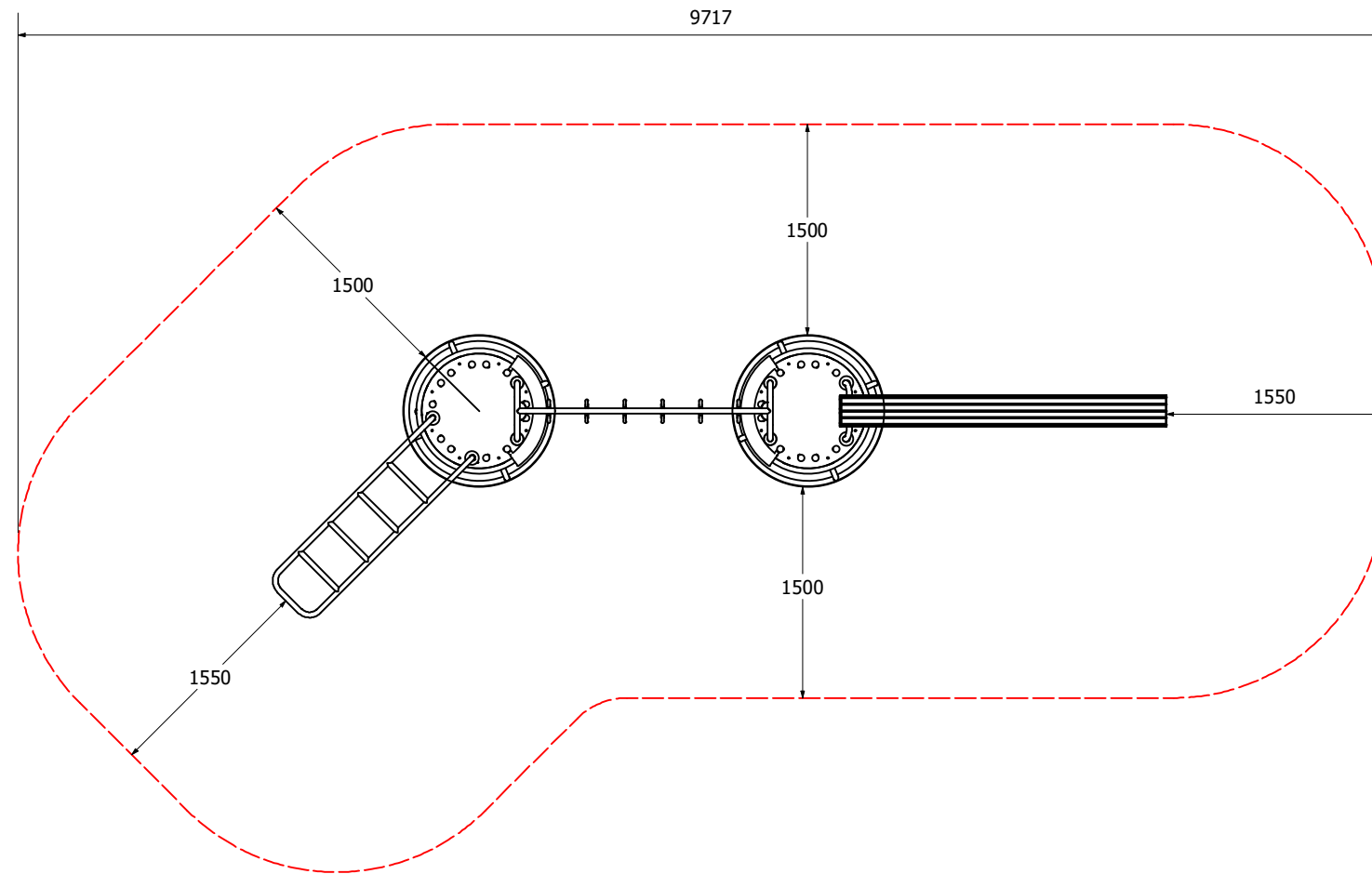
# Bambino Combo J

BOMOCOMJ

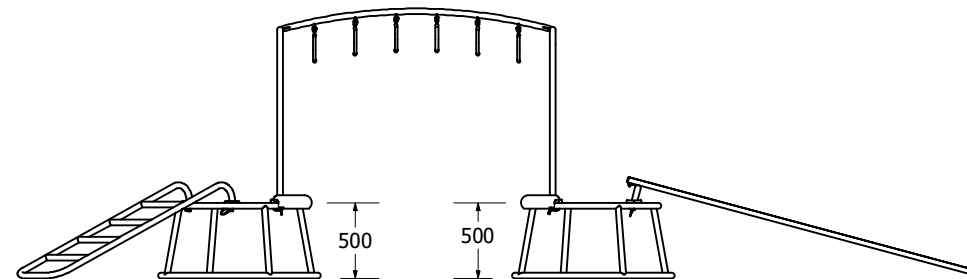


BOMOCOMJ  
1 : 50 @ A3

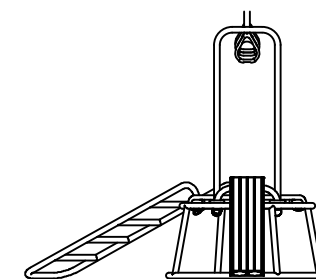
**Fallzones**



**Front Elevation**



**Right Elevation**



**FALL ZONE**

Note: As this equipment is moveable the end user should ensure there is 1500mm clear space from the edge of each piece of equipment. This drawing only shows the fall zone if the equipment is laid out in the same orientation.

Technical Information	
Main Dimension	9717 mm
Total Area	
Max FHOF	500 mm
Heaviest Part	
Compliant to	NZS 5828:2015 AS 4685:(series) EN 1176:2008

REVISION HISTORY			
REV	DESCRIPTION	DATE	BY
2	Creation	2/11/2021	