

TIMBAPLAY SWING - 2 BAY DUO ROPE

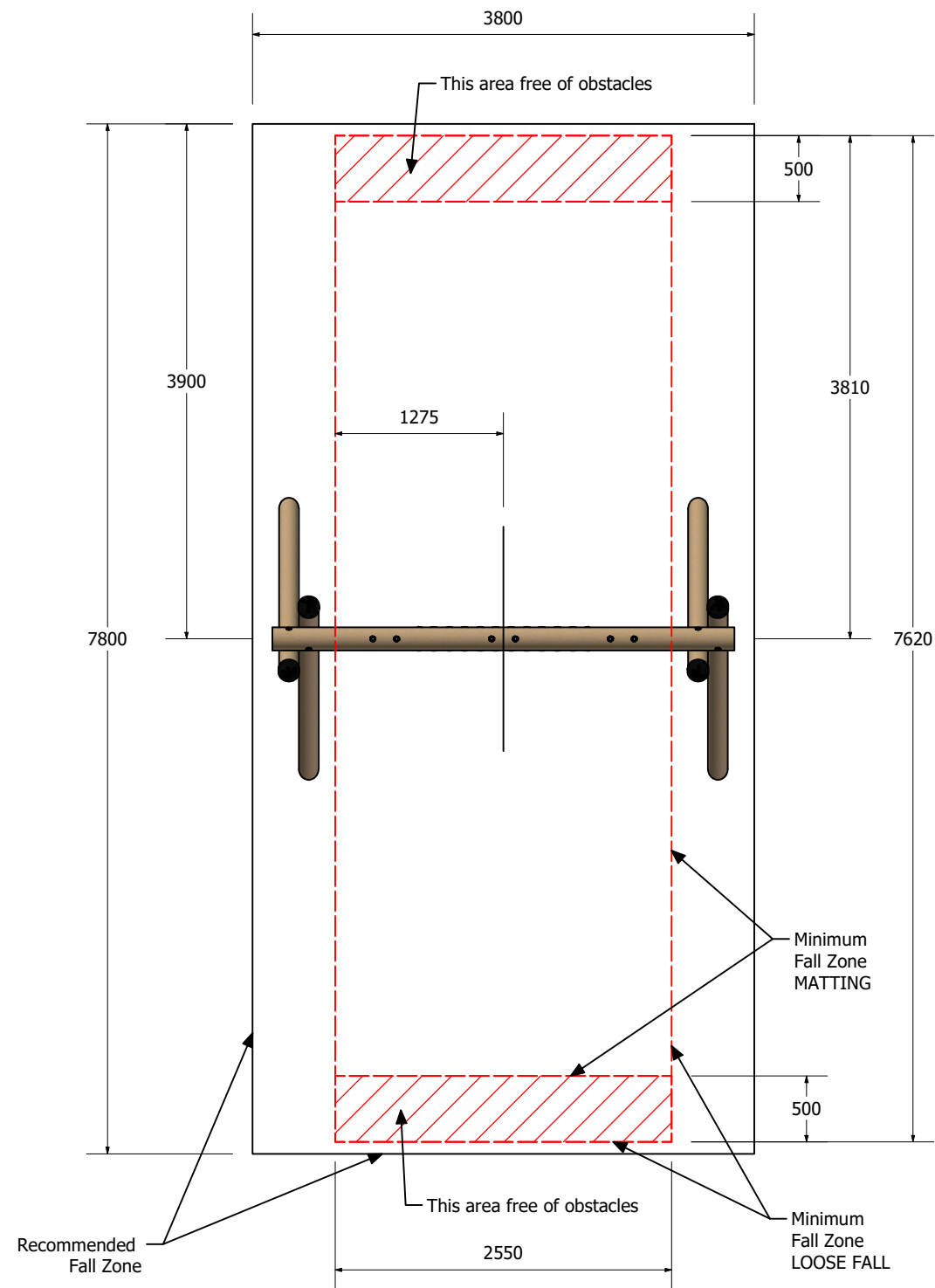
SWTP2D



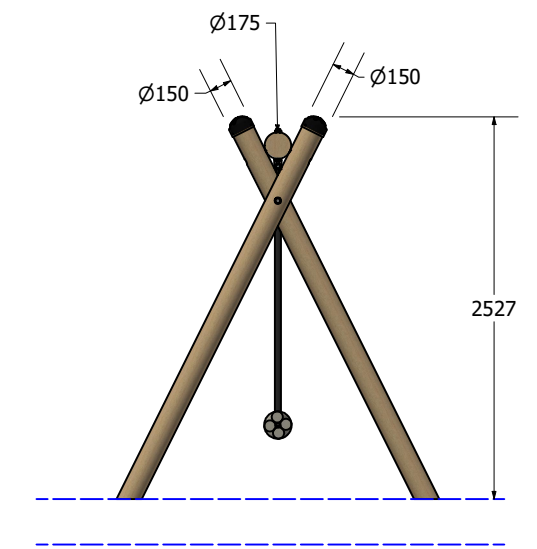
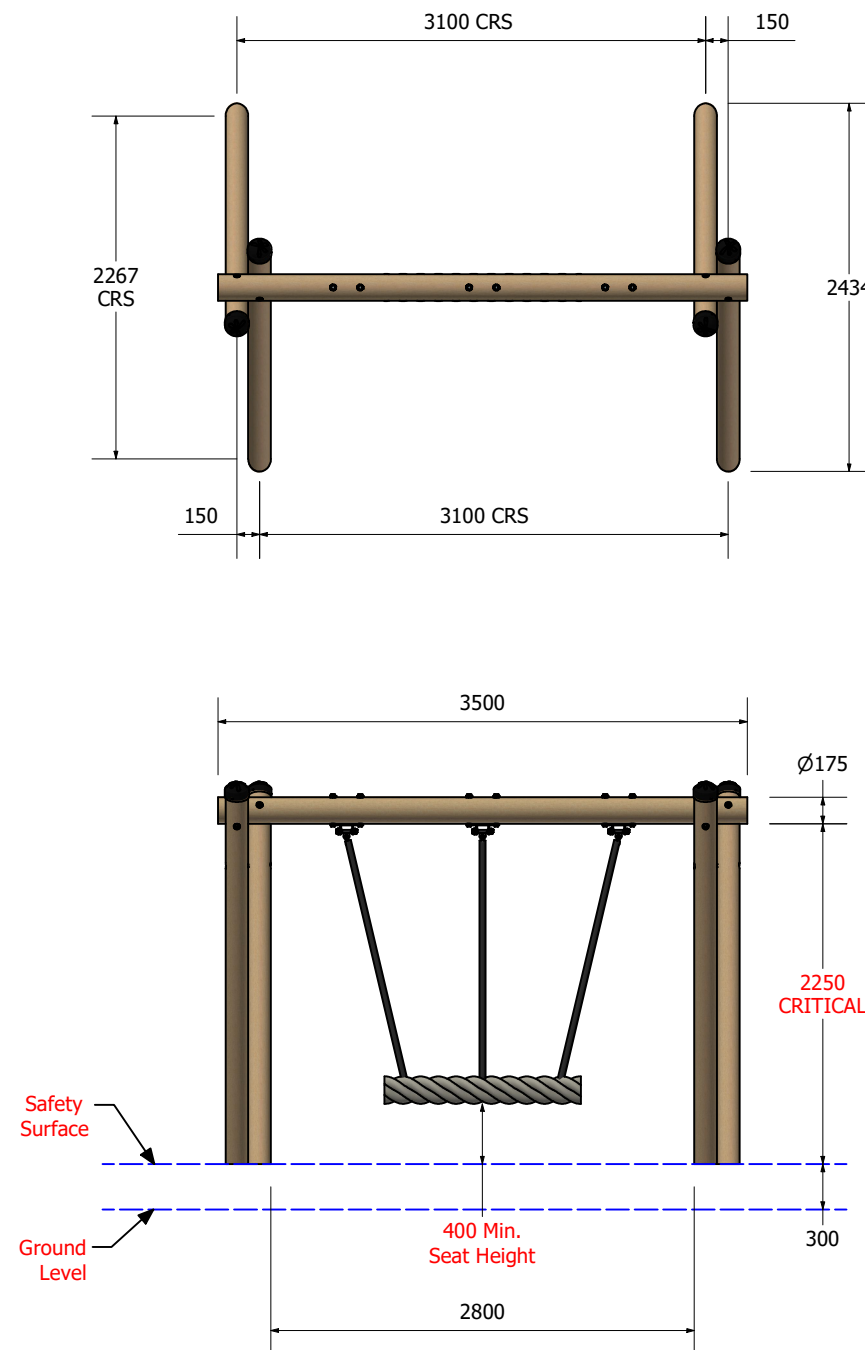
TIMBAPLAY SWING - 2 BAY DUO ROPE

SWTP2D

FALLZONE



DIMENSIONS AT GROUND LEVEL



Technical Information	
Main Dimension	7800 x 3800
Total Area	30 sq/m
Max FHO	1400 mm
Heaviest Part	50 kg
Compliant to	NZS 5828:2015 AS 4685:(series) EN 1176:2008