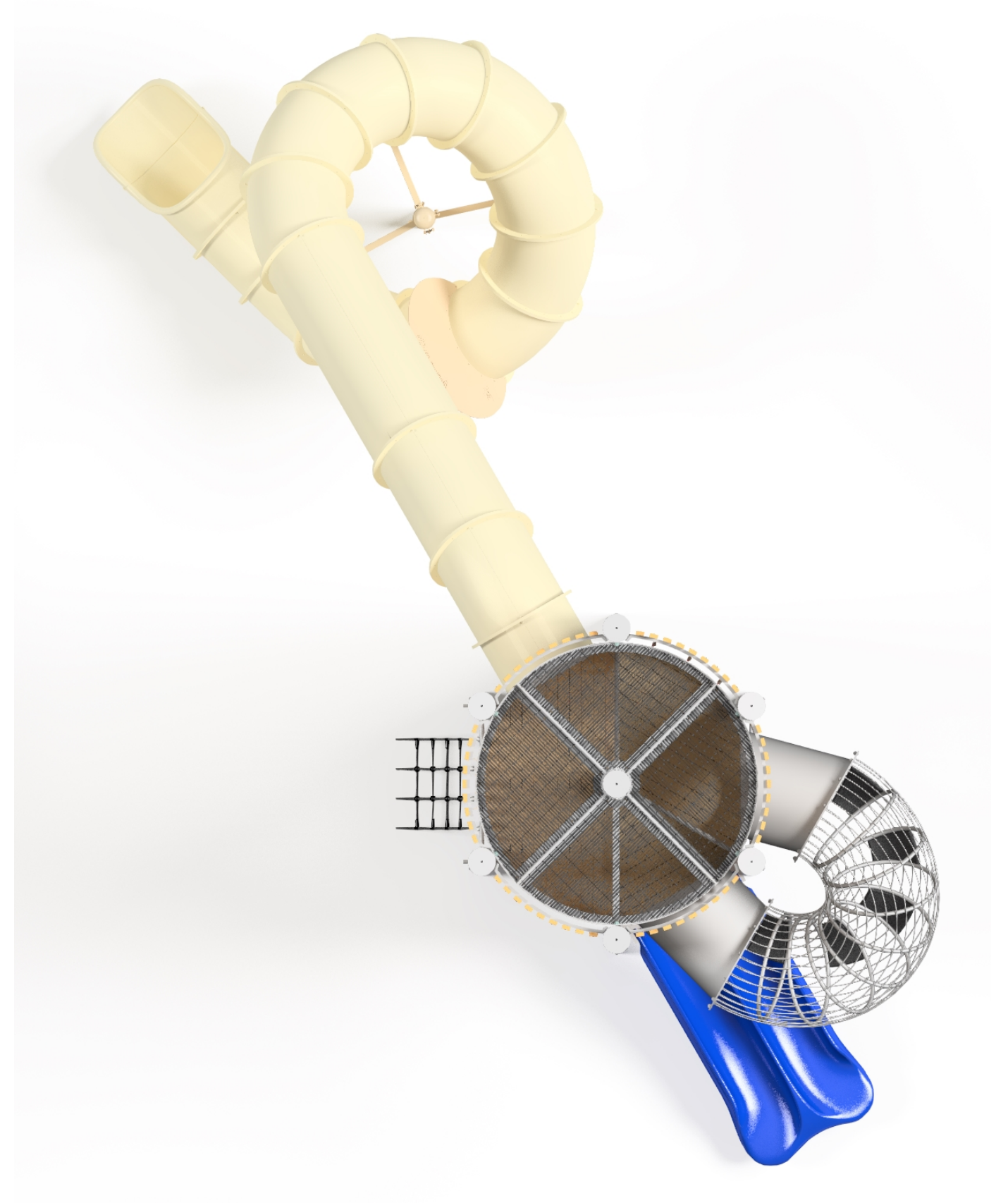


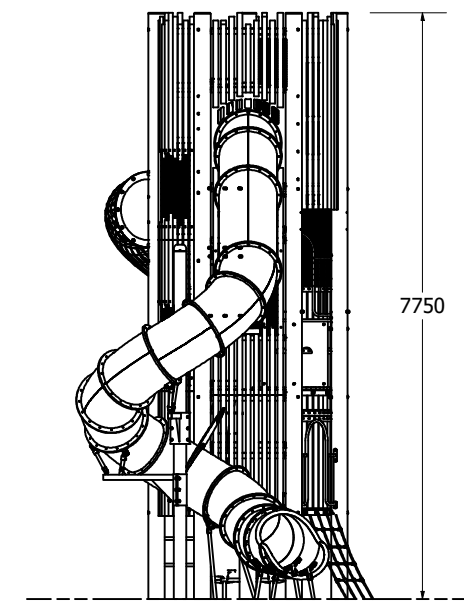
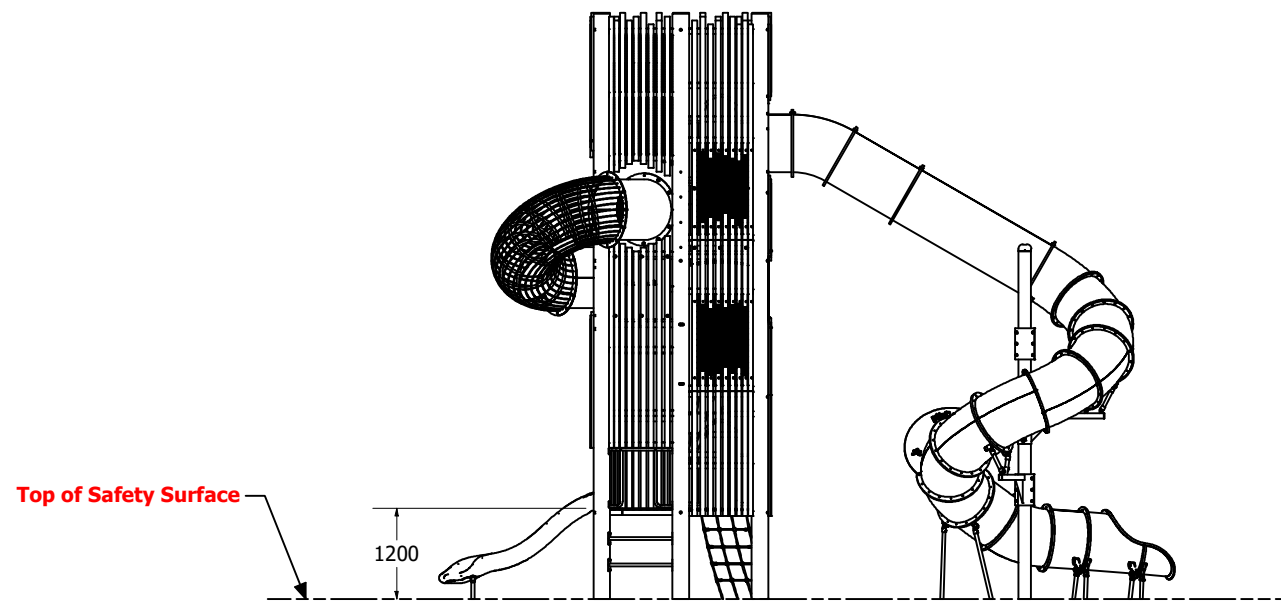
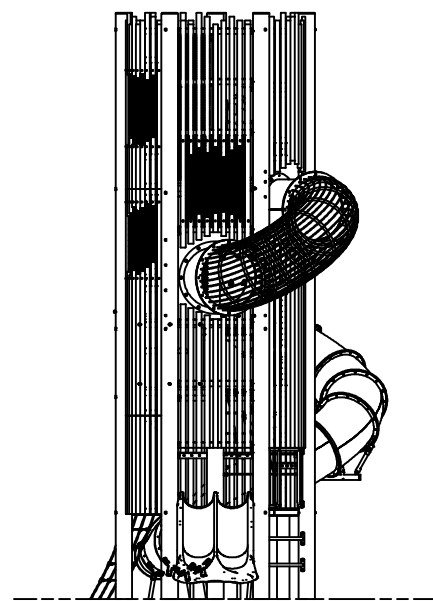
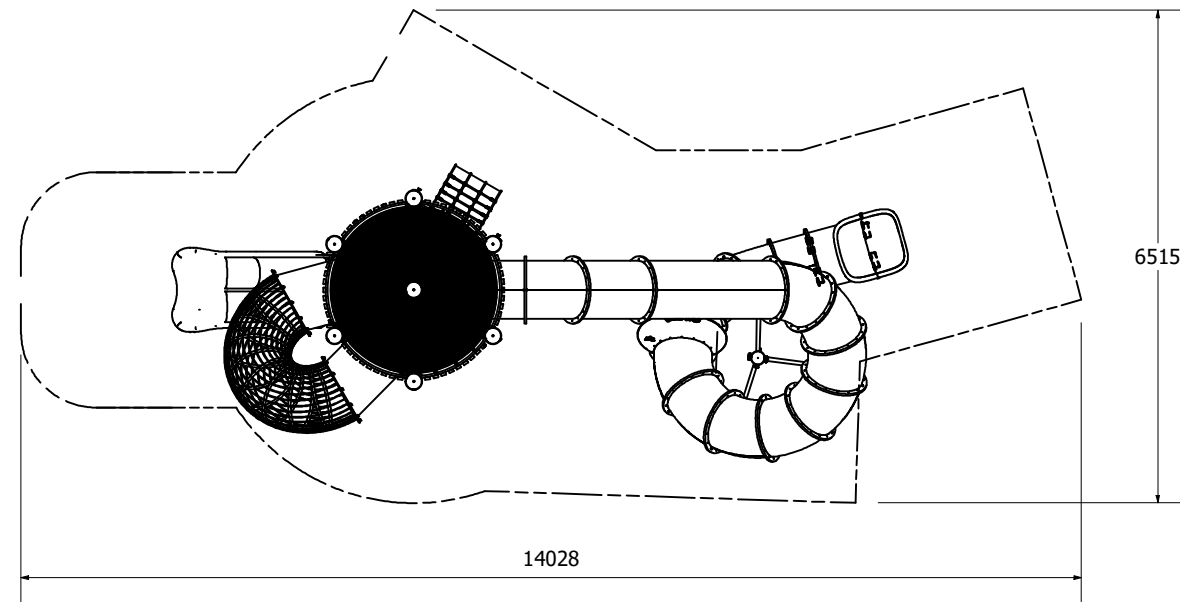
# Round Tower MOMP8702



# Round Tower MOMP8702



# Round Tower MOMP8702



Technical Information	
Main Dimension	14028 x 6515mm
Total Area	56m <sup>2</sup>
Max FHO	
Heaviest Part	
Compliant to	NZS 5828:2015 AS 4685:(series) EN 1176:2008