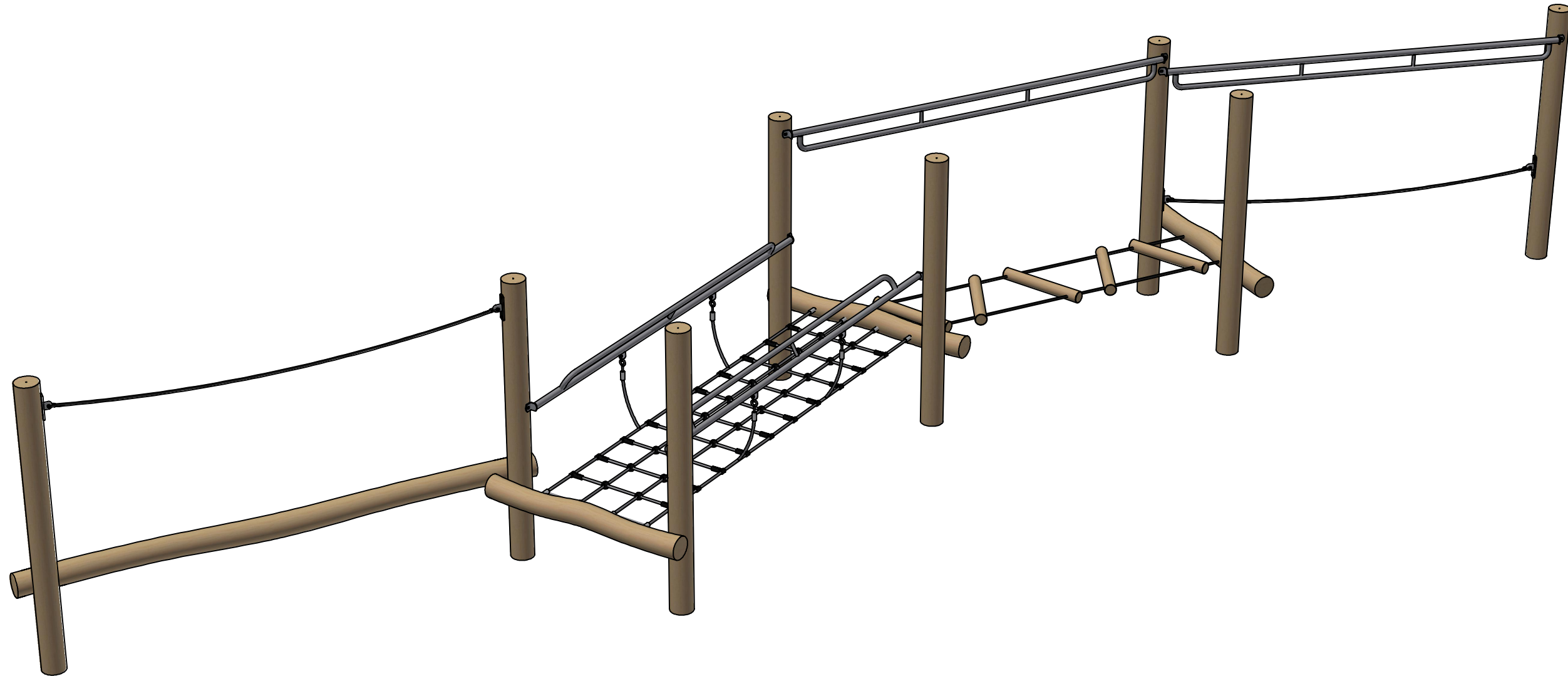
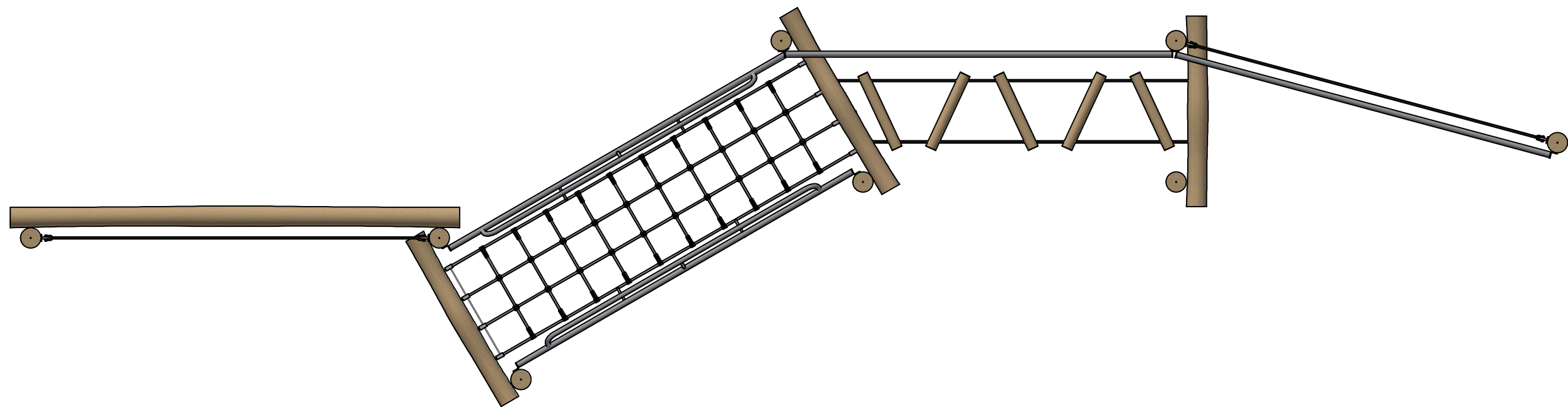
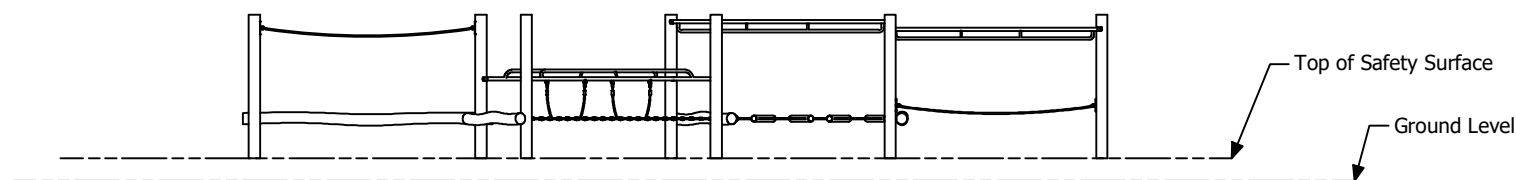
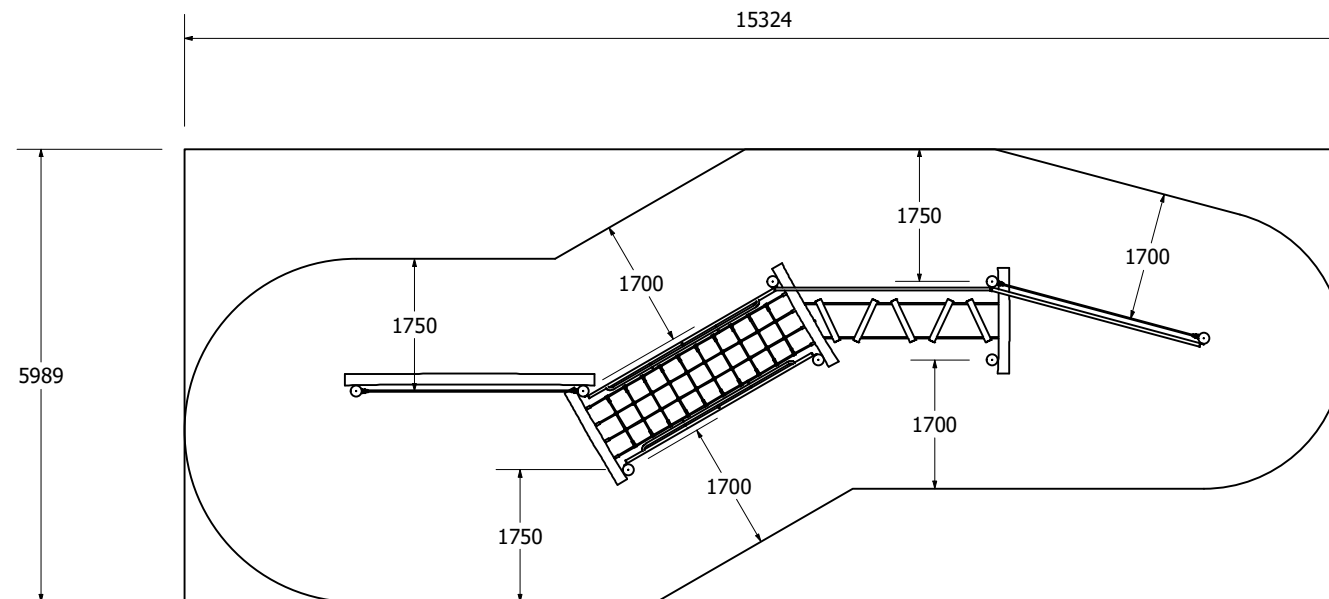


# Activity Trail 2127



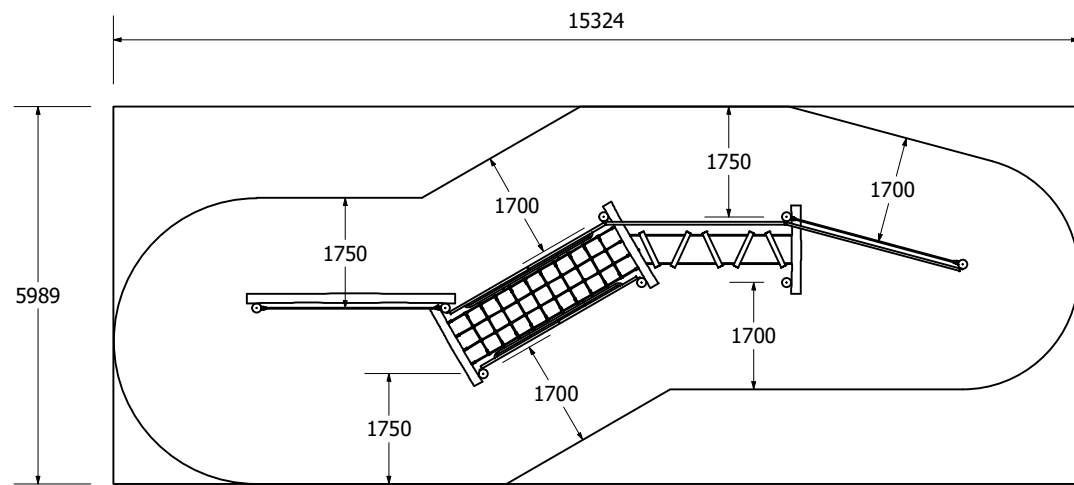


1 : 100 @ A3

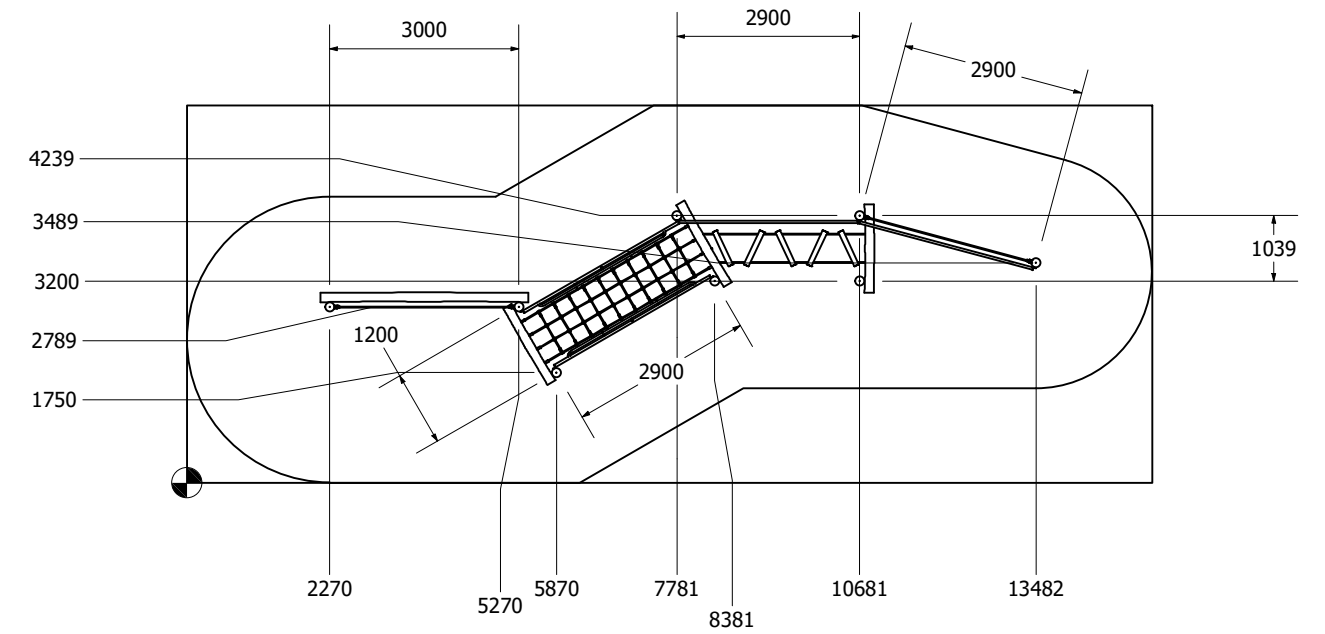


Technical Information	
Main Dimension	15324 x 5989mm
Total Area	91.8m <sup>2</sup>
Max FHO	1700mm
Heaviest Part	-
Compliant to	NZS 5828:2015 AS 4685:2021 EN 1176:2007

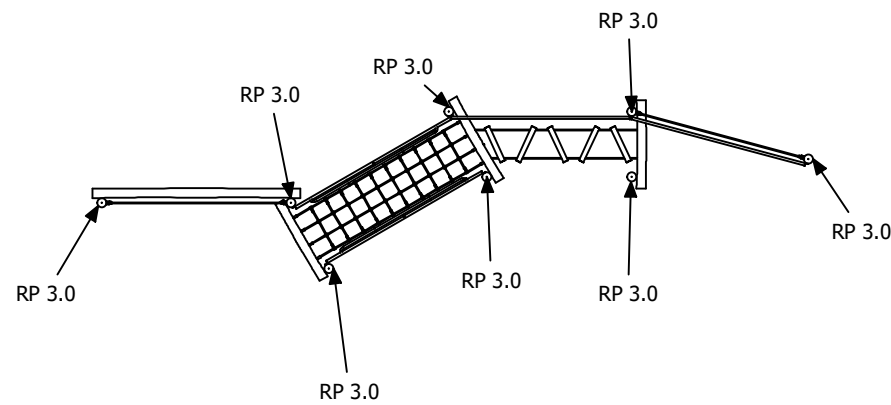
**Fallzones**



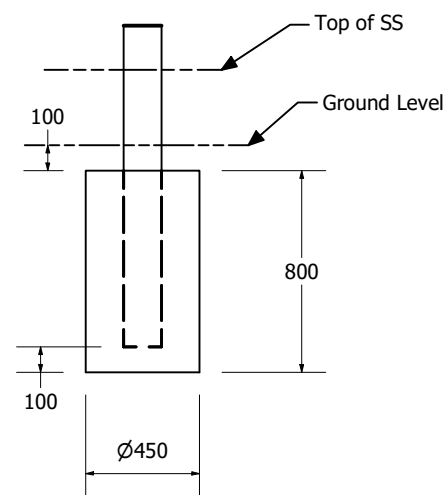
**Pole Dimensions**



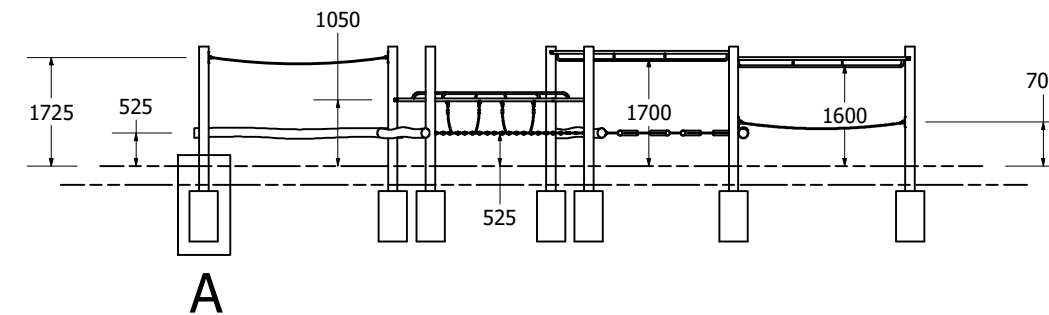
**Pole Type**



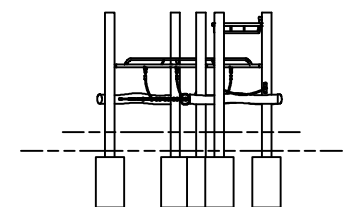
**A ( 1 : 30 )**



**Front Elevation**



**Right Elevation**



REVISION HISTORY			
REV	DESCRIPTION	DATE	BY
A	Creation	16/12/2024	FJC

DRAWN BY **FJC**  
DATE DRAWN **16/12/2024**

SCALE  
**1 : 120 @ A3**

PART NUMBER **MOWW2127**

DESCRIPTION **Activity Trail 2127**

SHEET  
**4/6**