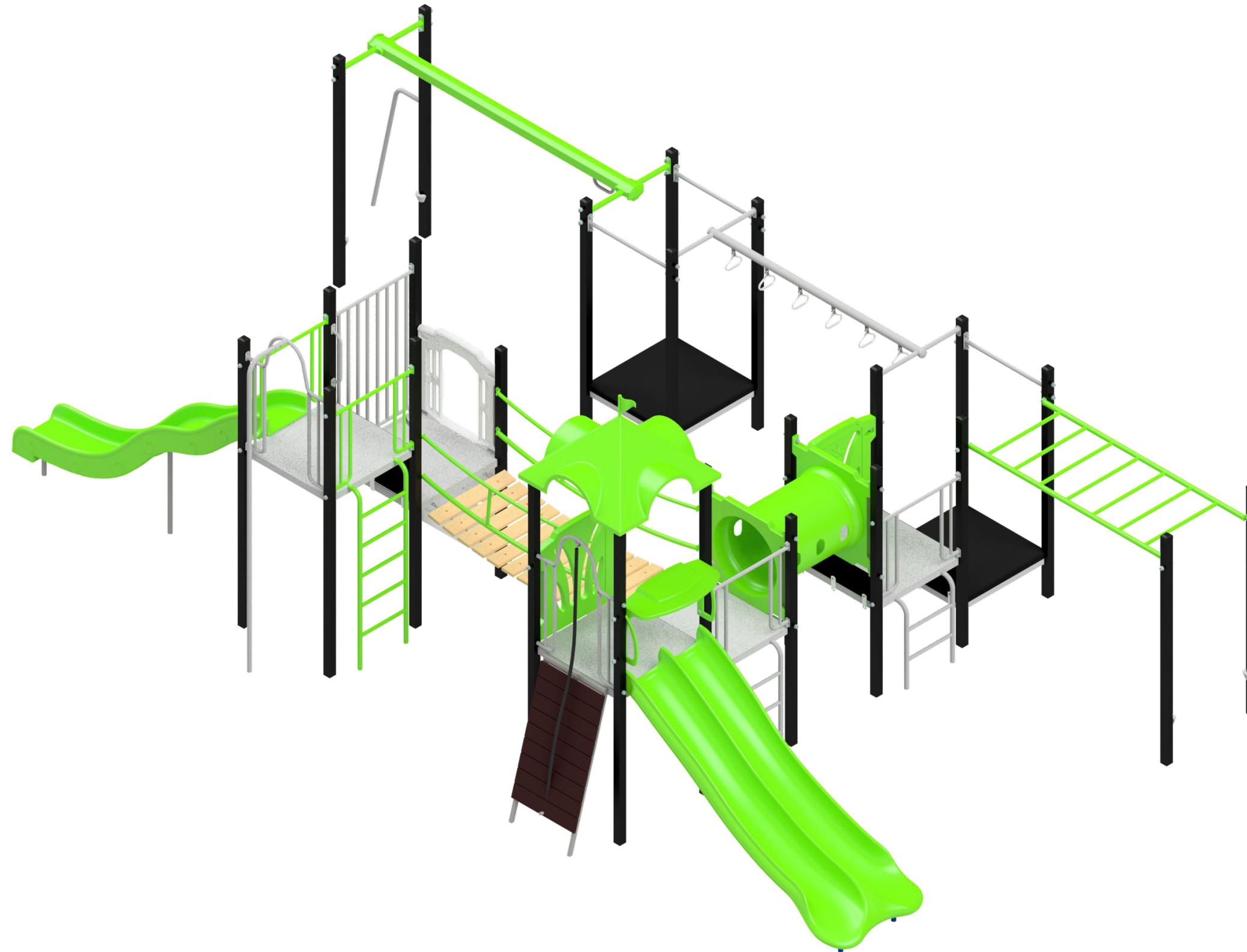
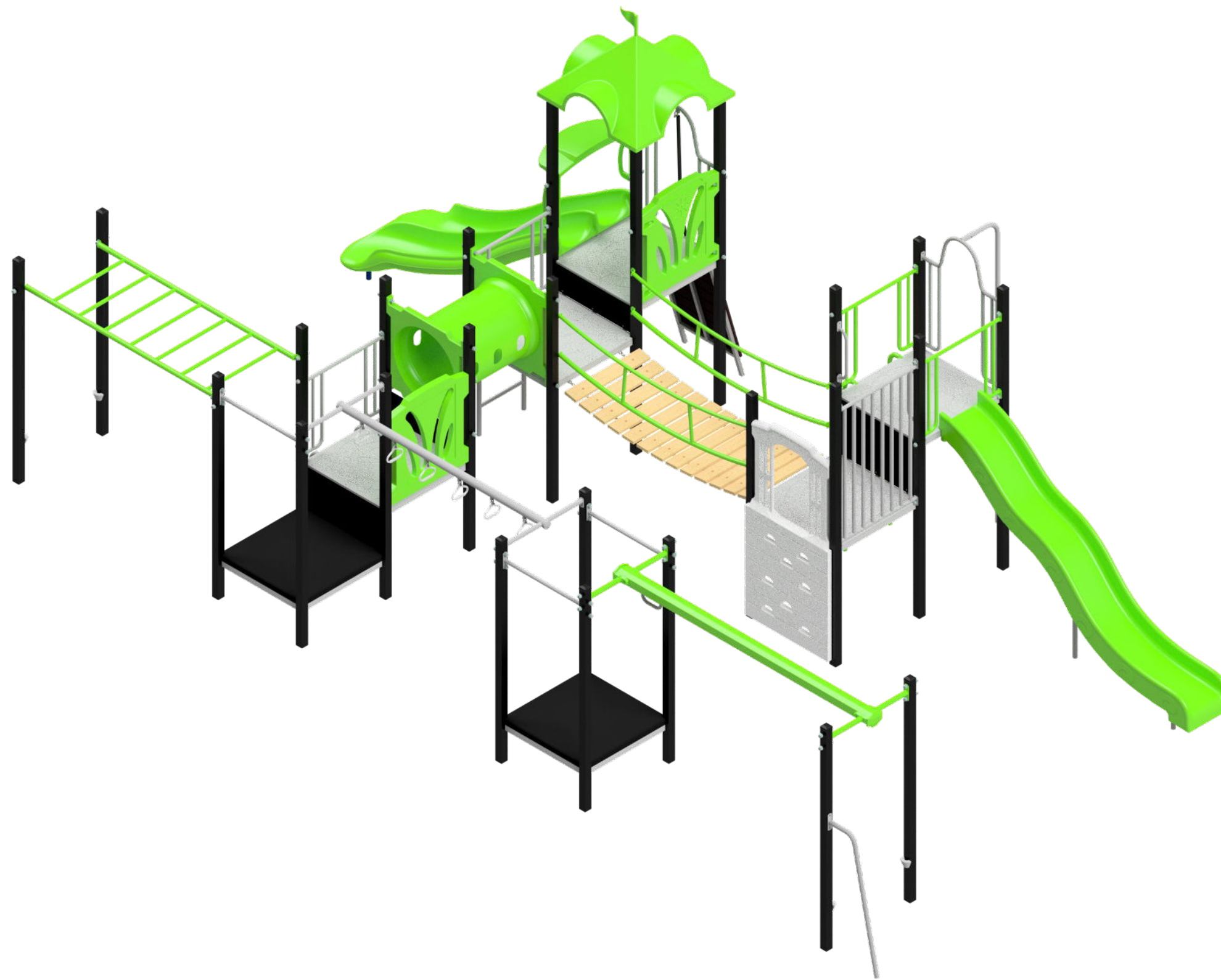


TR313 Avenue MP

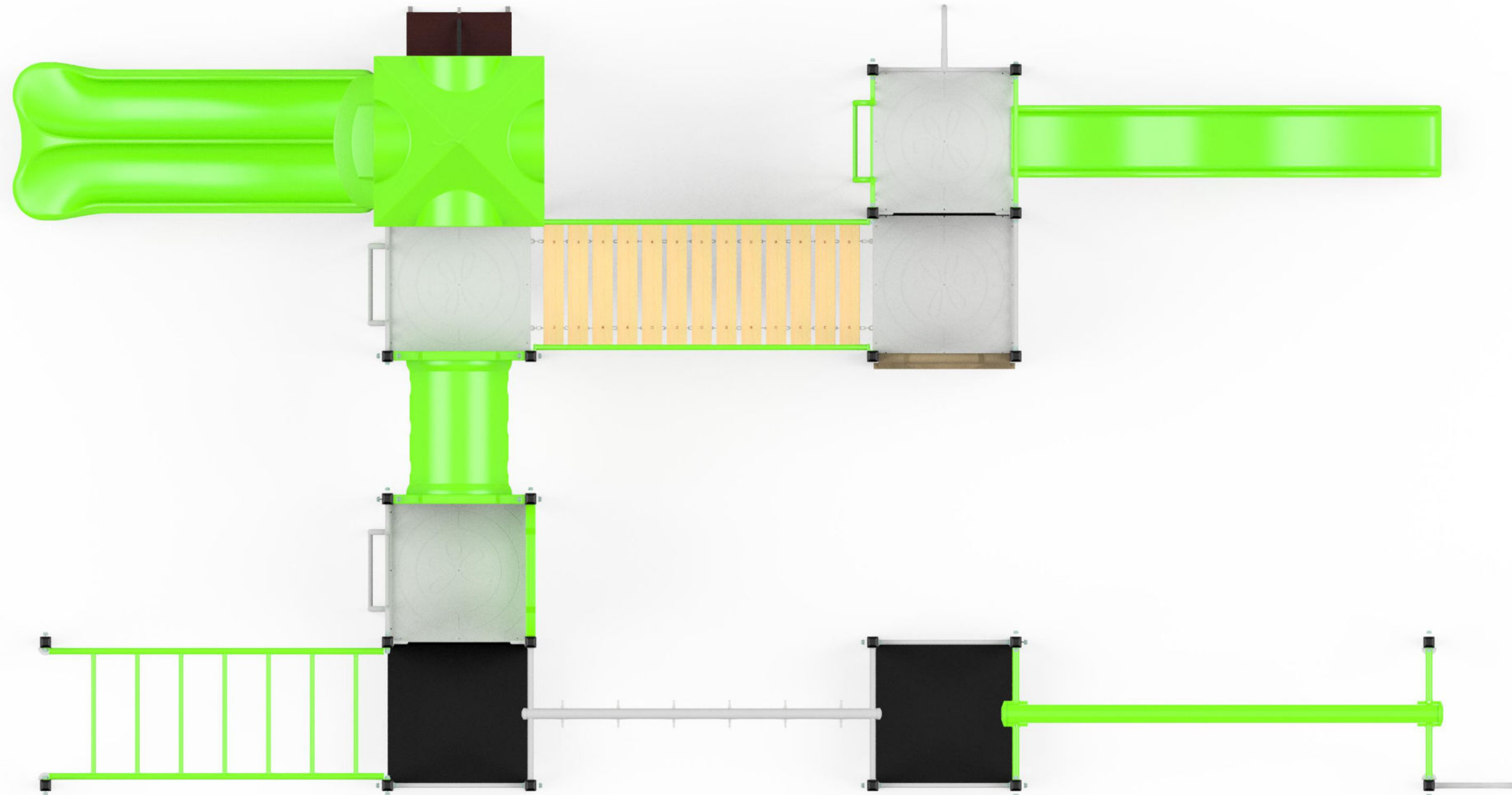
PRODUCT CODE: MOMP313

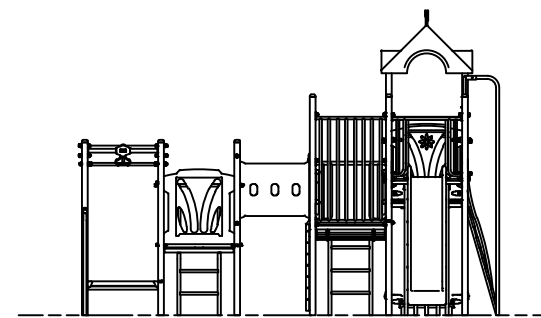
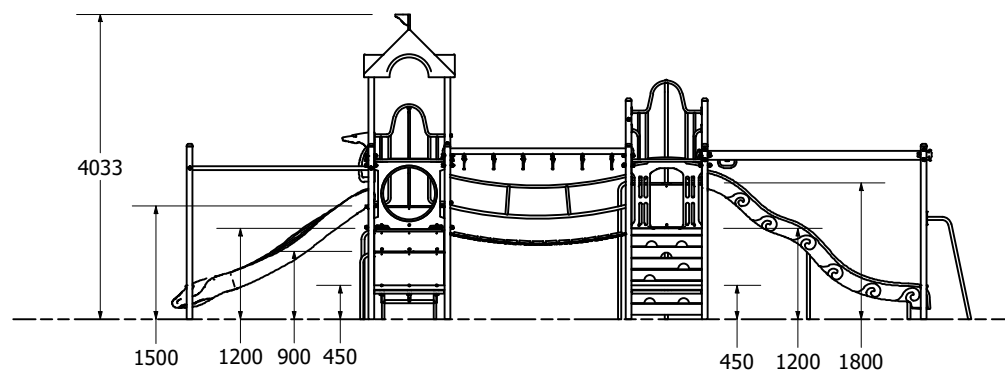
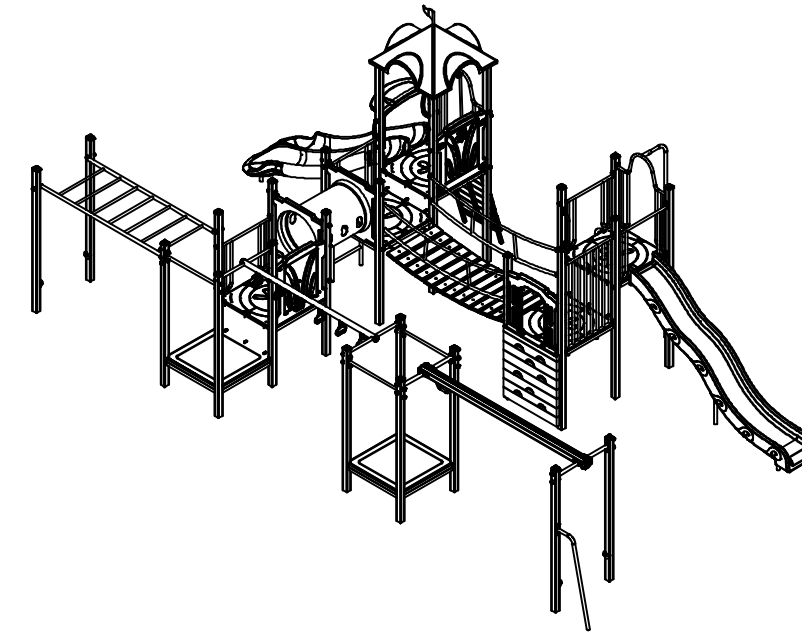
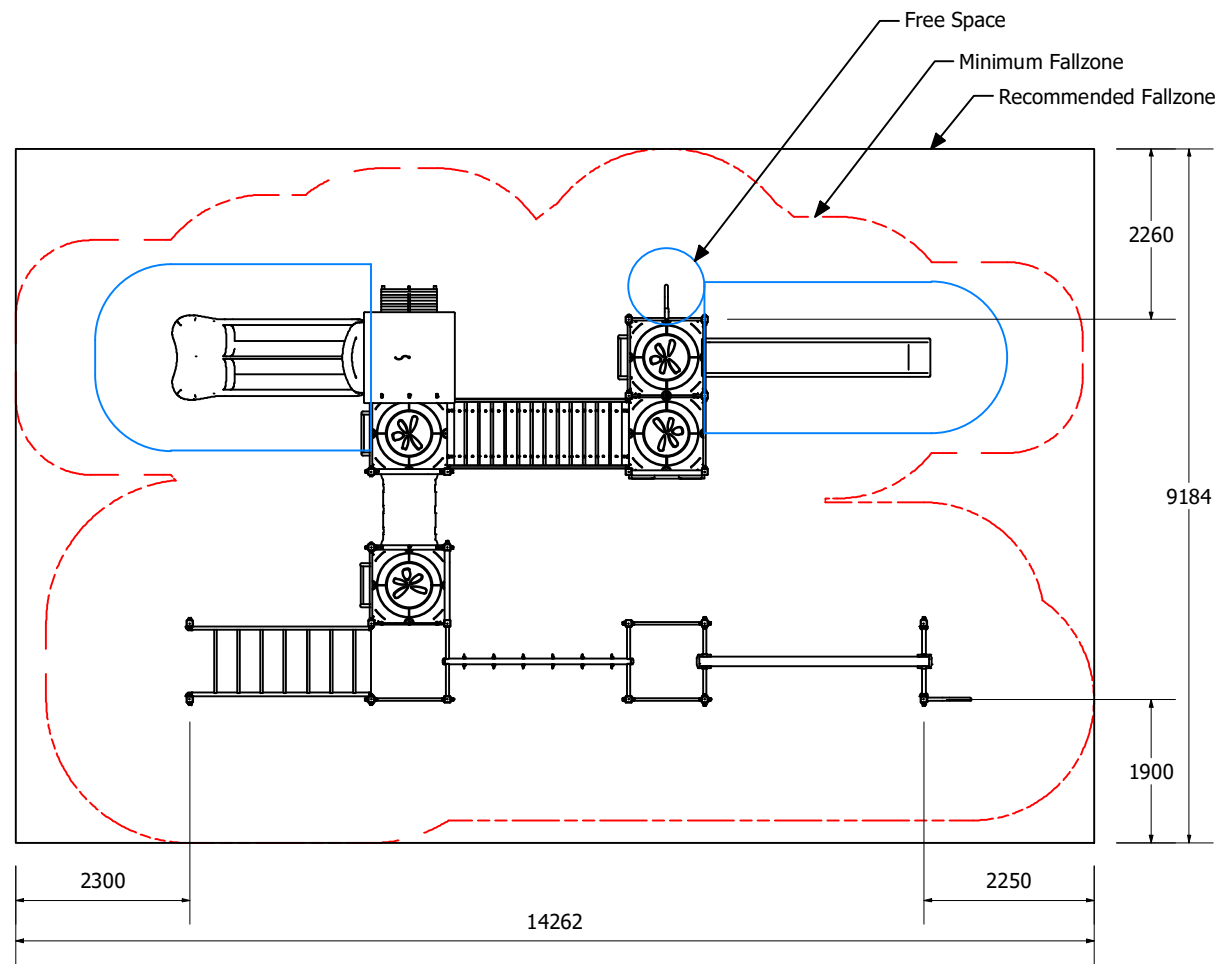




TR313 Avenue MP

PRODUCT CODE: MOMP313



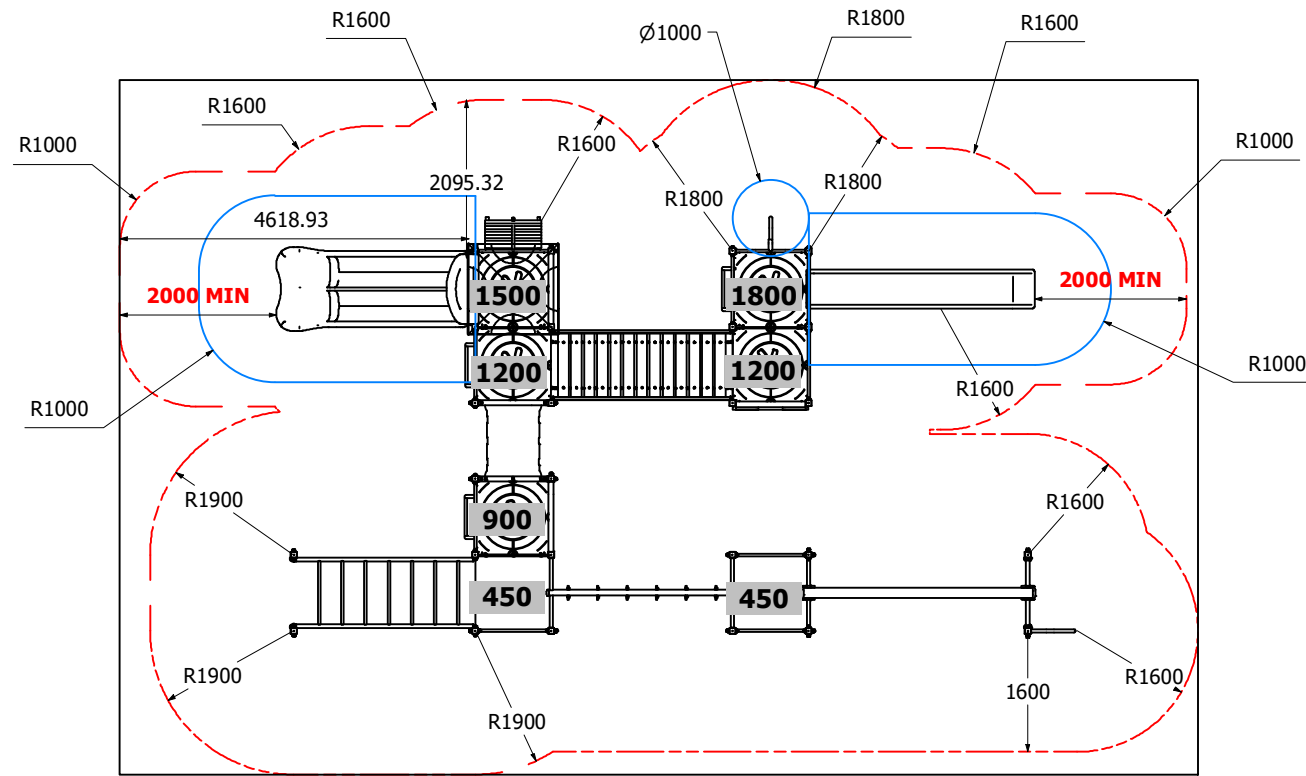


Technical Information	
Main Dimension	14260 x 9185mm
Total Area	131m ²
Max FHO	2200mm
Heaviest Part	70kg
Compliant to	NZS 5828:2015 AS 4685:(series) EN 1176:2008

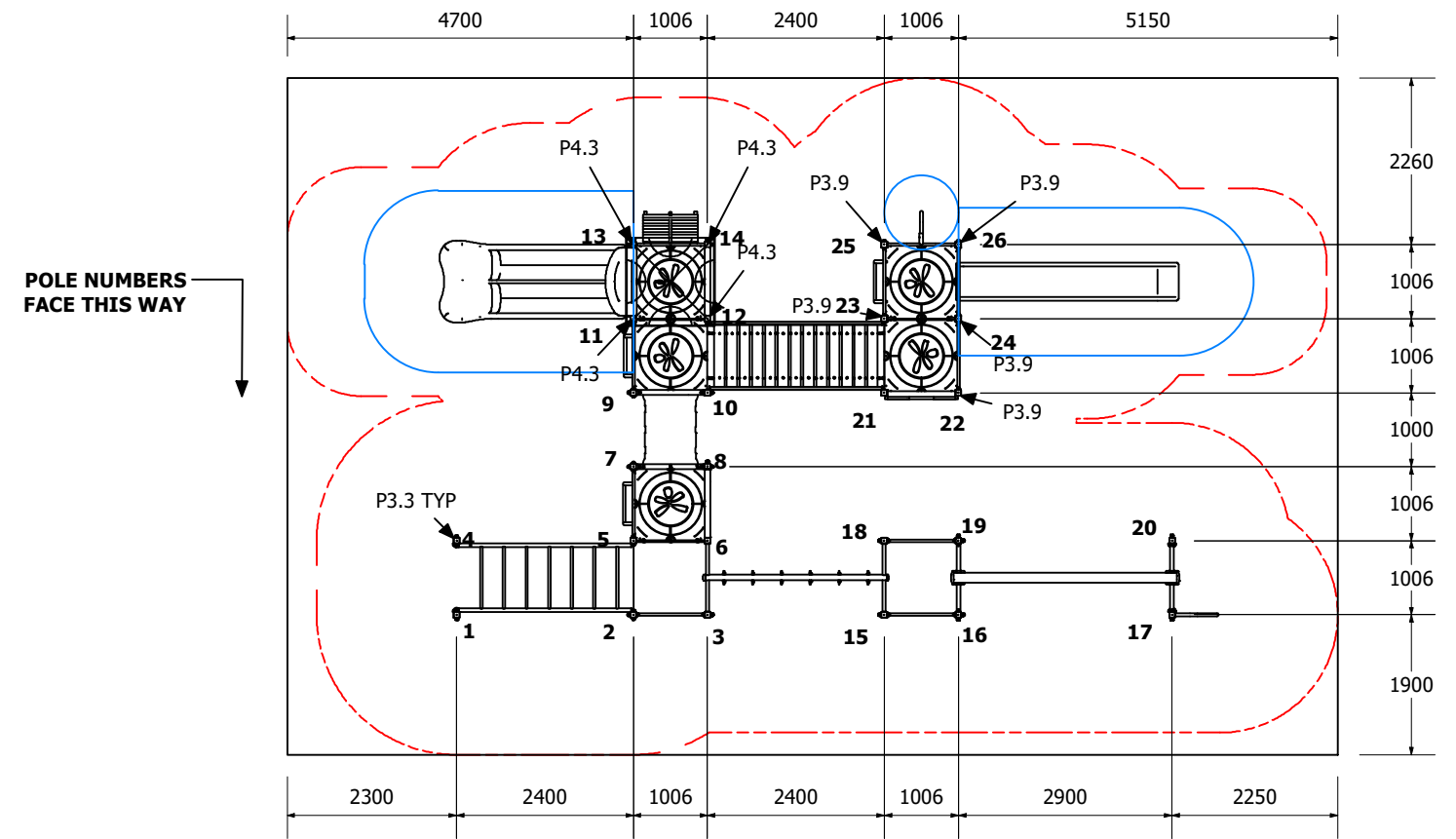
REVISION HISTORY			
REV	DESCRIPTION	DATE	BY
0	Creation	14/10/2021	Conor
1	Changed barriers and D grips	14/12/2021	HS

1 : 100 @ A3

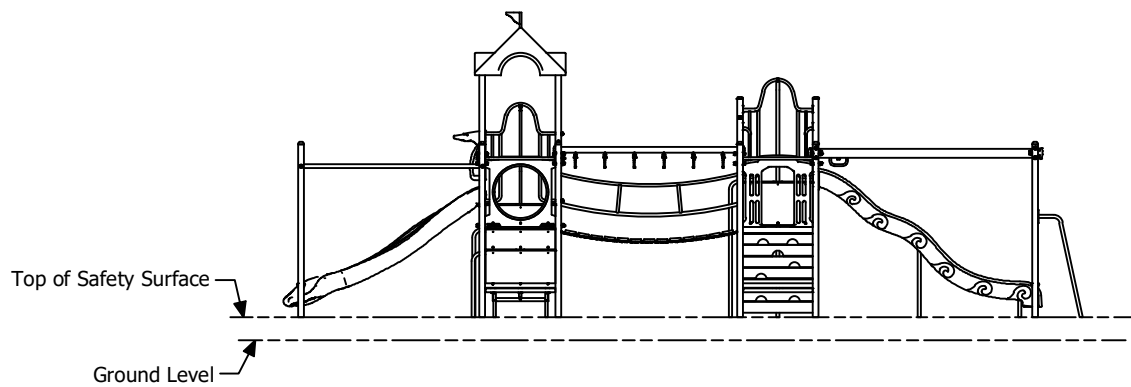
Fallzones
Roof Transparent



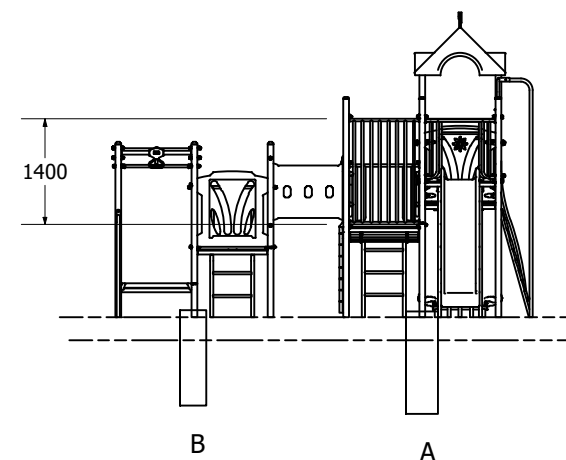
Pole Type/Pole Dimensions
Roof Transparent



Front Elevation



Right Elevation



A (1 : 50)
4.3 POLE FOUNDATION

B (1 : 50)
TYPICAL FOUNDATION

