

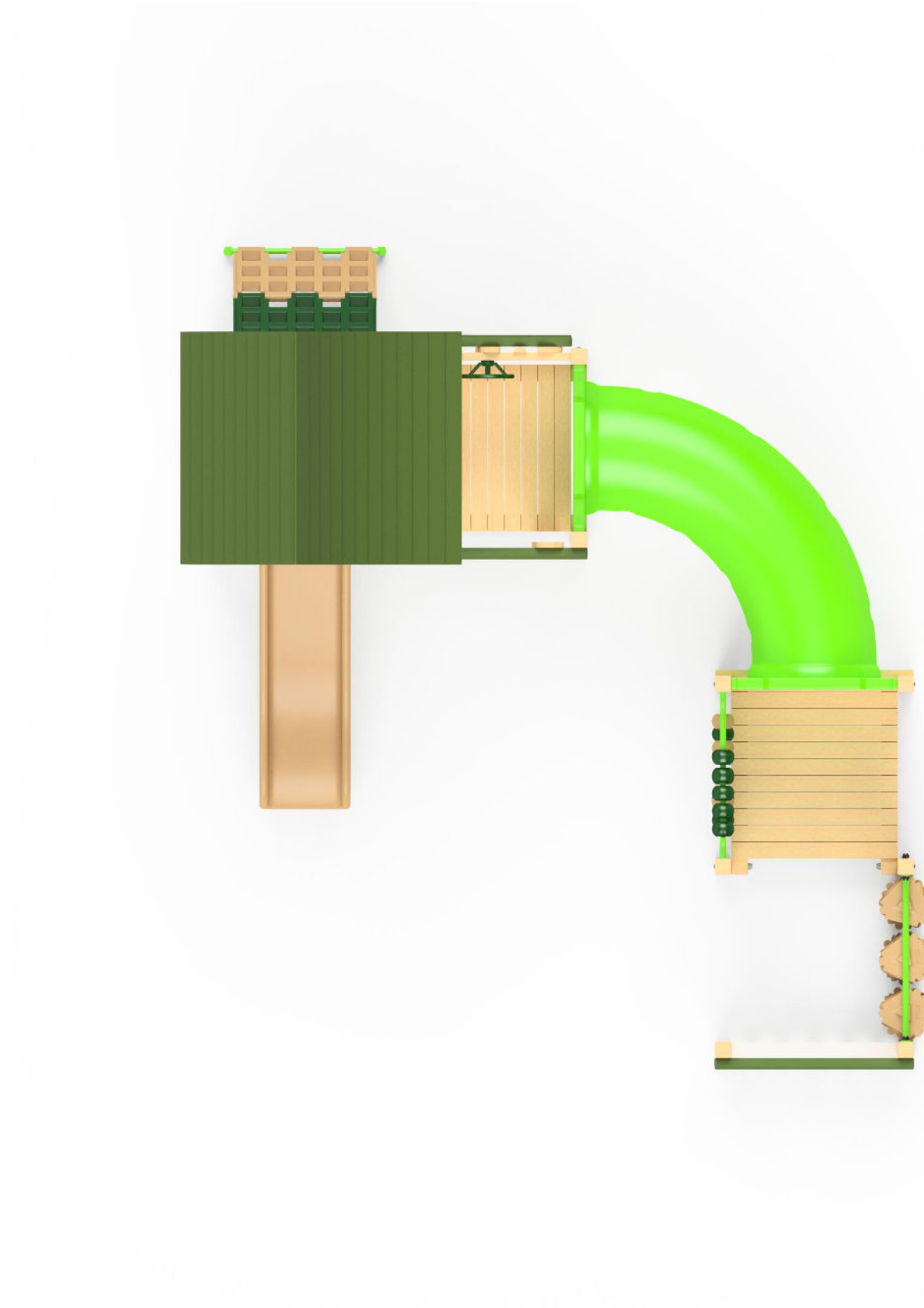
Front View



Rear View

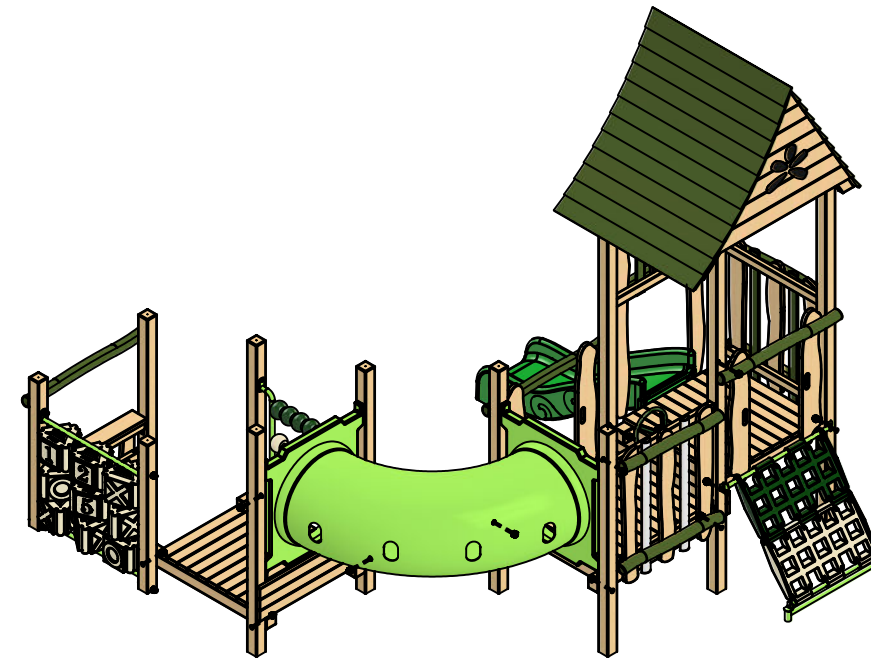
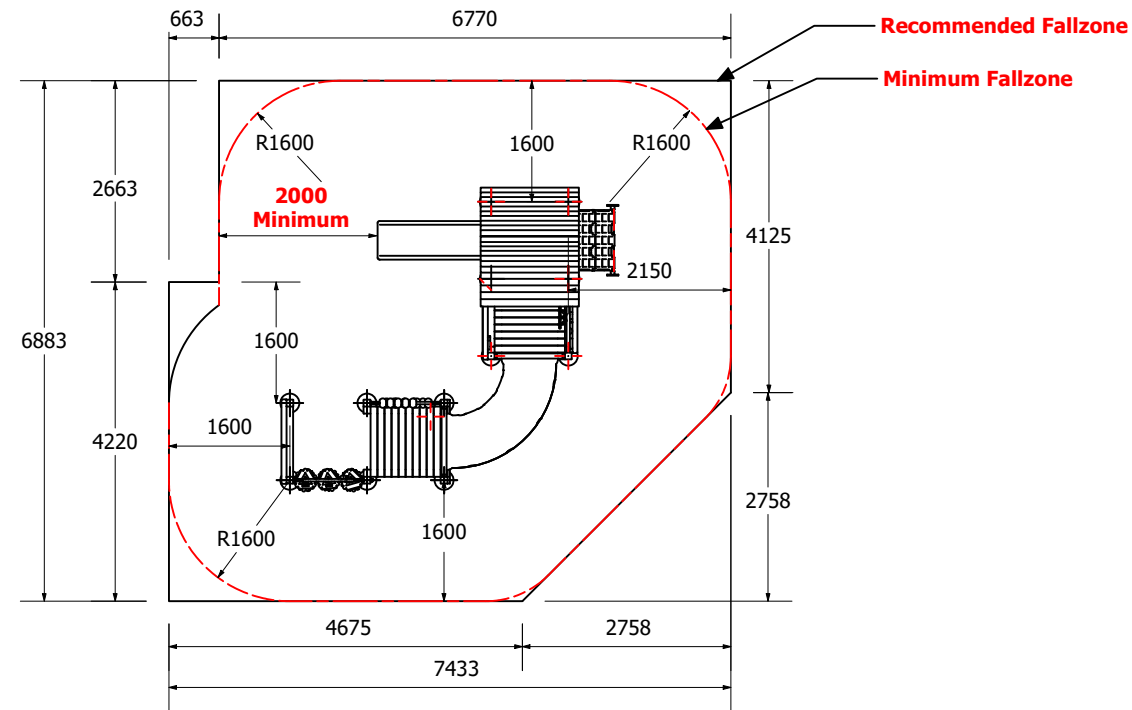


## Plan View



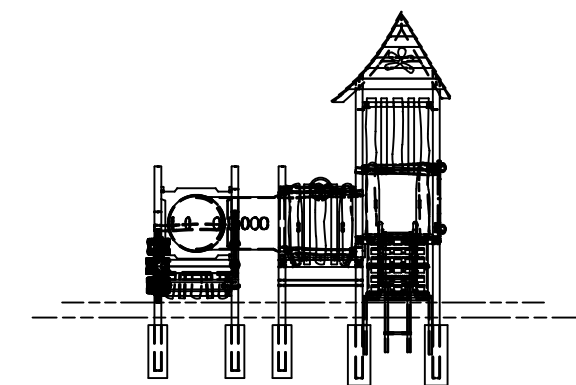
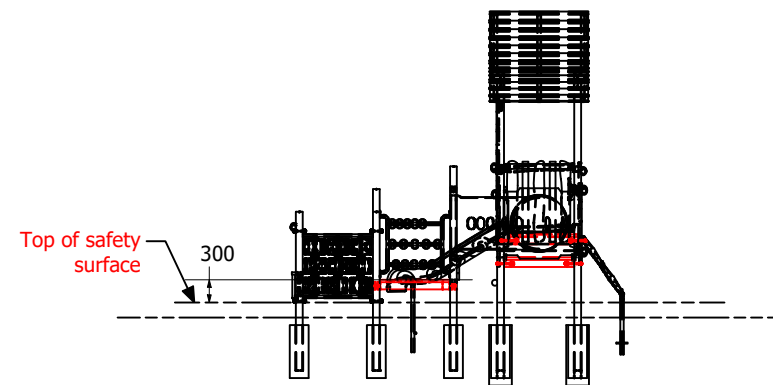
1:100 @ A3

### Fallzones



Front Elevation

Right Elevation



Technical Information	
Main Dimension	7433 x 6883
Total Area	51.2 m <sup>2</sup>
Max FHO	900
Heaviest Part	40kg
Compliant to	NZS 5828:2015 AS 4685:(series) EN 1176:2008

**Please note: This playground is easily accessible for those under 36 months.**

REVISION HISTORY			
REV	DESCRIPTION	DATE	BY
2	Creation	29/05/2020	Sam
3	Changed Crawl Tunnel Dimensions	13/6/2022	HS