

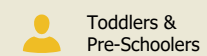


# Wanaka 107 - Urban

Product Code: MOMP107-U



Age groups appropriate for:



Toddlers & Pre-Schoolers



Primary to Big Kids



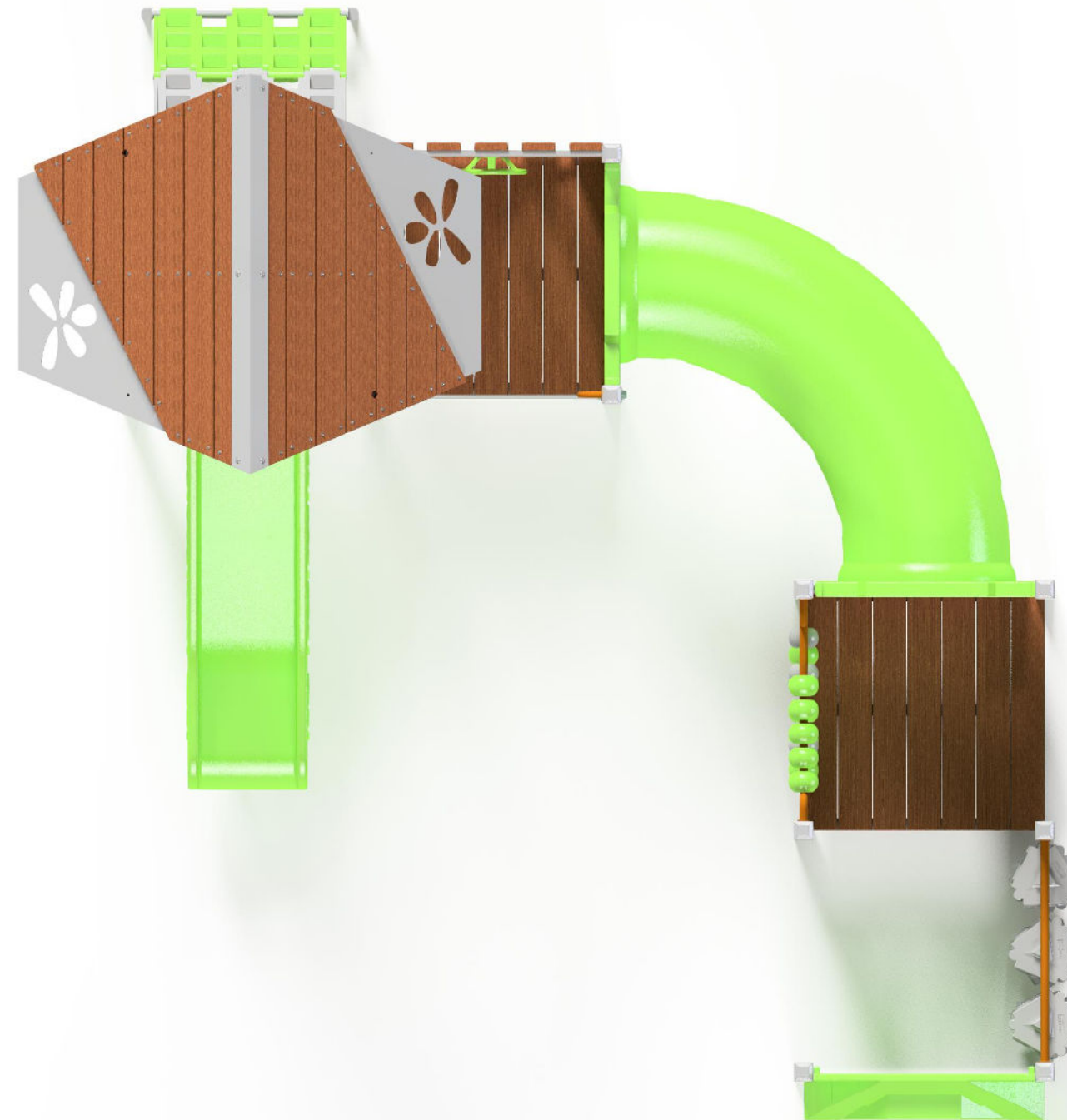
Teenagers to Young Adults



Whole family / Young at Heart

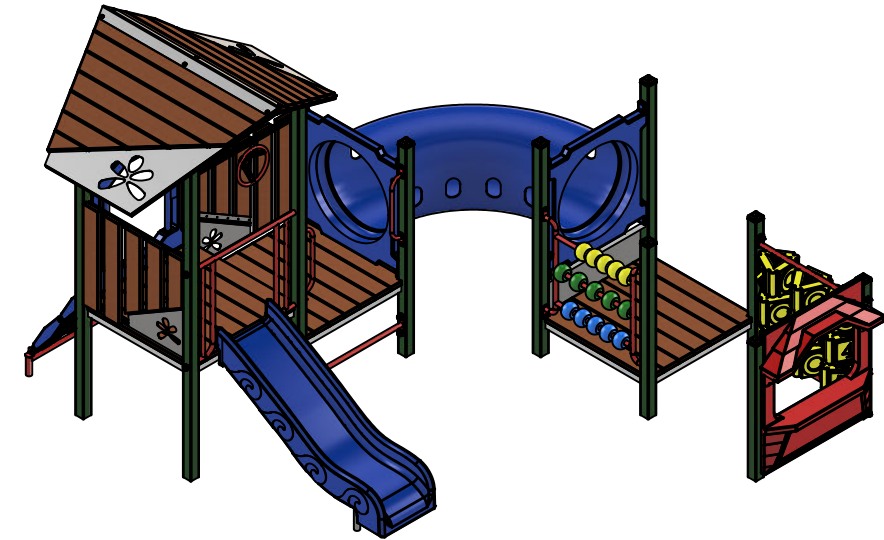
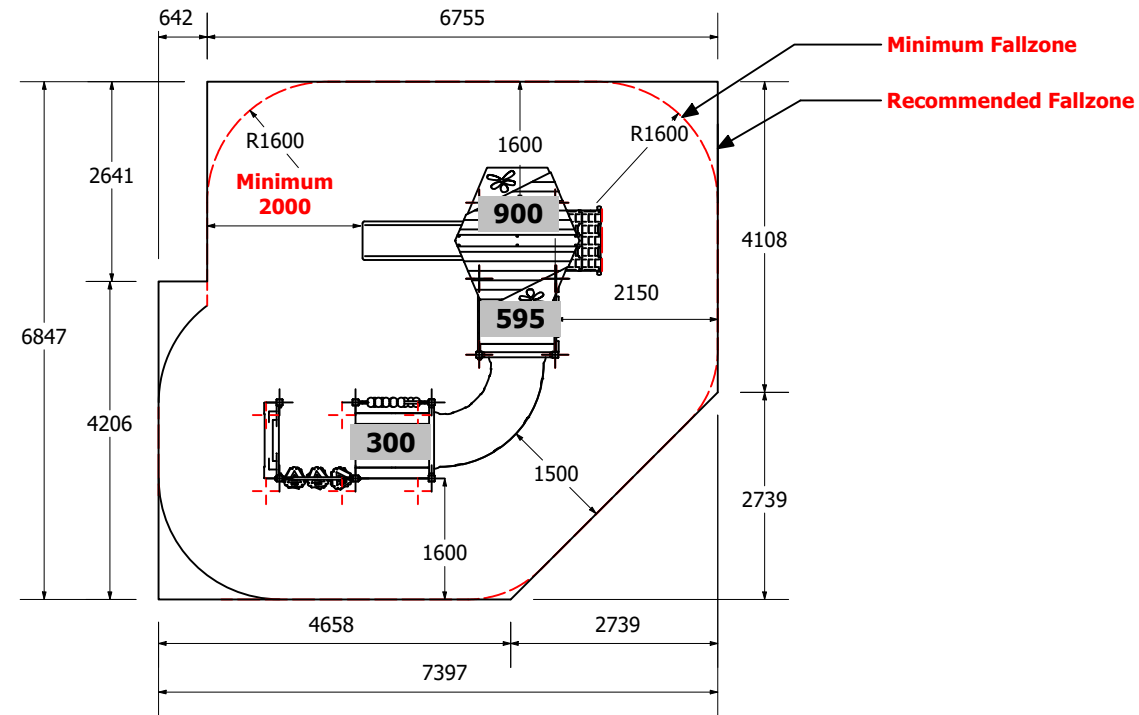
# Wanaka 107 - Urban

Product Code: MOMP107-U



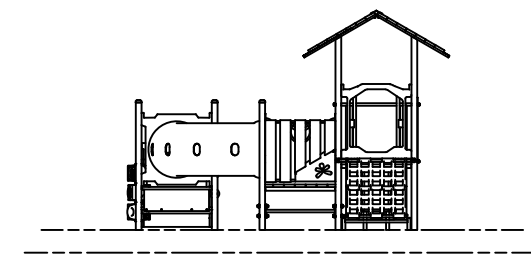
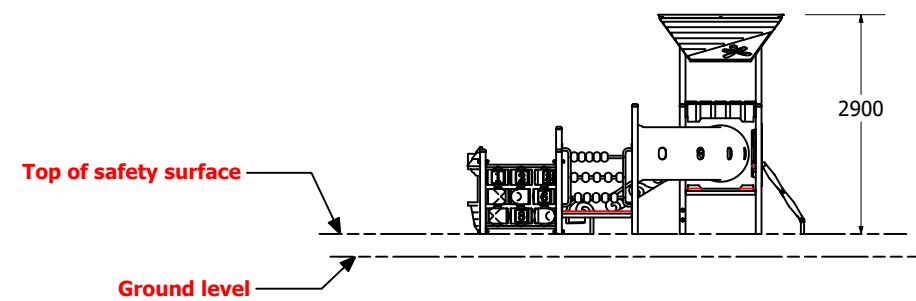
1:100 @ A3

### Fallzones



Front Elevation

Right Elevation



Technical Information	
Main Dimension	7397x6847
Total Area	50.7m <sup>2</sup>
Max FHO	900
Heaviest Part	40kg
Compliant to	NZS 5828:2015 AS 4685:(series) EN 1176:2008

**Please note: This playground is easily accessible for those under 36 months.**

REVISION HISTORY			
REV	DESCRIPTION	DATE	BY
2	Creation	29/05/2020	Sam
3	Changed Crawl Tunnel Dims	13/6/2022	HS