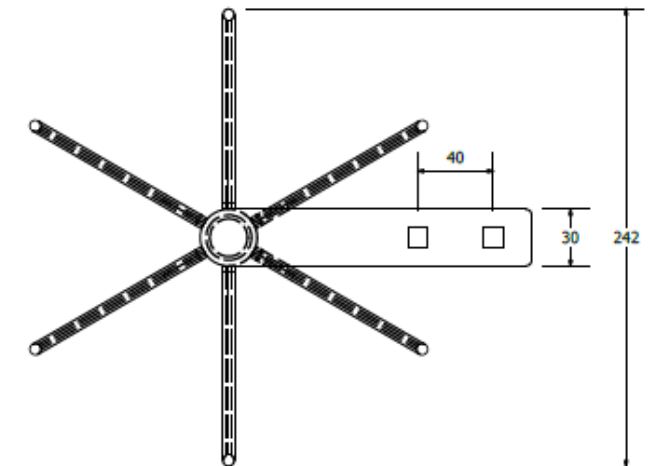
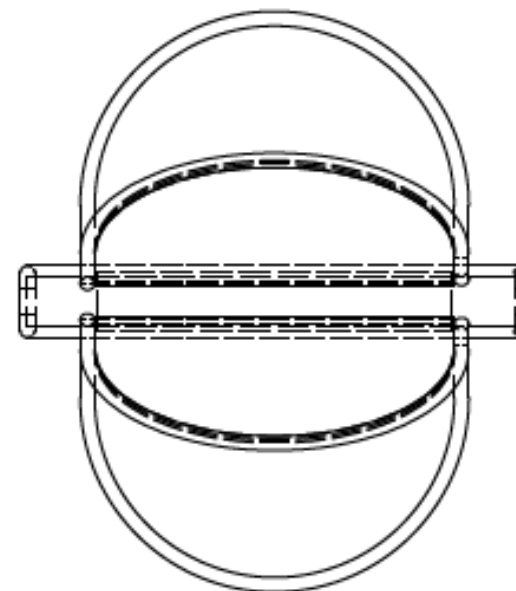
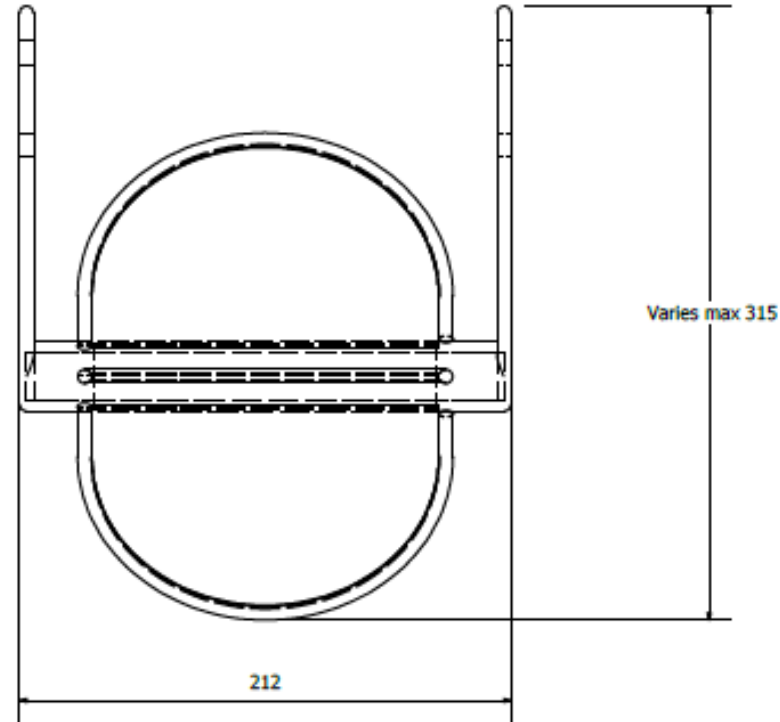
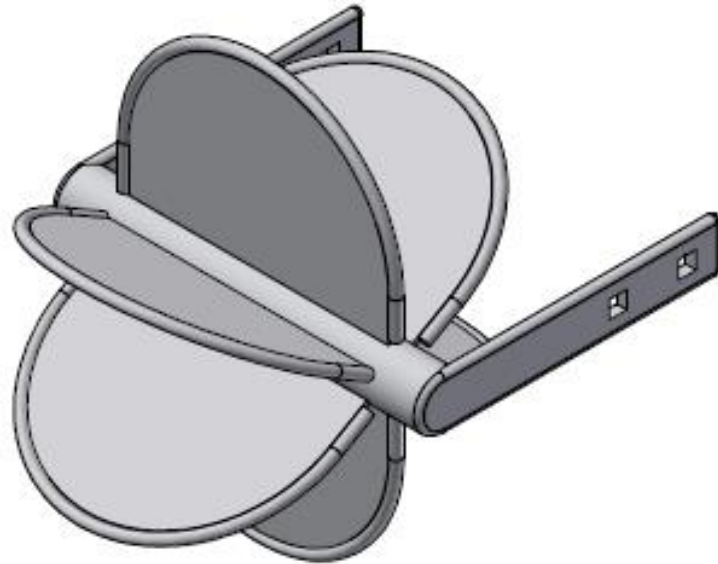


Water & Sand Mill Wheel SAWHWSC



Technical Information

Space Required	
Total Area	
FHOF	
Compliant	NZS 5828:2015 AS 4685:2017 EN 1176:2008