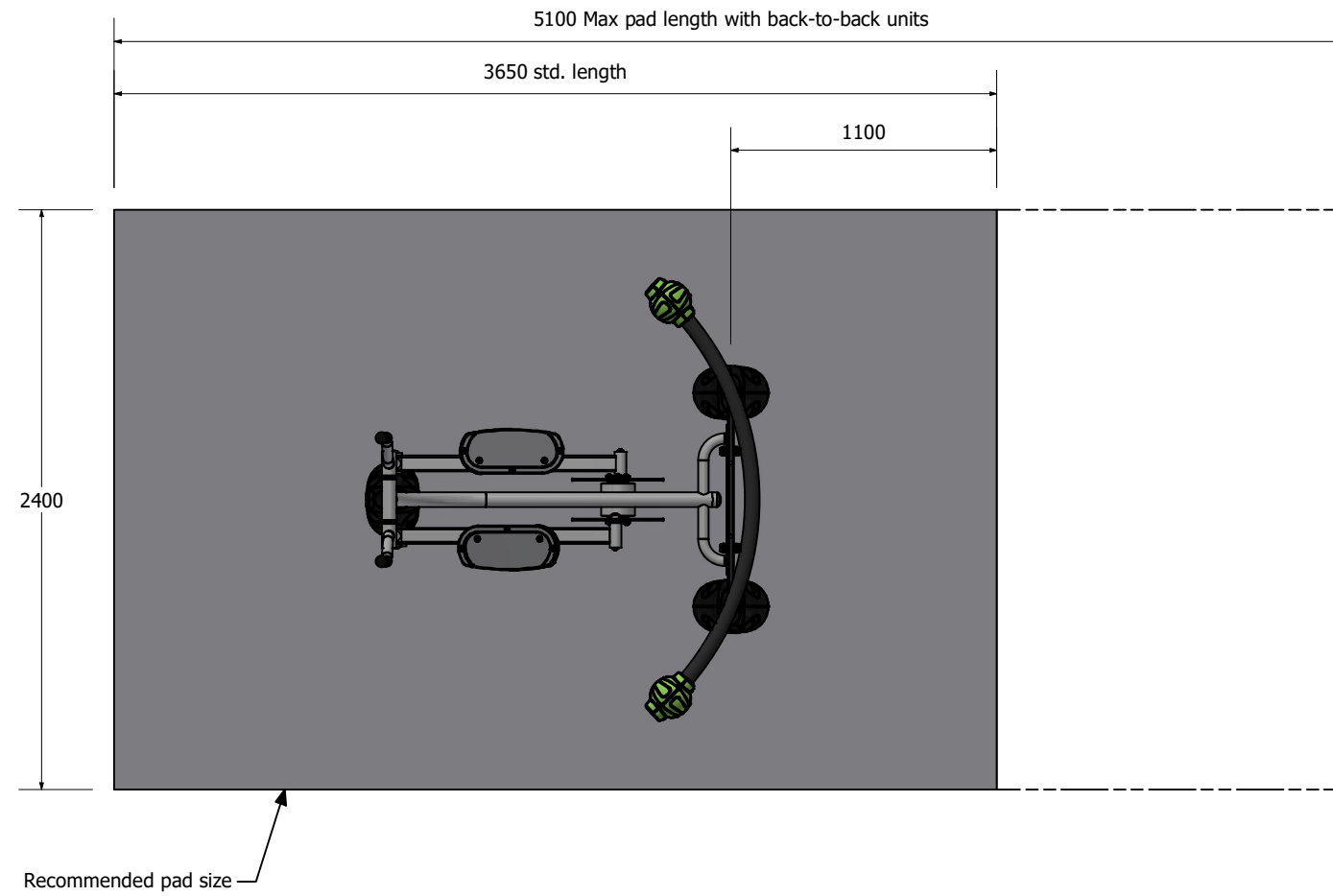


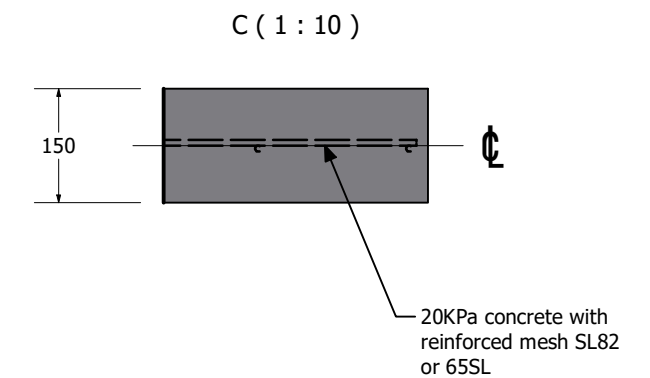
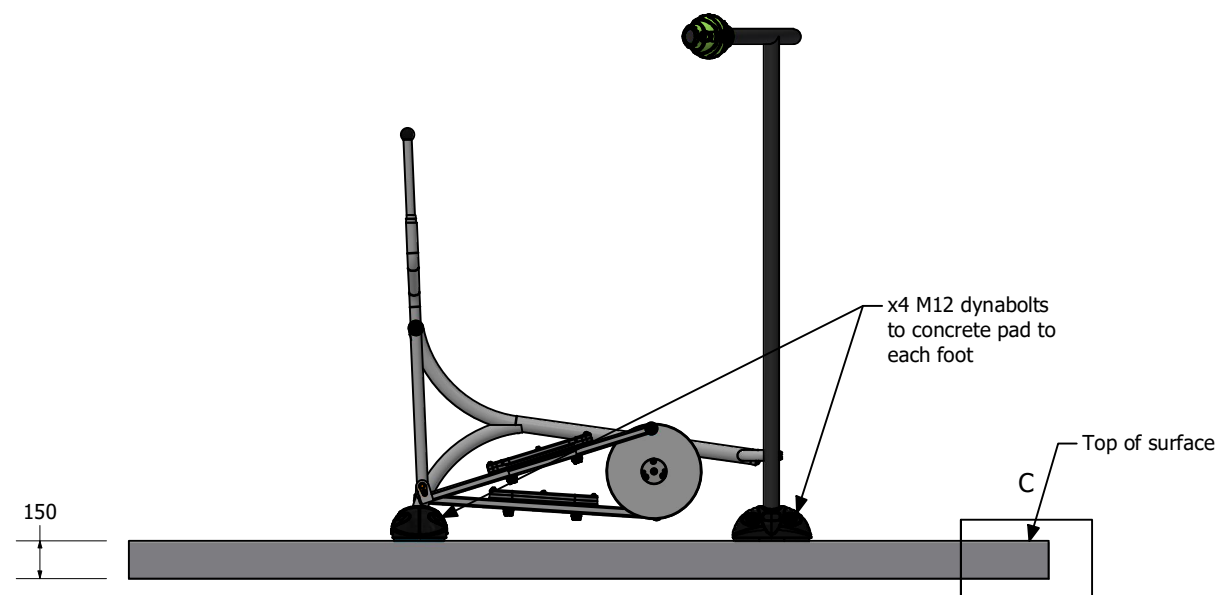
Flex Frame with Cycle Strider

Add another Flex Station to make it a combo.

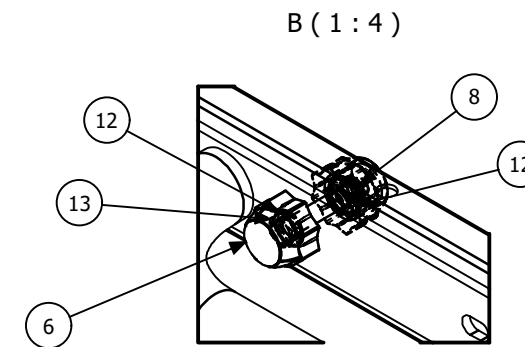
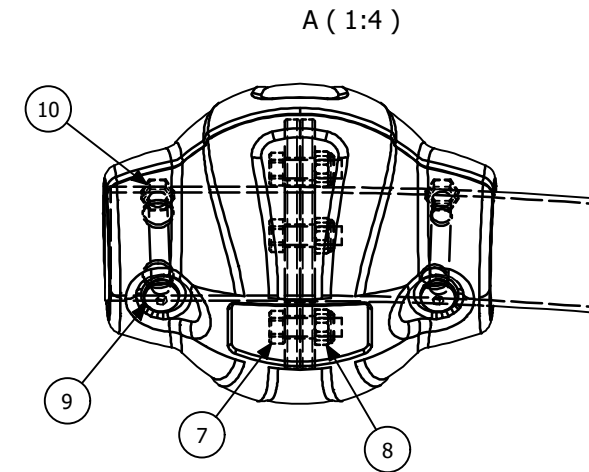
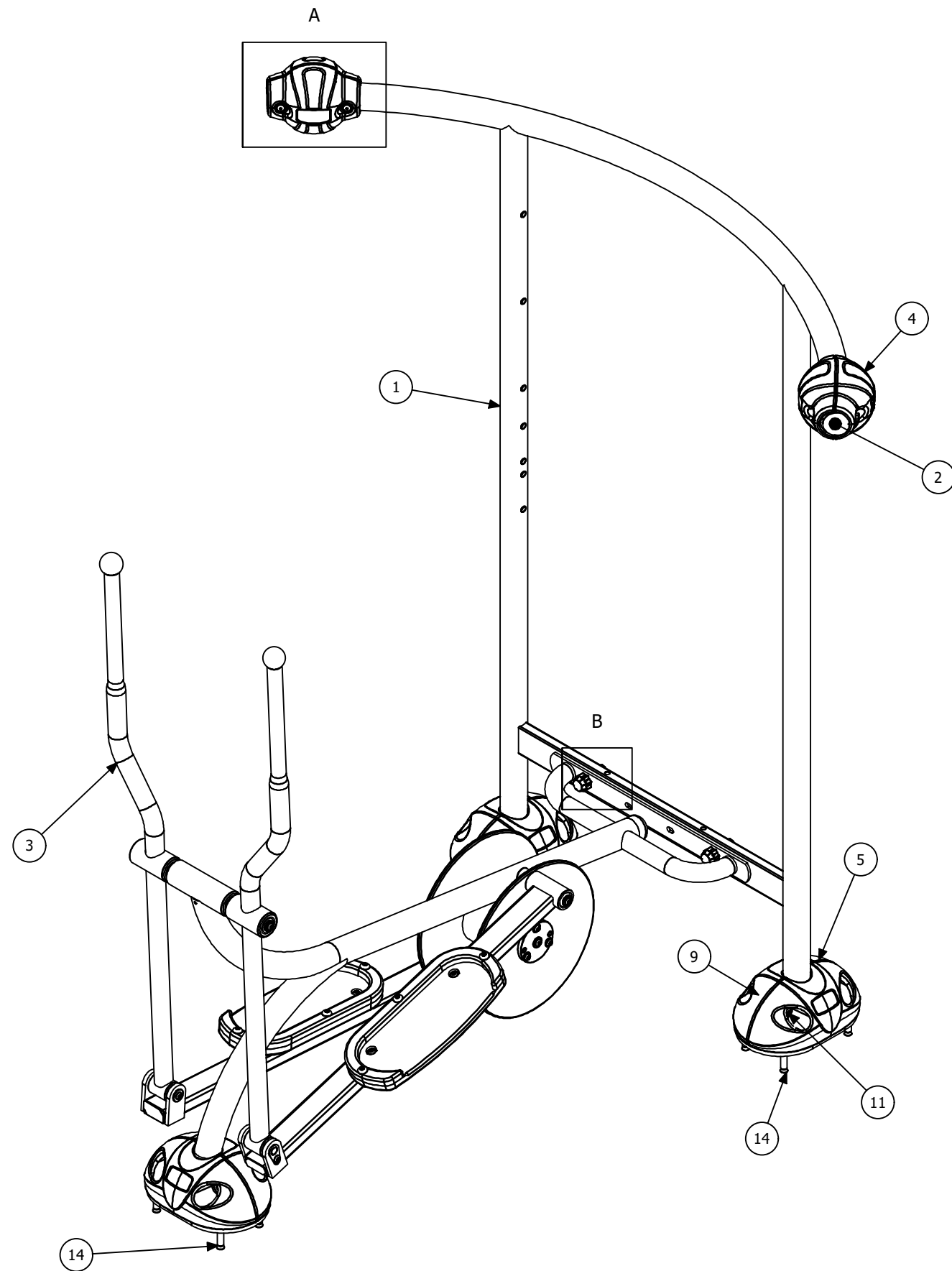
Max Health Fitness Station - Cycle Strider, OGCOCS



Note: Slab shown is standard across fitness station range. Size may be altered depending on equipment configuration.



Max Health Fitness Station - Cycle Strider, OGCOCS



PARTS LIST			
ITEM	QTY	PART NUMBER	DESCRIPTION
1	1	OGFV2FR	Duo Station Flex Frame
2	2	OGFV2EC	Fitness Frame End Cover Ø132 x 103mm
3	1	OGST815	Station 815 Cycle Strider
4	2	PLTIF00 - AP	Titan Flange Cover - Apple
5	2	PLOGFPC00	OGE Foot Plastic Covers - Black
6	4	PLSCI10GY	Security Cover & Insert - 10mm
7	6	FAENB2404	M10 x 30mm Galv Set Screw
8	8	FANYN4400	M10 S/S 304 Nyloc Nut
9	8	FARBN4402	M10 x 20 S/S 304 (T45) Prolok Resytork Button Barrel Nut
10	4	FAENB2414	M10 x 80mm Galv Engineering Bolt
11	4	FARBS4414	M10 x 80 S/S 304 (T45) Prolok Resytork Button Machine Screw
12	8	FAFLW4402	M10 x 21 x 1.2 S/S Flat Washer
13	2	FAENB4409	M10 x 55mm S/S 304 Eng Bolt
14	12	FASAD2513	M12 x 75 Galv Sleeve Anchor (Dynabolt)