

# Inclusive Carousel Tornado, Ø2.2m - with Hand Rails



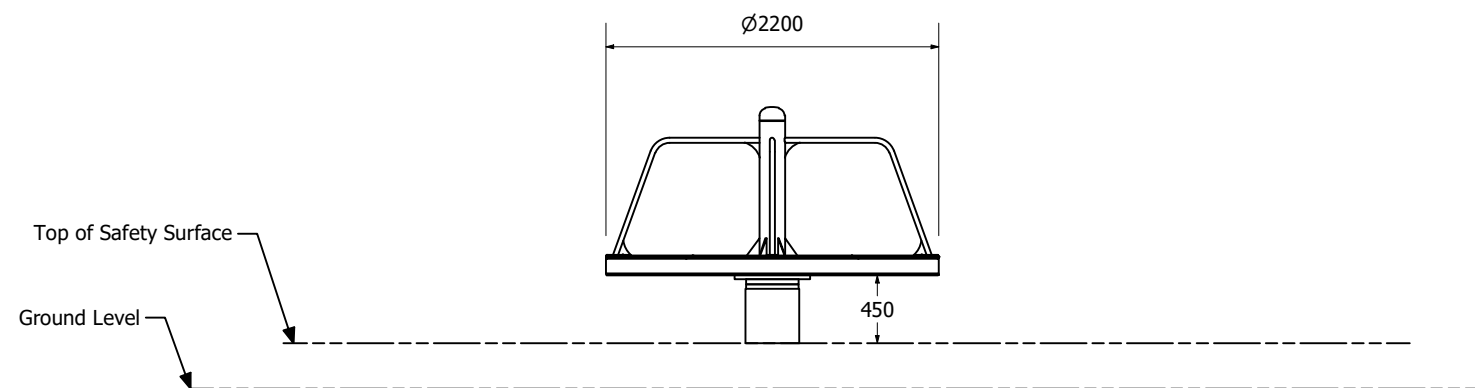
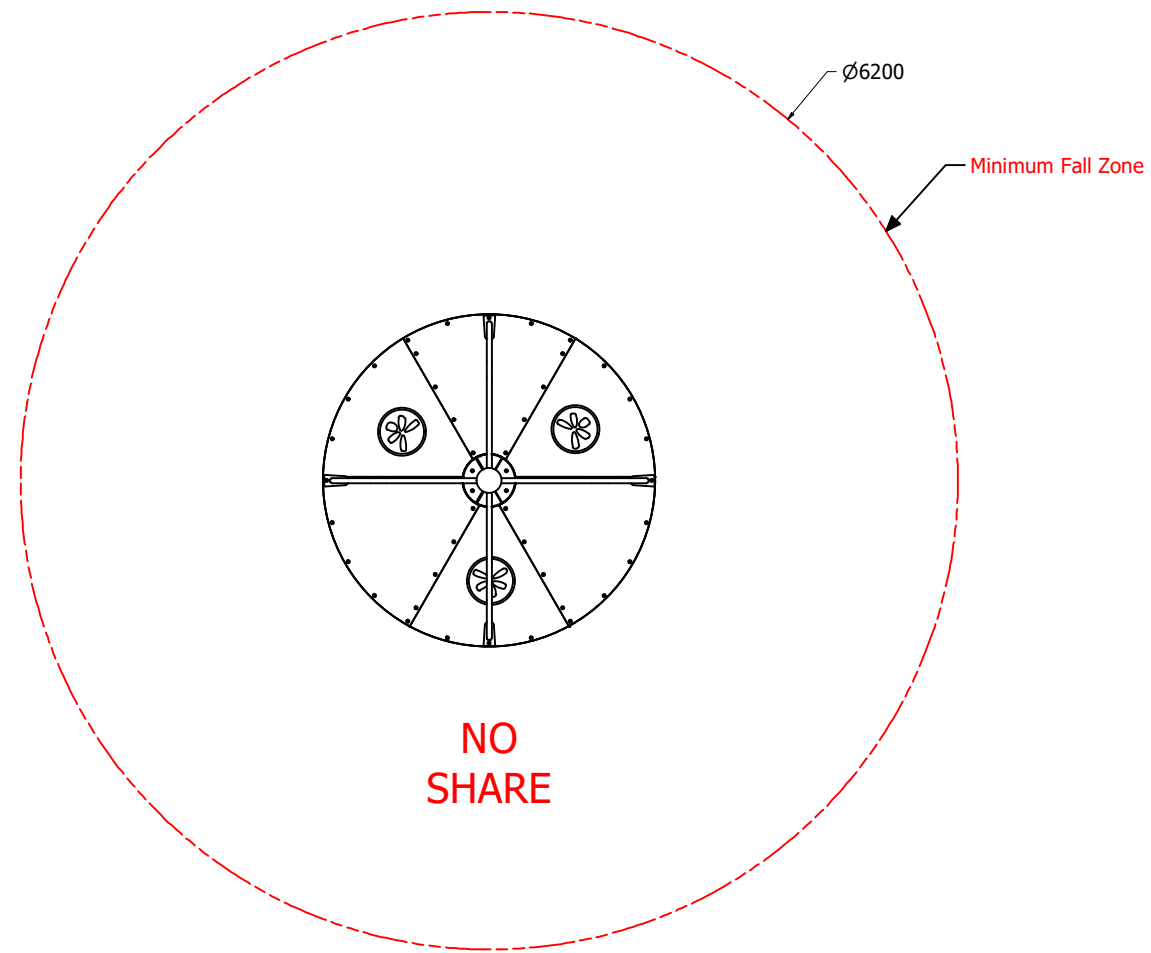
# Inclusive Carousel Tornado, Ø2.2m - with Hand Rails



# Inclusive Carousel Tornado, Ø2.2m - with Hand Rails

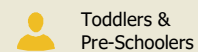


# Inclusive Carousel Tornado, Ø2.2m - with Hand Rails



Technical Information	
Main Dimension	Ø6200mm
Total Area	30.2m <sup>2</sup>
Max FHO	<1000mm
Heaviest Part	-
Compliant to	NZS 5828:2015 AS 4685:(series) EN 1176:2008

Age groups appropriate for:



Toddlers & Pre-Schoolers



Primary to Big Kids



Teenagers to Young Adults



Whole family / Young at Heart