

# Inclusive Carousel Typhoon, Ø2.2m



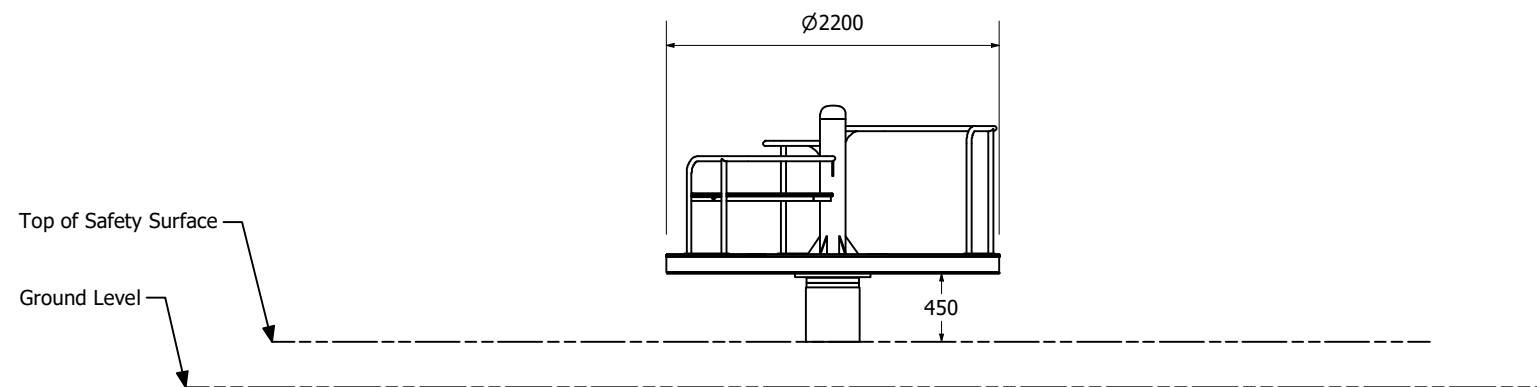
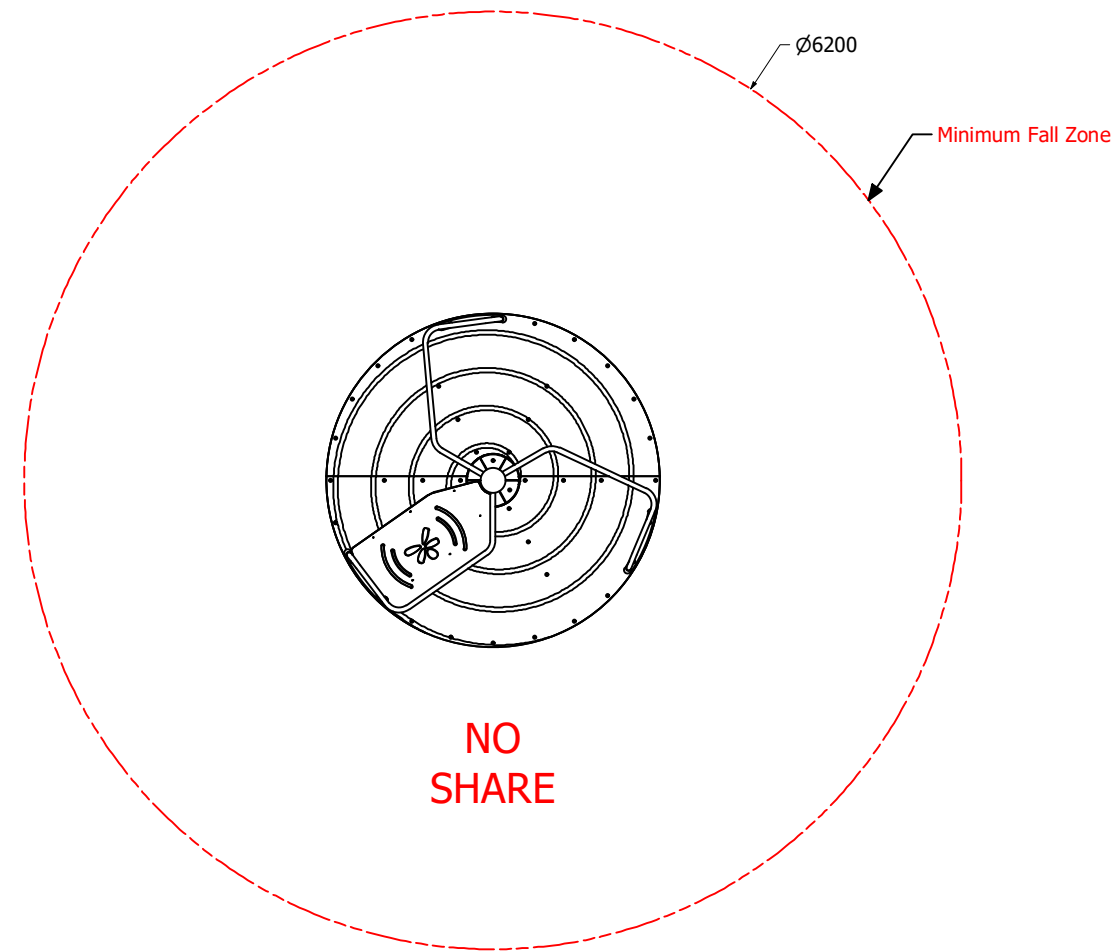
# Inclusive Carousel Typhoon, Ø2.2m



# Inclusive Carousel Typhoon, Ø2.2m



# Inclusive Carousel Typhoon, Ø2.2m



Technical Information	
Main Dimension	Ø6200mm
Total Area	30.2m <sup>2</sup>
Max FHOF	<1000mm
Heaviest Part	-
Compliant to	NZS 5828:2015 AS 4685:(series) EN 1176:2008

Age groups appropriate for:

