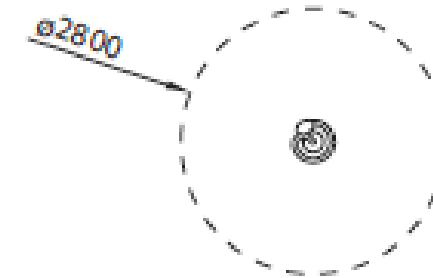


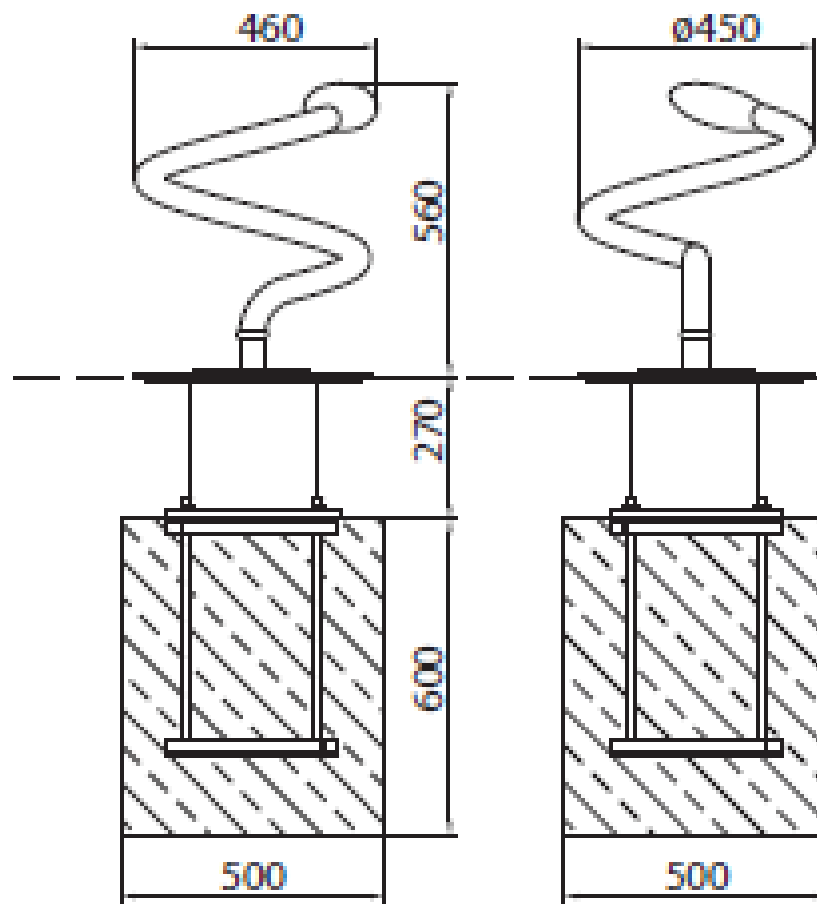
Technical Information

Space Required	∅ x H: 2800 x 3000 mm
Total Area	6.2 m2
Dimension	460 x 450 x 560 mm
FHOF	560 mm
Compliant	EN 1176:2017





A. Installation in synthetic safety surfacing



B. Installation in loose fill safety surfacing

