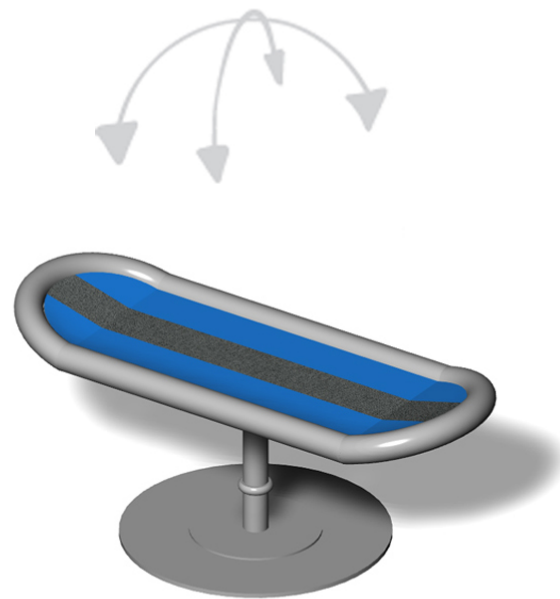


Playground proposal

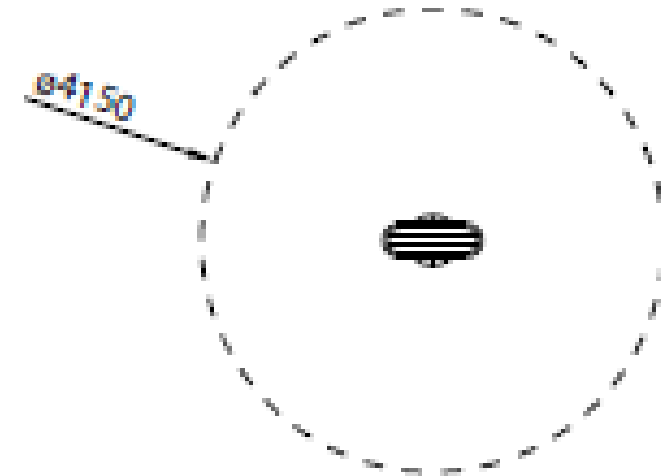
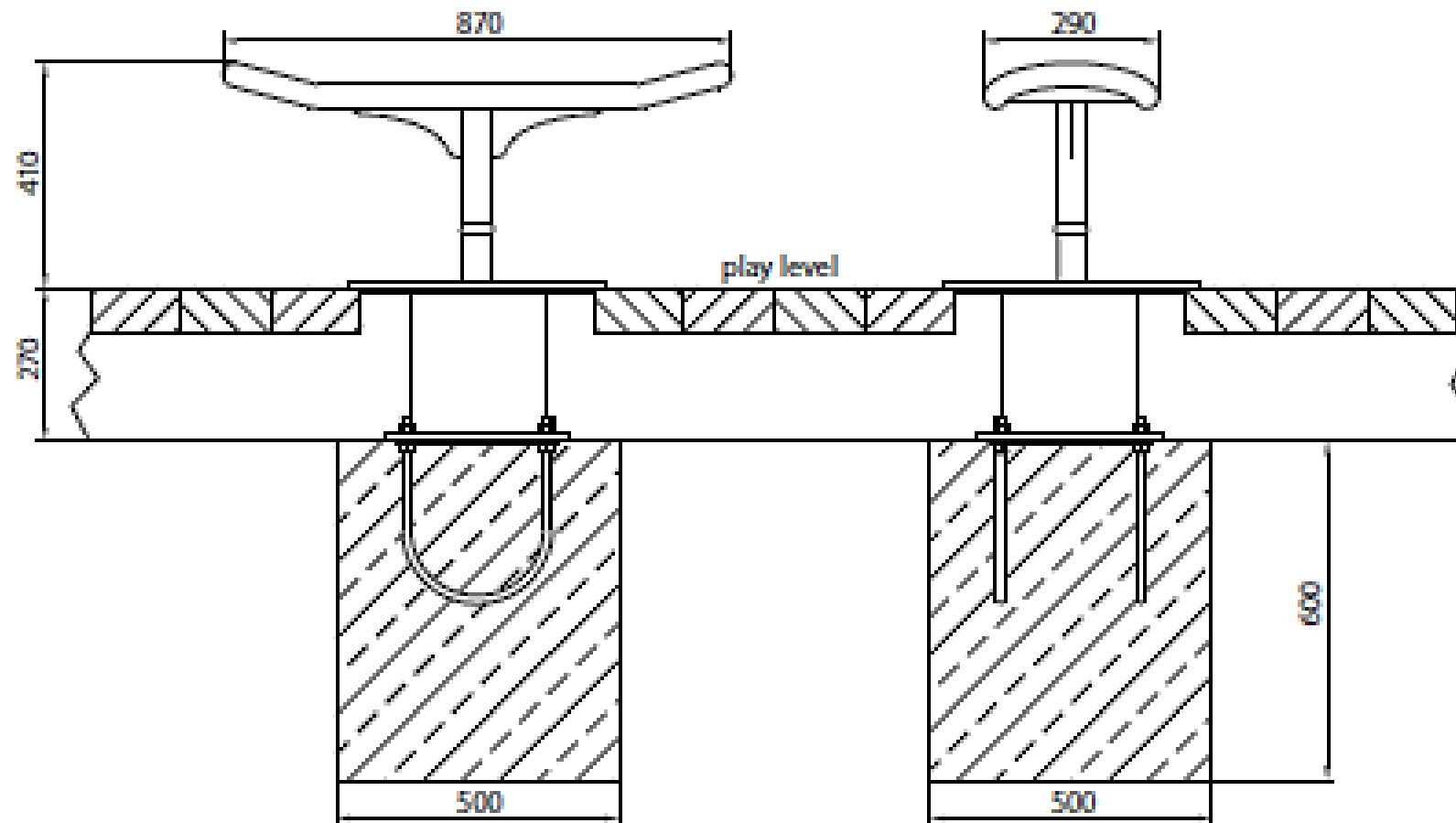
12/07/2023 Job Number Revision: 0

Board

50000066

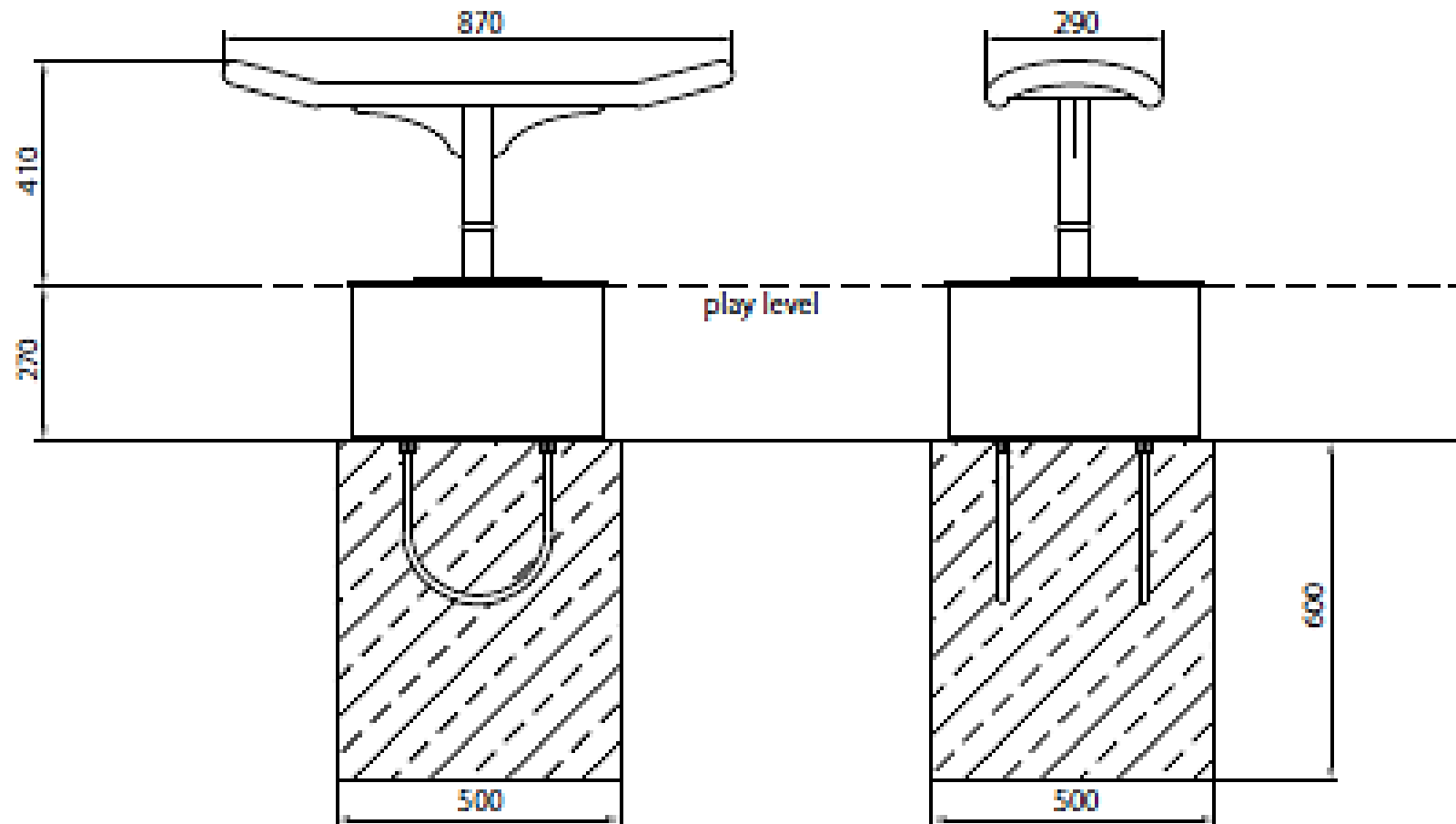


A. Installation in synthetic safety surfacing



Technical Information	
Space Required	∅ x h: 4,150 x 3,000 mm
Total Area	13.5m ²
Dimension	870 x 290 x 410 mm
FHOF	500mm
Compliant	EN 1176:2017

B. Installation in loose fill safety surfacing



Technical Information	
Space Required	∅ x h: 4,150 x 3,000 mm
Total Area	13.5m ²
Dimension	870 x 290 x 410 mm
FHOF	500mm
Compliant	EN 1176:2017