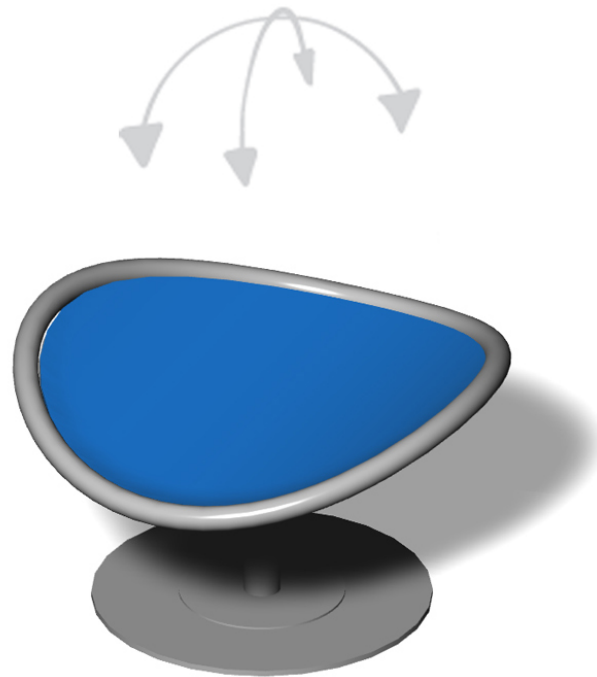
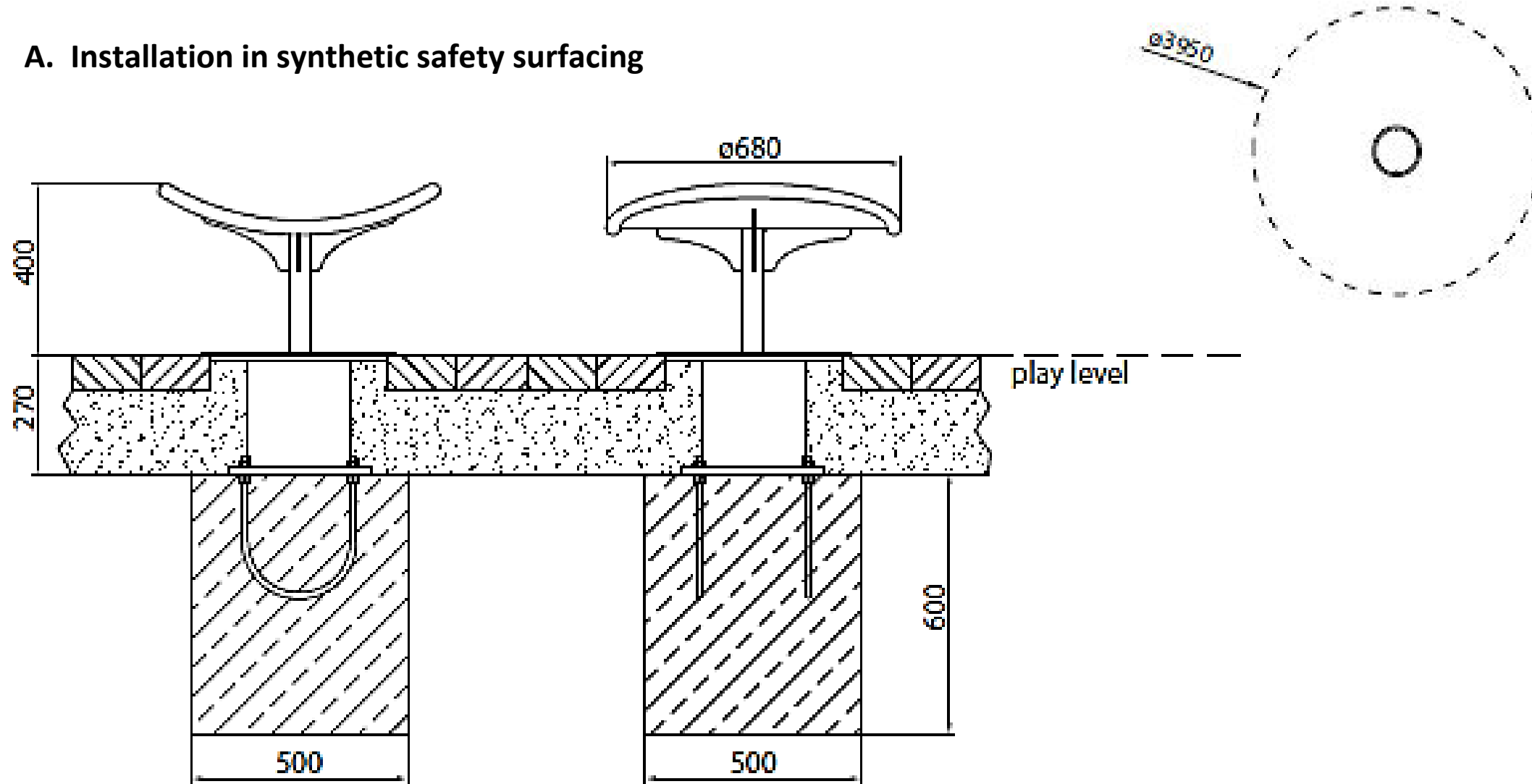


Chips

50000157

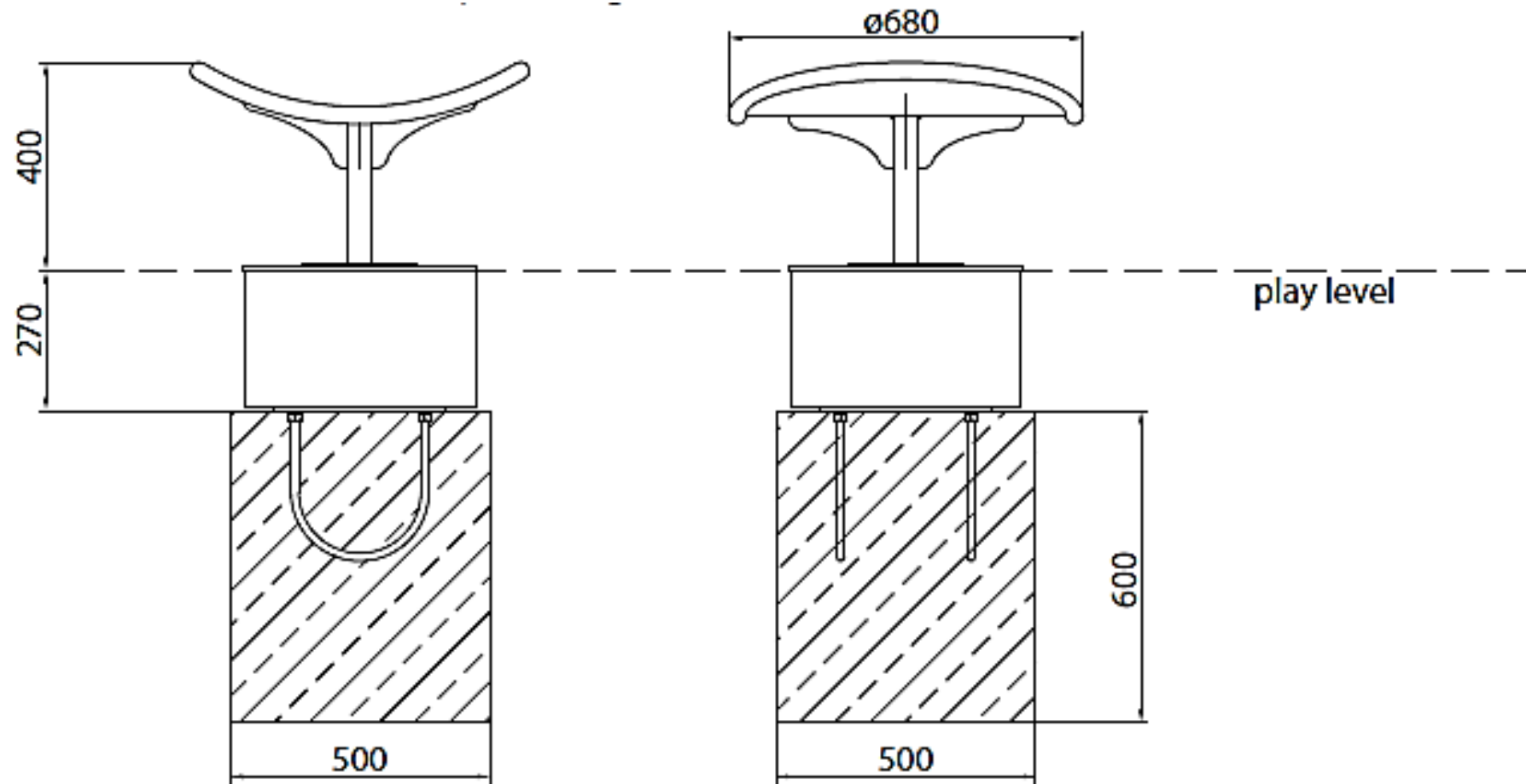


A. Installation in synthetic safety surfacing



Technical Information	
Space Required	∅ x h: 3,950 x 3,000 mm
Total Area	12.25m ²
Dimension	675 x 400 mm
FHOF	490mm
Compliant	EN 1176:2017

B. Installation in loose fill safety surfacing



Technical Information	
Space Required	∅ x h: 3,950 x 3,000 mm
Total Area	12.25m ²
Dimension	675 x 400 mm
FHOF	490mm
Compliant	EN 1176:2017