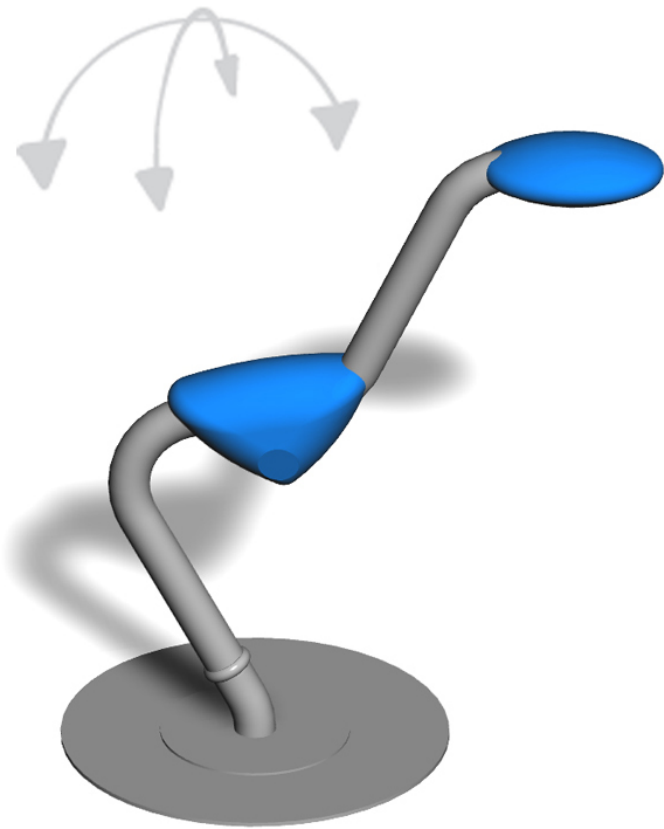
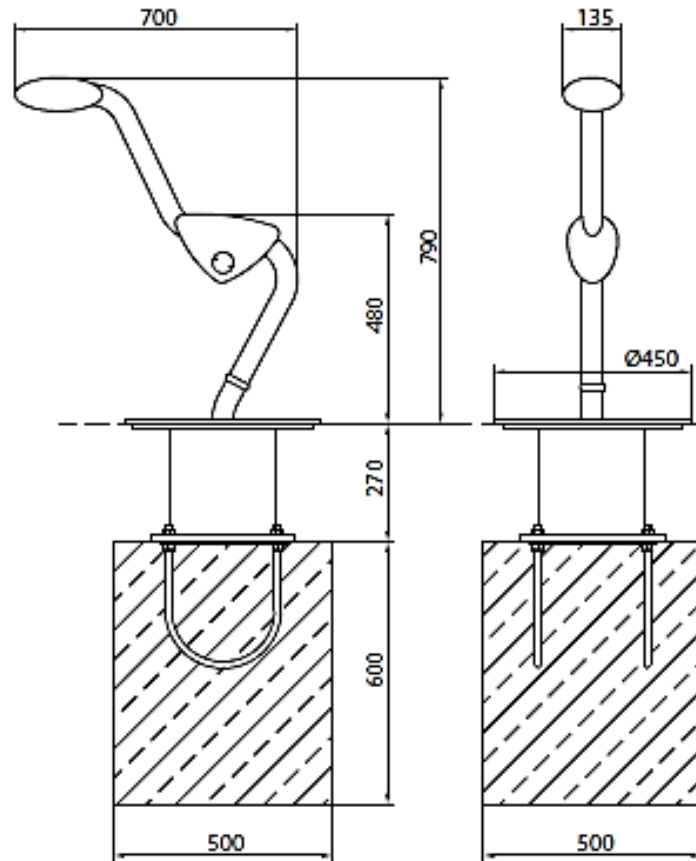


Dino

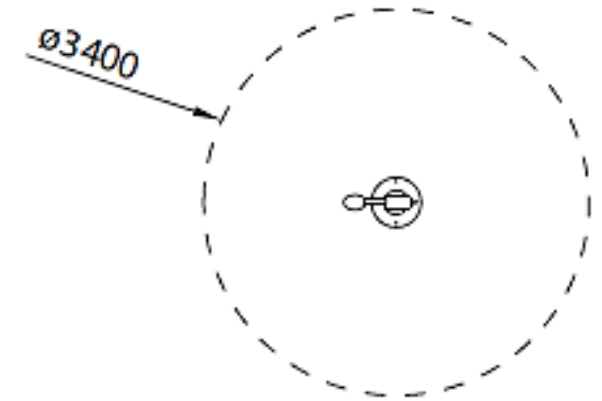
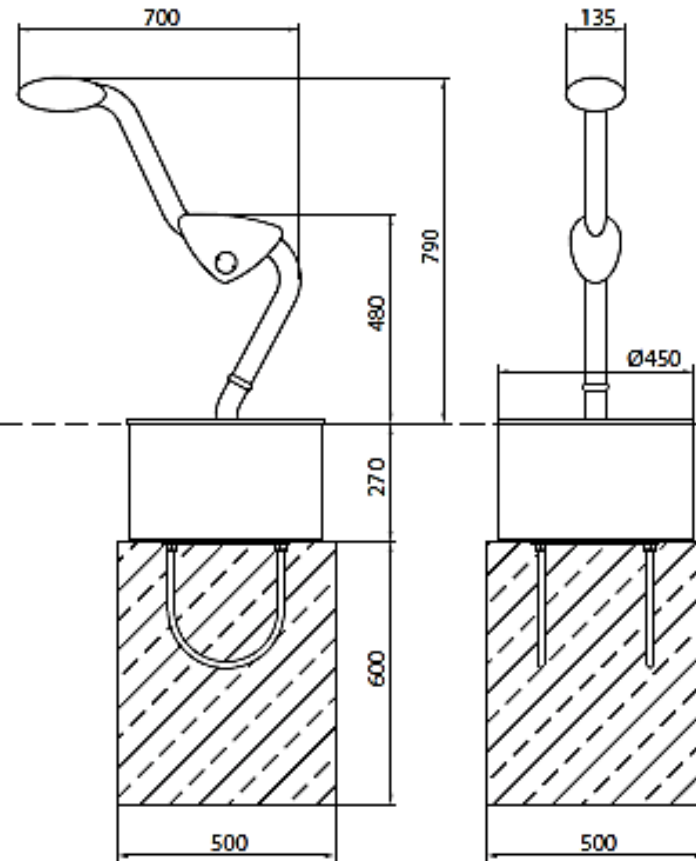
50000086



A. Installation in synthetic safety surfacing



B. Installation in loose fill safety surfacing



Technical Information	
Space Required	Ø x h: 3,400 x 2,500 mm
Total Area	9.1 m ²
Dimension	700 x 135 x 790 mm
FHOF	550mm
Compliant	EN 1176:2017