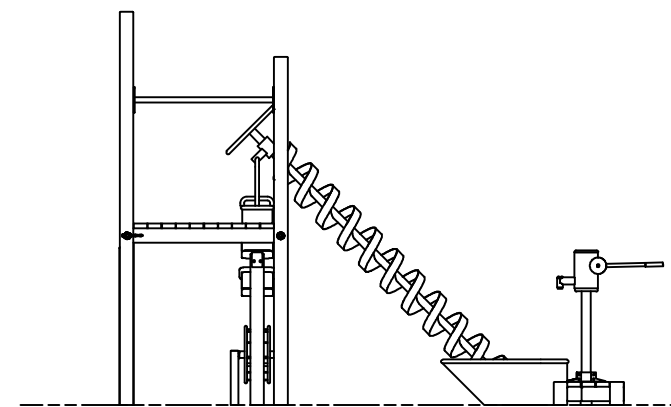
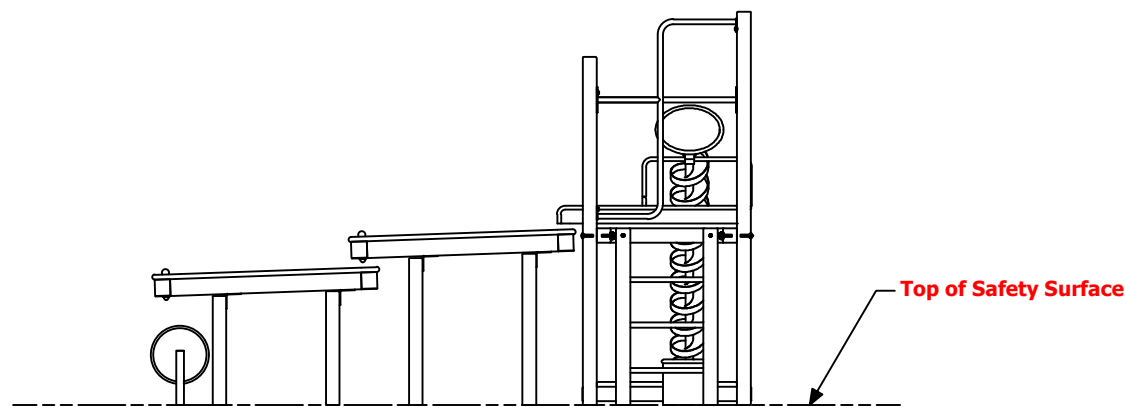
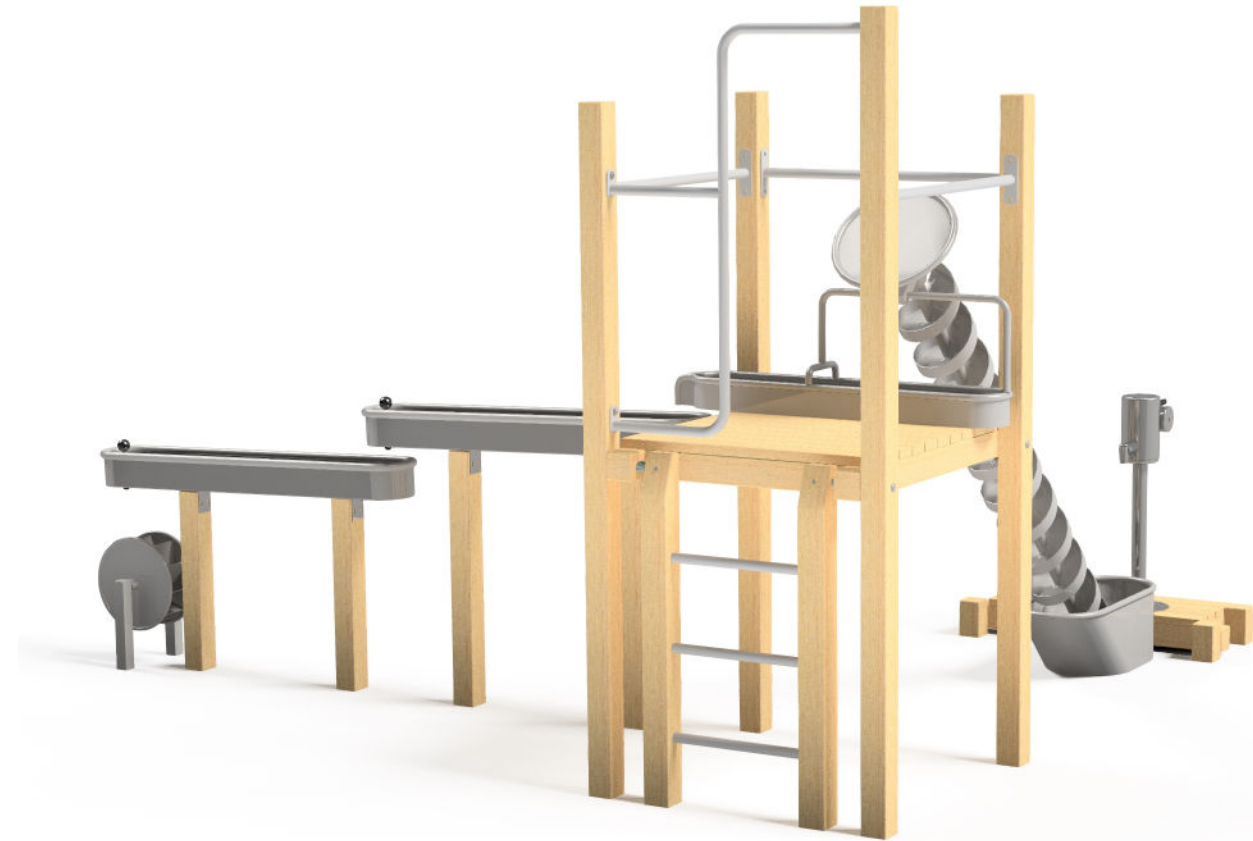
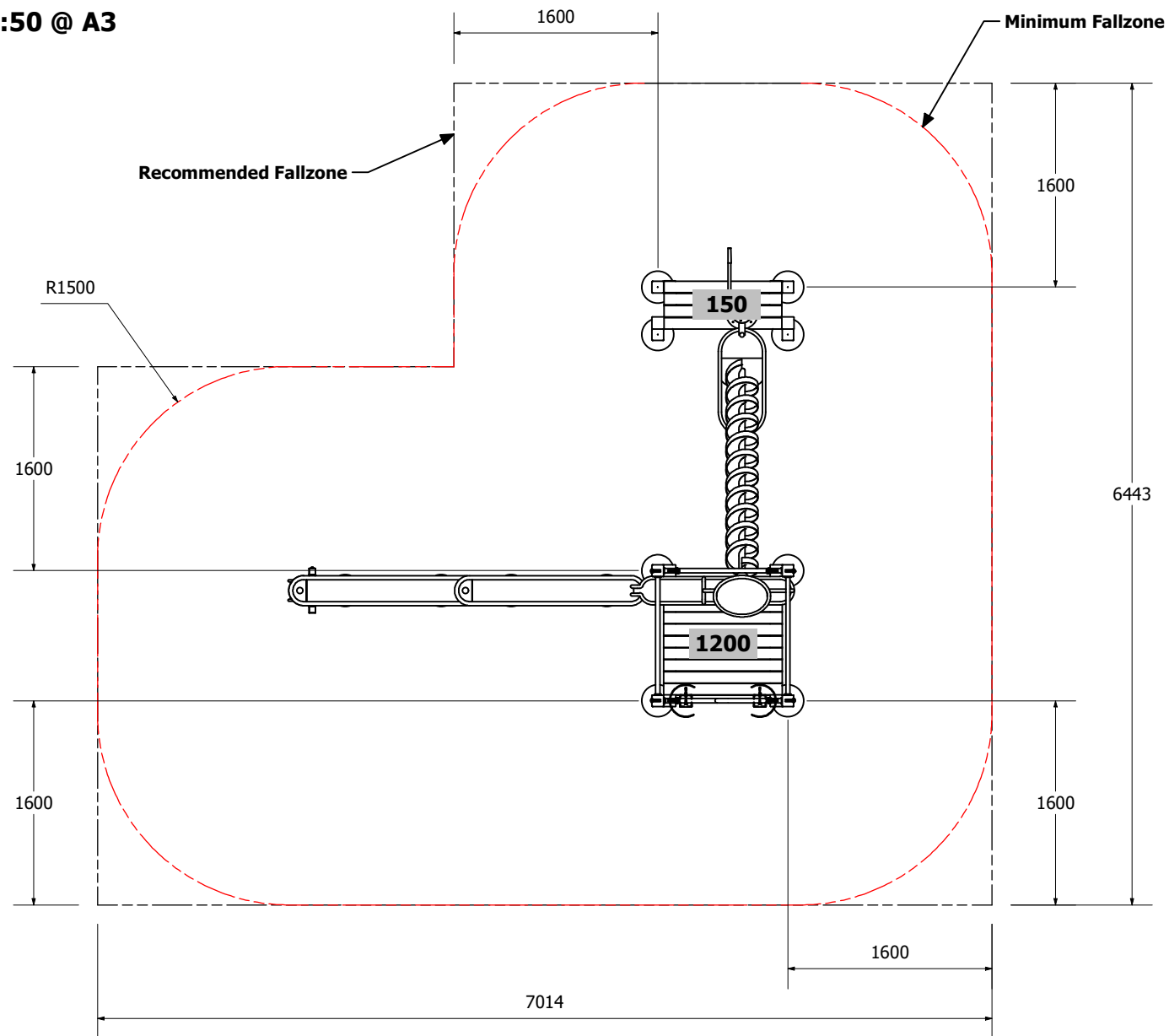


***Depending on pump availability, the actual pump supplied may vary from what is shown on the renders.
The [Water Pump with Hand Wheel](#) is normally available, but please get confirmation from our sales consultant at point of order.*

Fallzones

1:50 @ A3



Technical Information	
Main Dimension	7014x6443mm
Total Area	37m2
Max FHOF	1200mm
Heaviest Part	
Compliant to	NZS 5828:2015 AS 4685:2017 EN 1176:2008