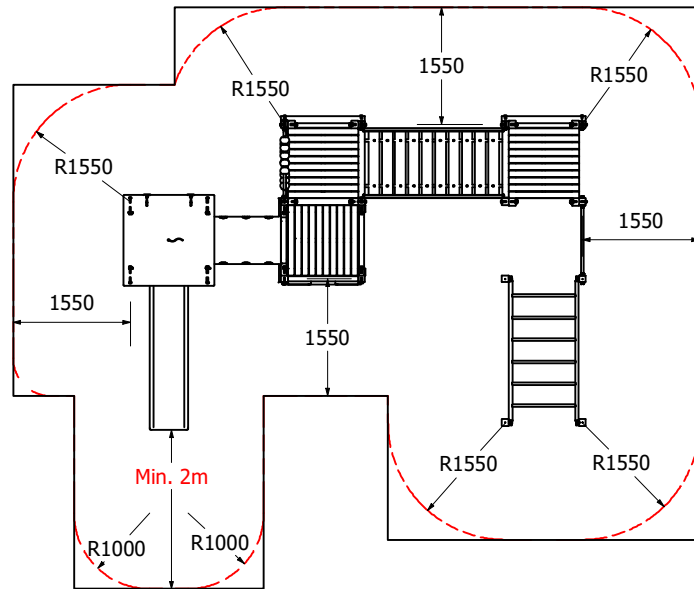


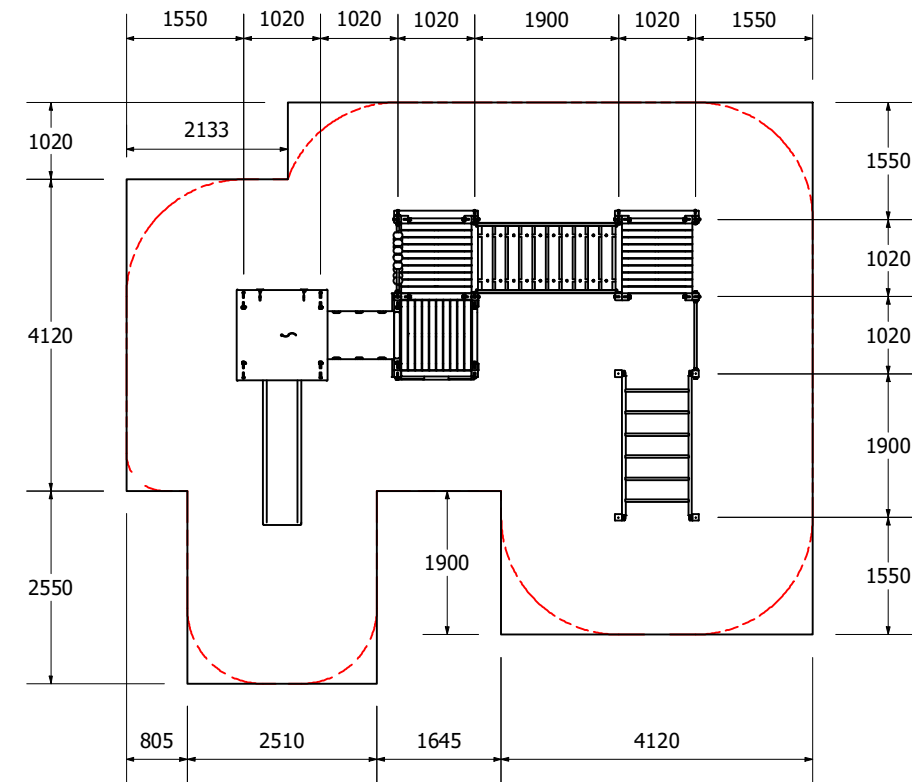
Technical Information	
Main Dimension	9080 x 7690mm
Total Area	69.8m ²
Max FHO	1500mm
Heaviest Part	70kg
Compliant to	NZS 5828:2015 AS 4685:(series) EN 1176:2008

1 : 100 @ A3

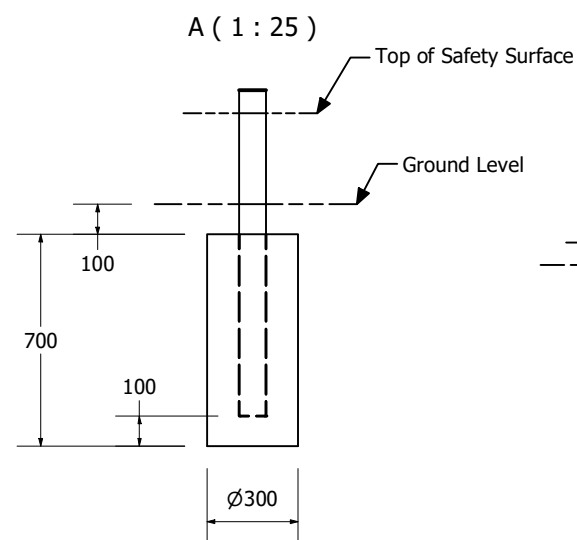
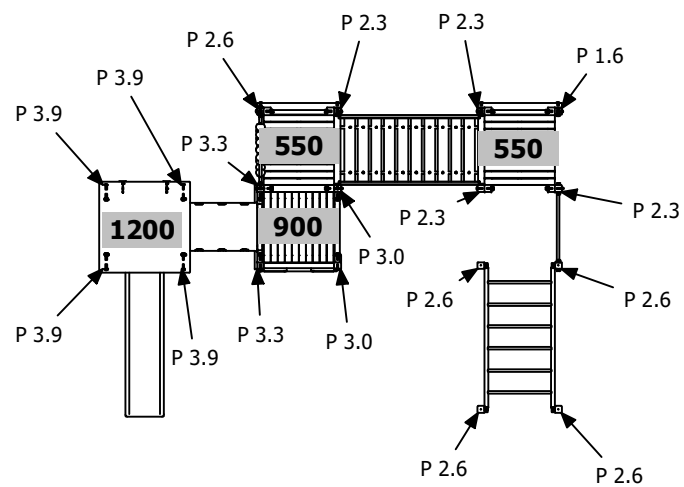
Fallzones



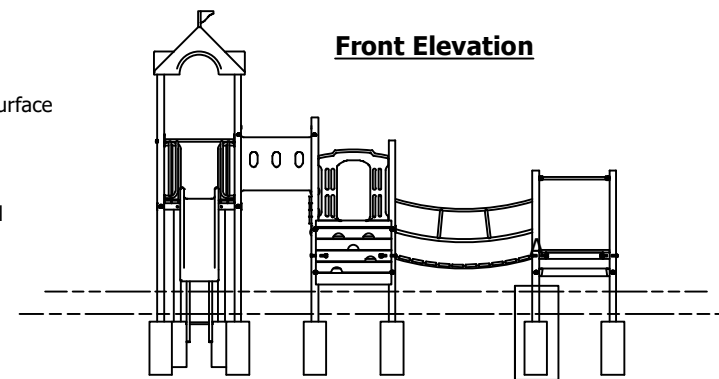
Pole Dimensions



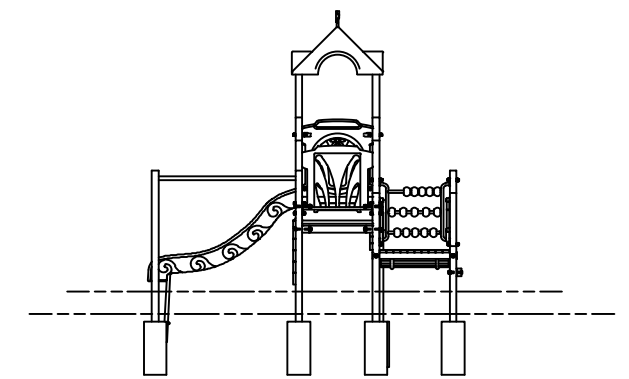
Pole Type



Front Elevation



Right Elevation



REVISION HISTORY			
REV	DESCRIPTION	DATE	BY
0	Creation	19/05/2023	CAD2
1	Various changes	15/06/2023	FJC
2	Changed bridge rails	20.06.23	FJC