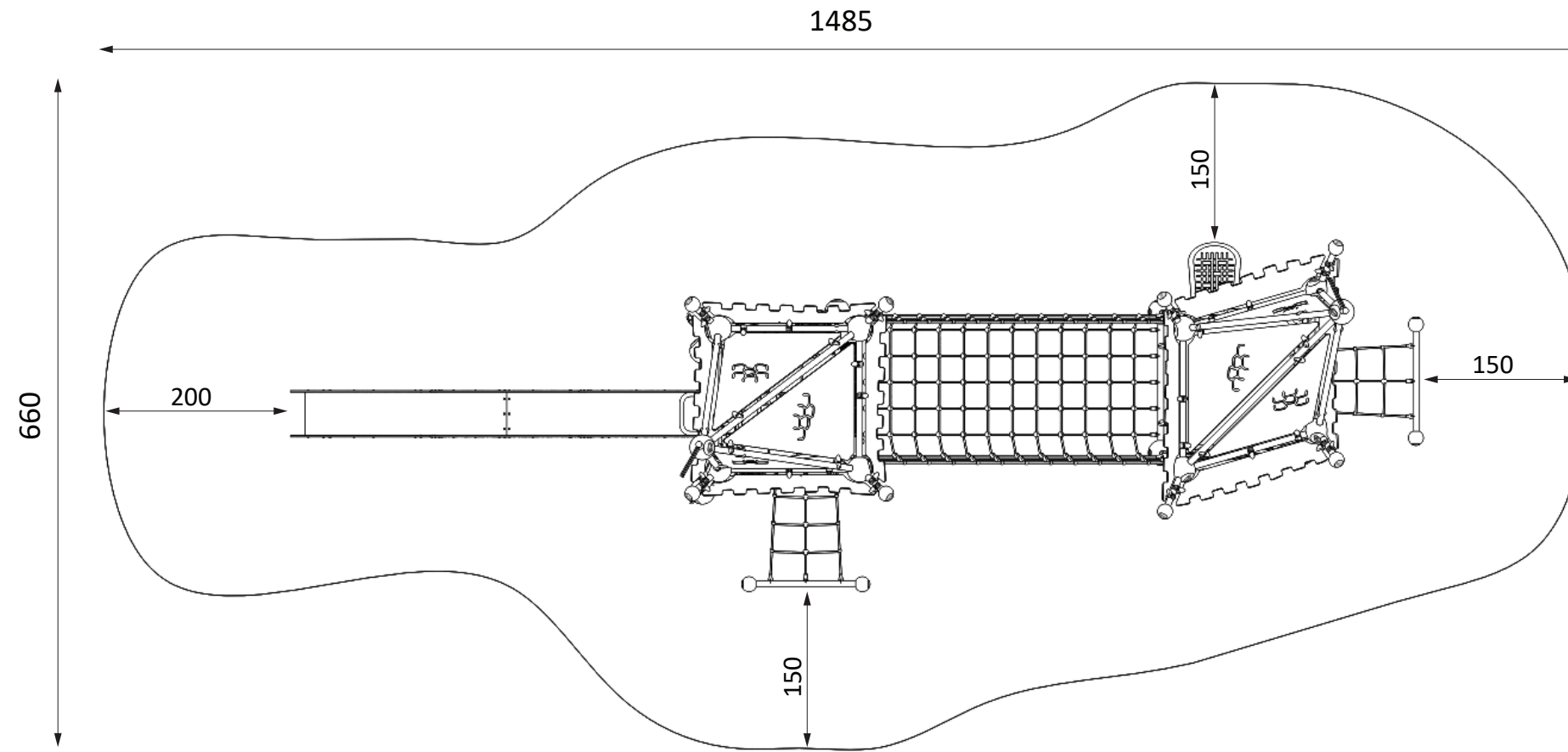


Castello Series- GGCS 1001- P

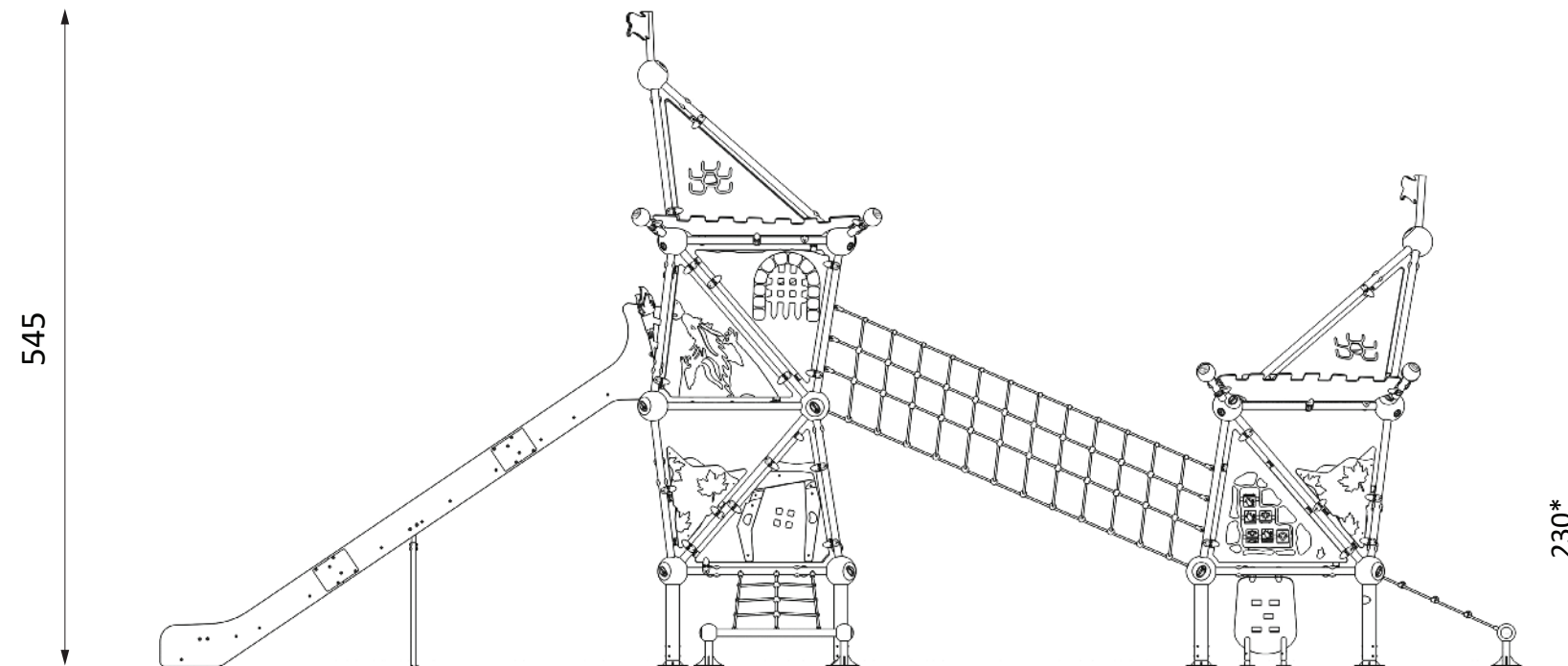
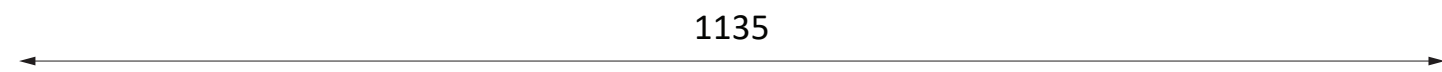


Castello Series- GGCS 1001- P

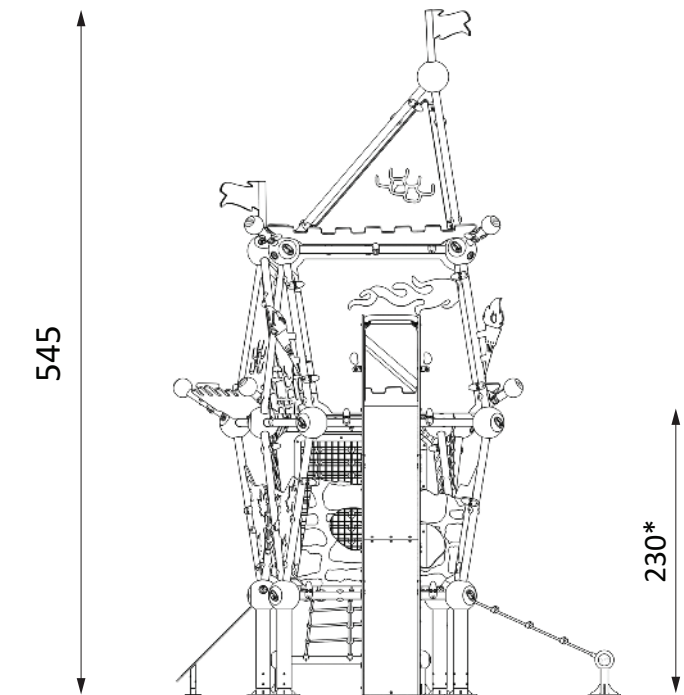


TOP VIEW

Technical Information	
Main Dimension (L x W x H)	11.35 x 3.3 x 5.45 m
Safety Area	69 m ²
Max FHOH	2.3 m
Capacity	25
Compliant to	NZS 5828:2015 EN 1176



FRONT VIEW



SIDE VIEW

*Maximum Fall Height. Dimensions shown are in cm