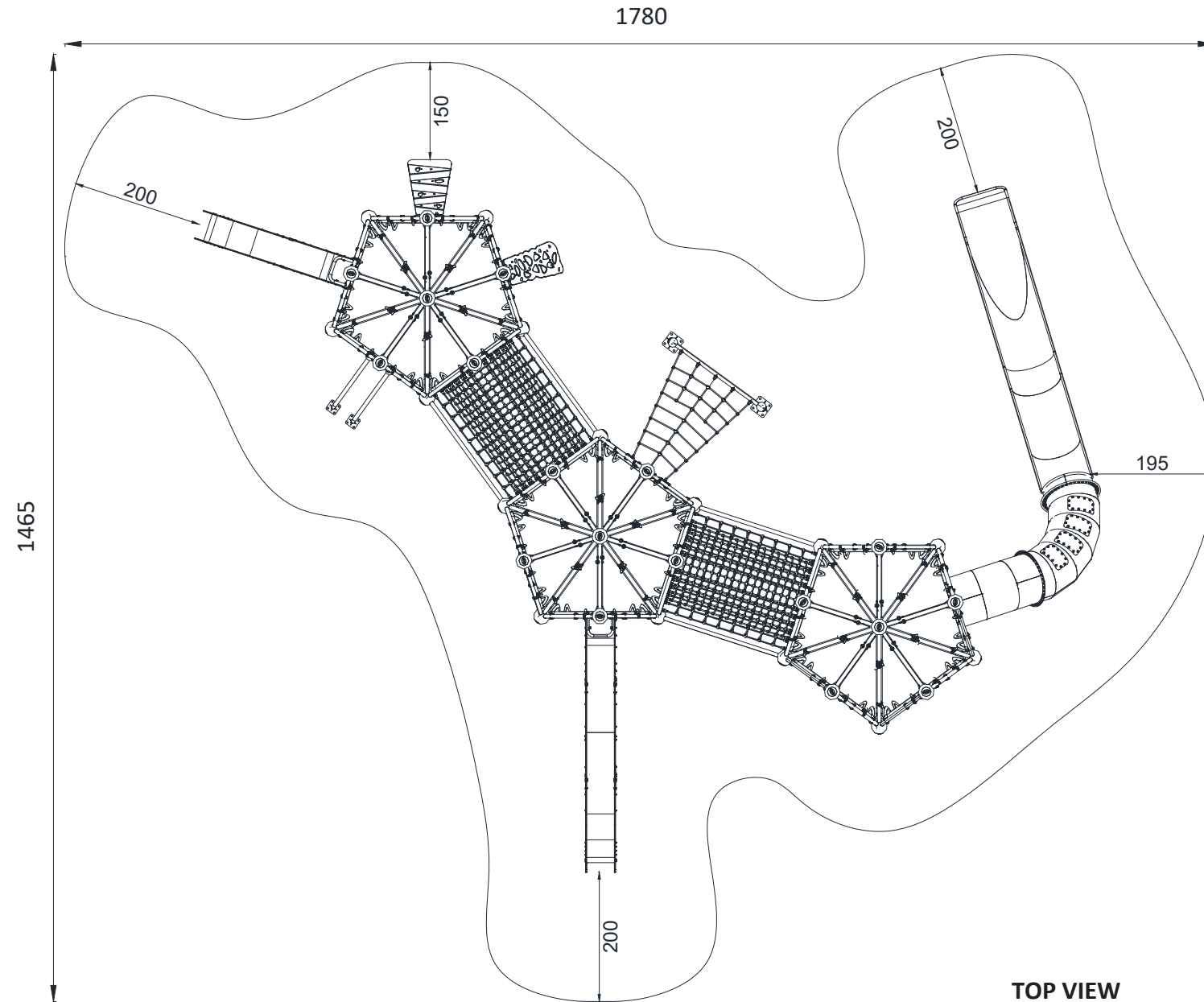


Jungle Series GGJS 1017

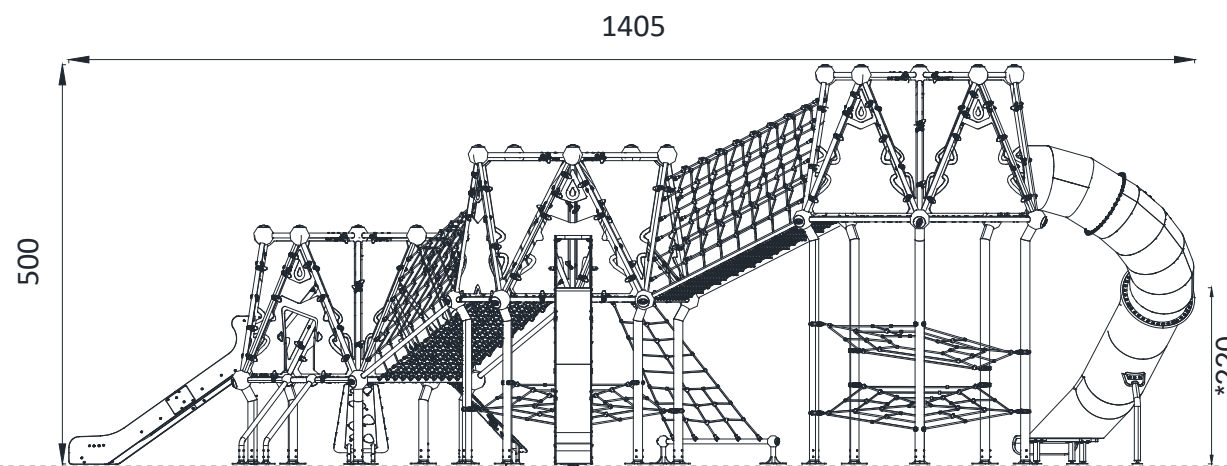


Jungle Series GGJS 1017

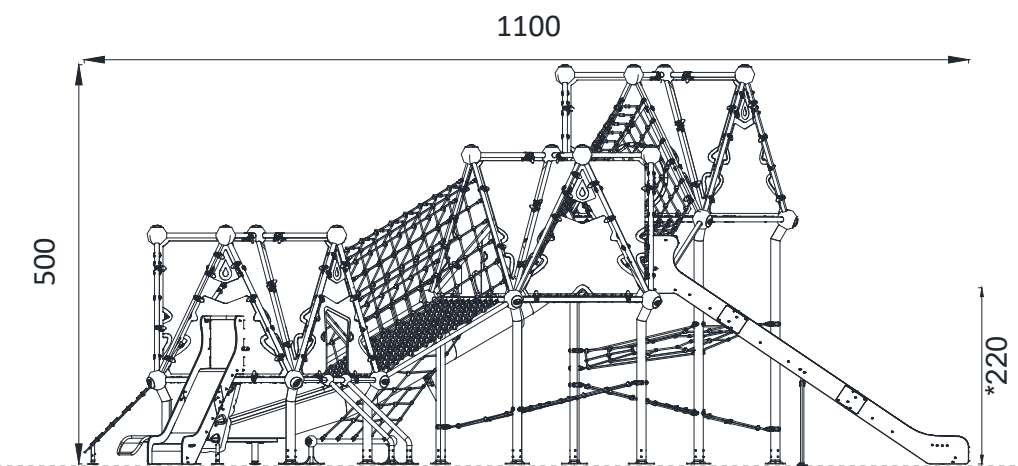


TOP VIEW

Technical Information	
Main Dimension (L x W x H)	14.05 x 11 x 5 m
Safety Area	149.6 m ²
Max FHOH	2.2 m
Capacity	64
Compliant to	NZS 5828:2015 EN 1176



FRONT VIEW



SIDE VIEW

*Maximum Fall Height. Dimensions shown are in cm