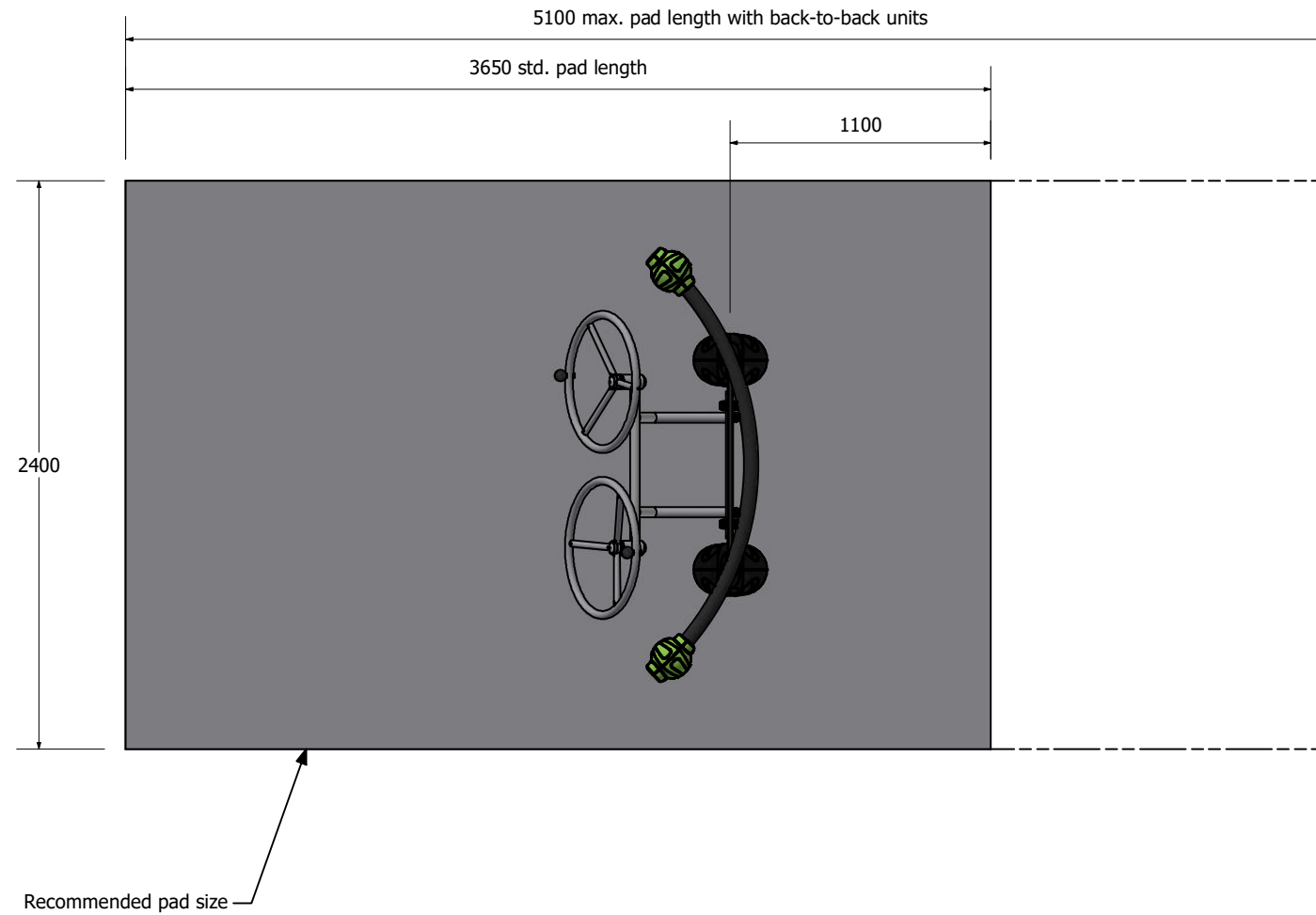


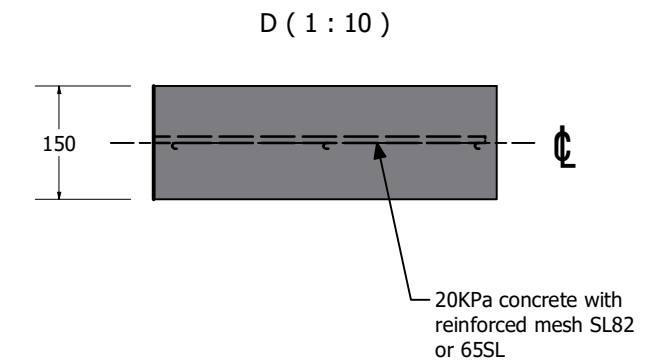
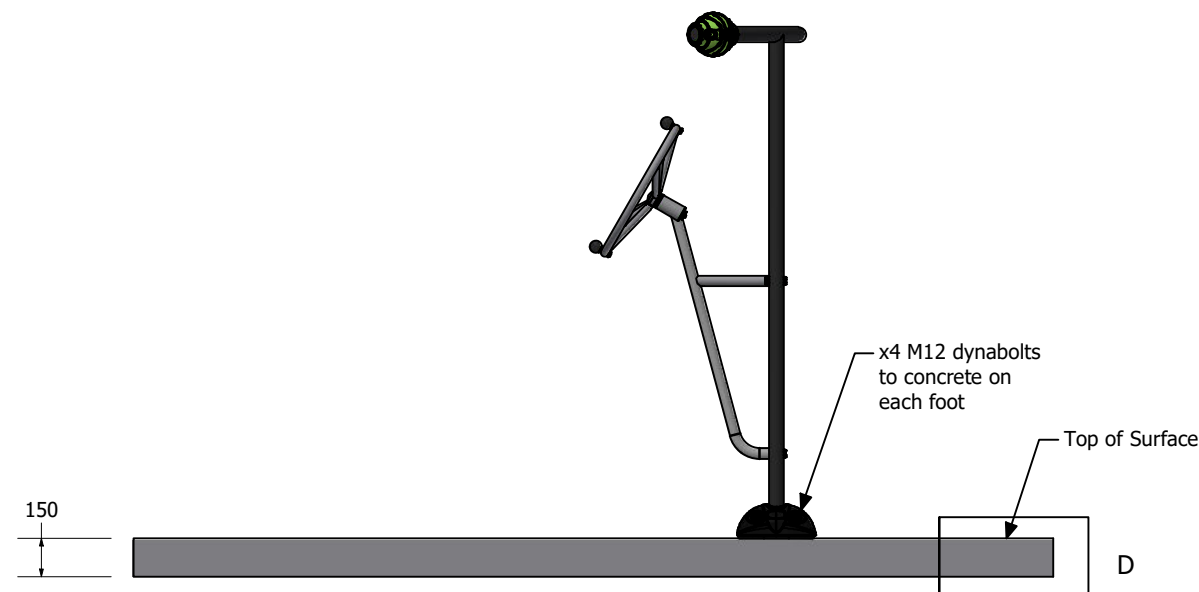
Flex Frame with Shoulder Wheels

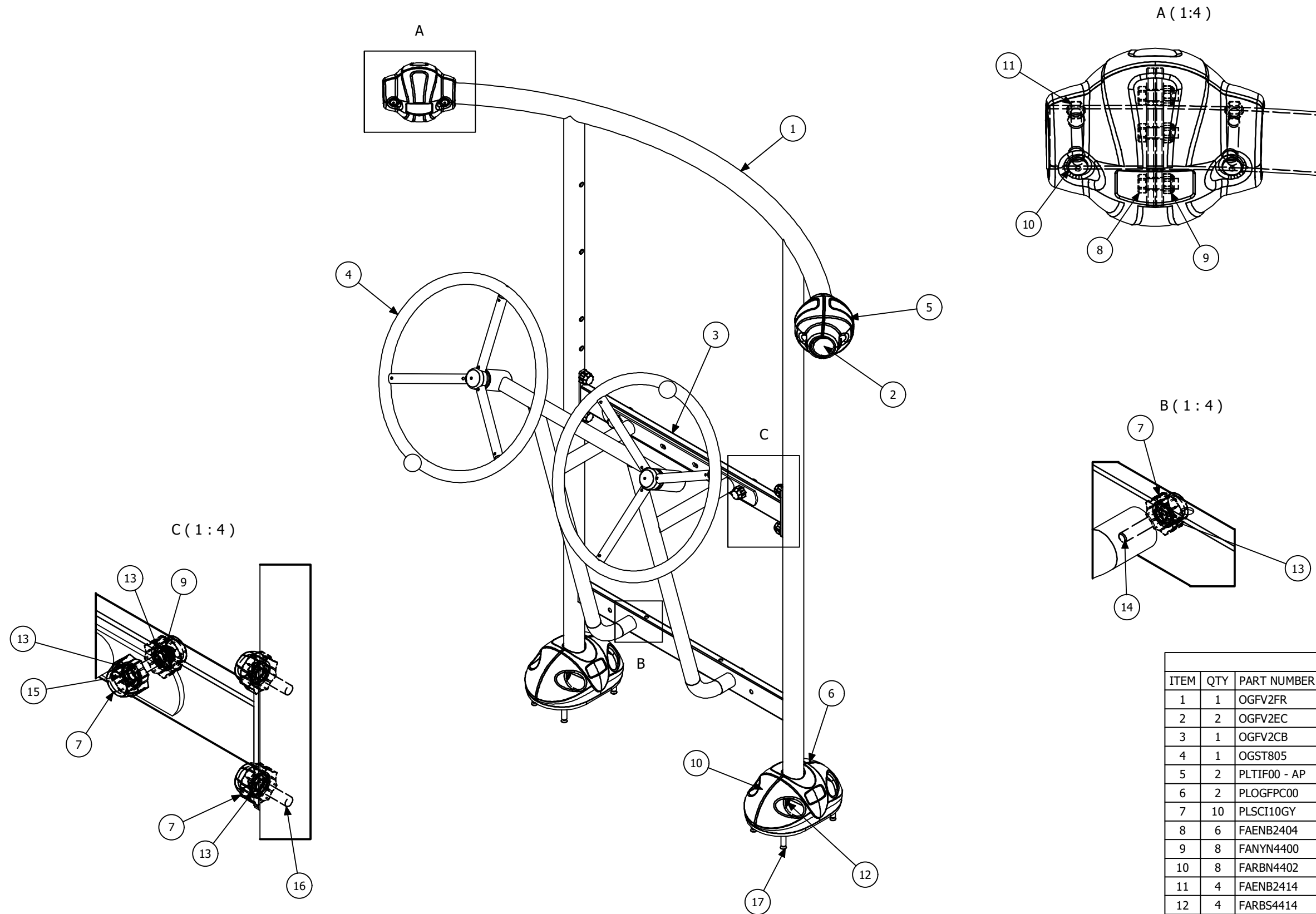
Add another Flex Station to make it a combo.

Max Health Fitness Station - Shoulder Wheel, OGCOSW



Note: slab shown in standard across fitness station range. Size may be altered depending on equipment configuration.





PARTS LIST			
ITEM	QTY	PART NUMBER	DESCRIPTION
1	1	OGFV2FR	Duo Station Flex Frame
2	2	OGFV2EC	Fitness Frame End Cover Ø132 x 103mm
3	1	OGFV2CB	Cross Bar 820 x 170 x 25mm
4	1	OGST805	Station 805 Shoulder Wheels
5	2	PLTIF00 - AP	Titan Flange Cover - Apple
6	2	PLOGFPC00	OGE Foot Plastic Covers - Black (Pair)
7	10	PLSCI10GY	Security Cover & Insert - 10mm
8	6	FAENB2404	M10 x 30mm Galv Set Screw
9	8	FANYN4400	M10 S/S 304 Nyloc Nut
10	8	FARBN4402	M10 x 20 S/S 304 (T45) Prolok Resytork Button Barrel Nut
11	4	FAENB2414	M10 x 80mm Galv Engineering Bolt
12	4	FARBS4414	M10 x 80 S/S 304 (T45) Prolok Resytork Button Machine Screw
13	14	FAFLW4402	M10 x 21 x 1.2 S/S Flat Washer
14	2	FAENB4409	M10 x 55mm S/S 304 Eng Bolt
15	2	FAENB2409	M10 x 55mm Galv Engineering Bolt
16	4	FAENB2406	M10 x 40mm Galv Set Screw
17	8	FASAD2513	M12 x 75 Galv Sleeve Anchor (Dynabolt)