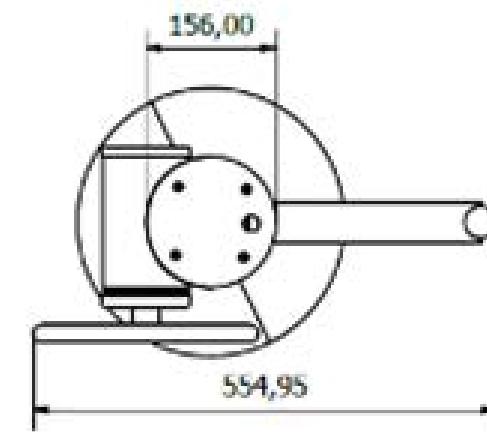
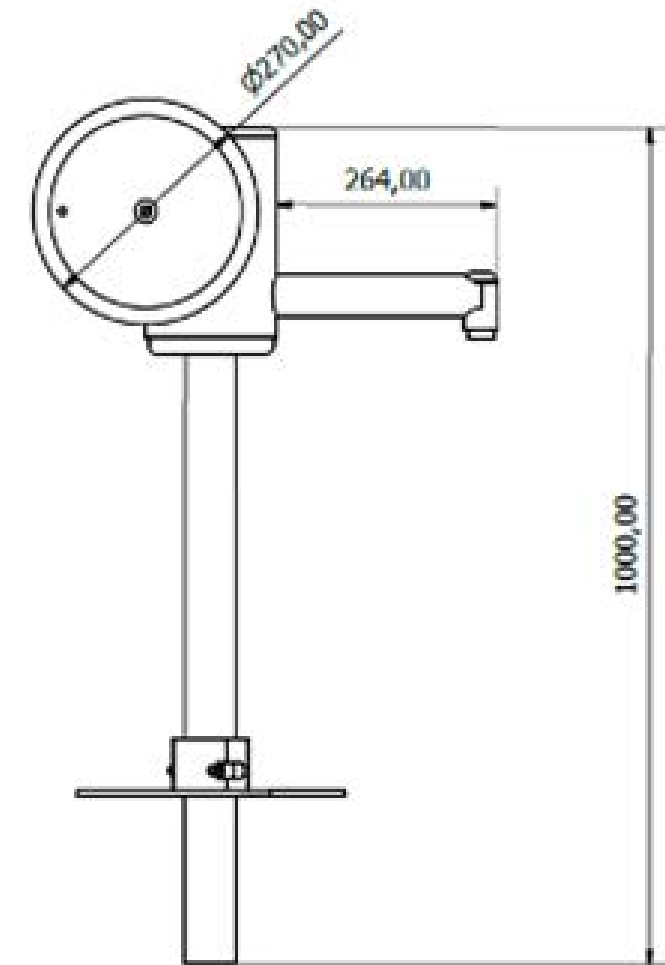


SAPUSS



Technical Information	
Main Dimension	1000 mm (h) x approx. 550mm (w)
Total Area	
Max FHO	
Heaviest Part	
Compliant to	NZS 5828:2015 AS 4685:(series) EN 1176:2008