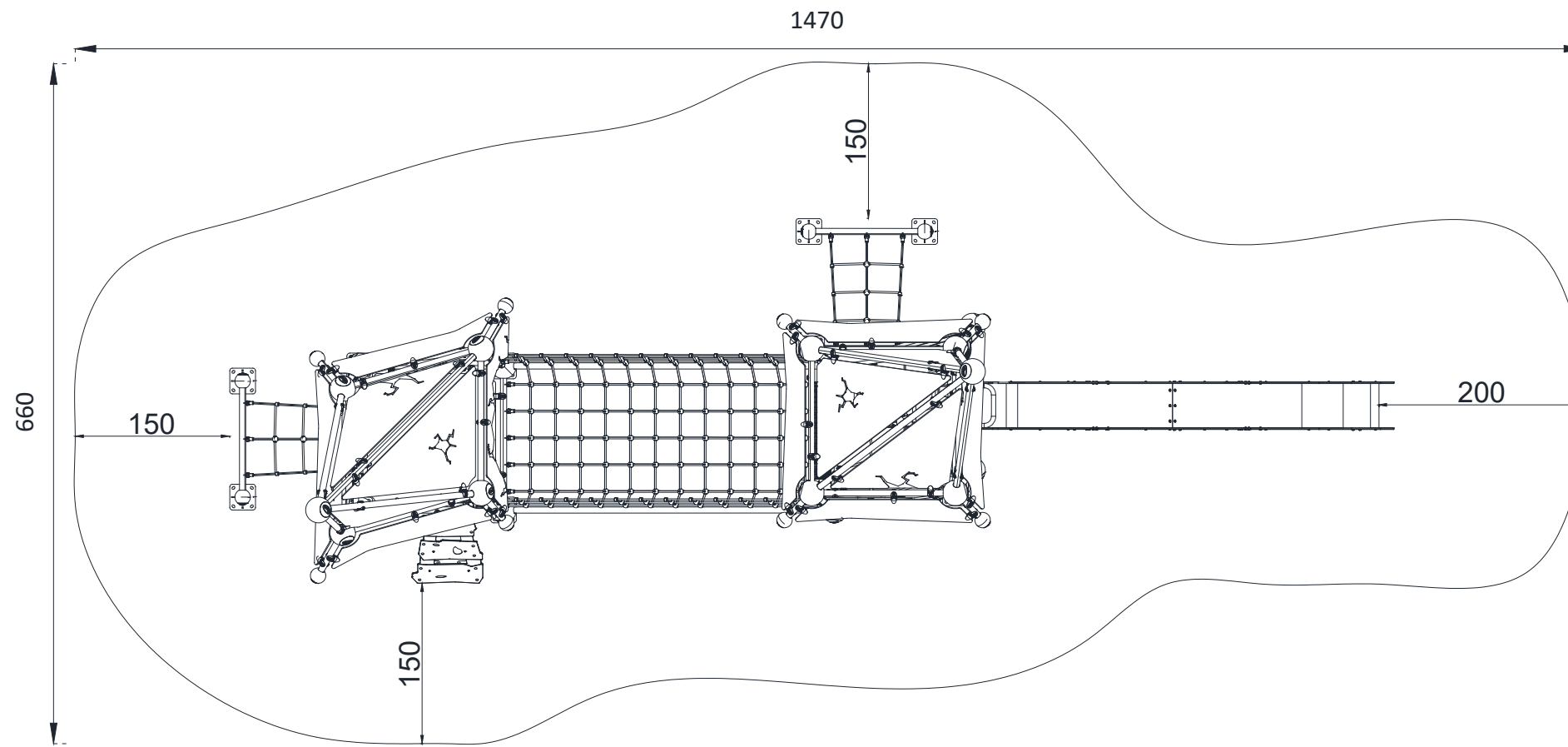


# Witch Series GGWS 1001- P

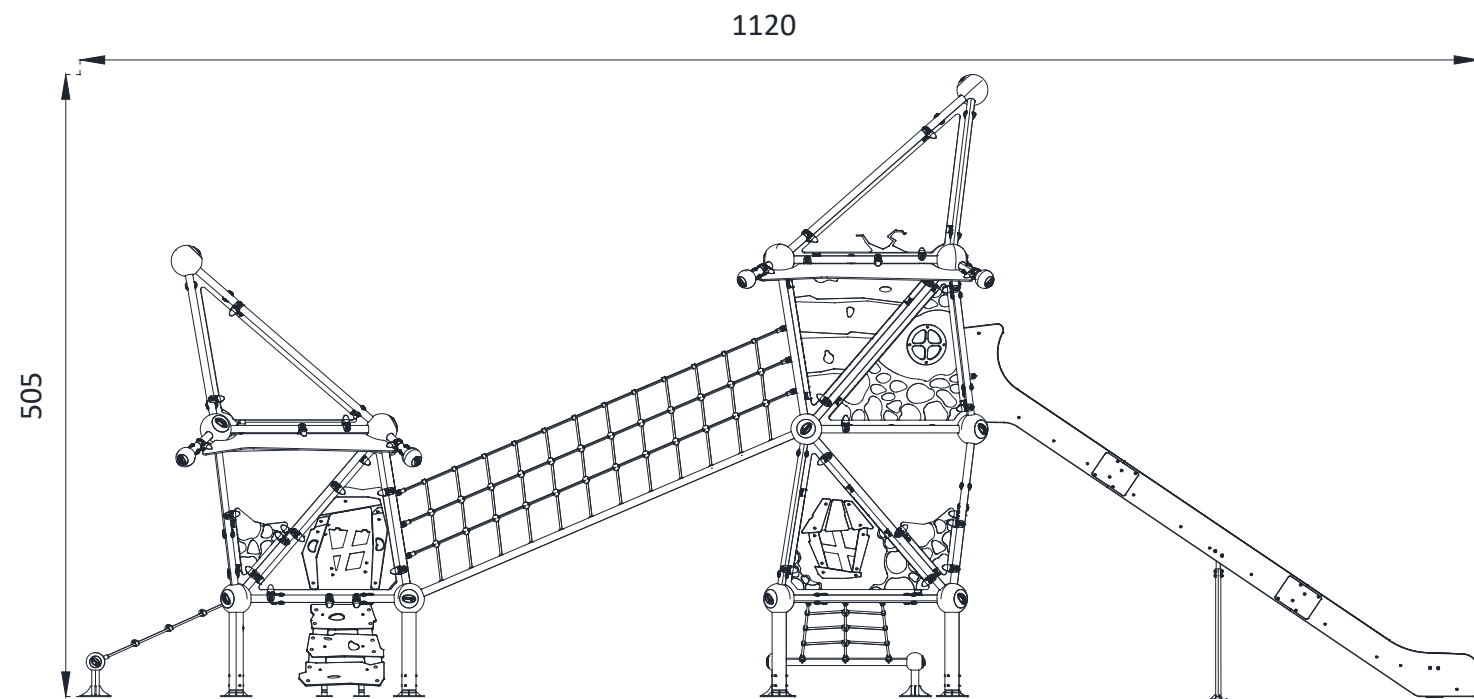


# Witch Series GGWS 1001- P

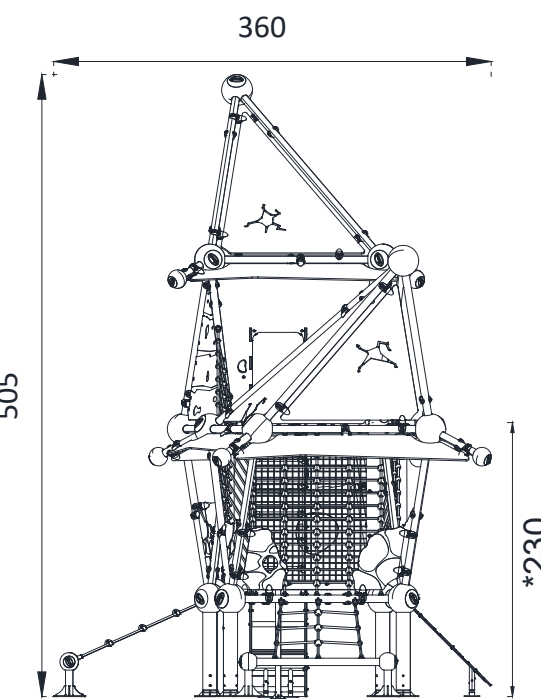


TOP VIEW

Technical Information	
Main Dimension (L x W x H)	11.2 x 3.6 x 5.05m
Safety Area	69m <sup>2</sup>
Max FHOH	2.3m
Capacity	25
Compliant to	NZS 5828:2015 EN 1176



FRONT VIEW



SIDE VIEW

\*Maximum Fall Height. Dimensions shown are in cm