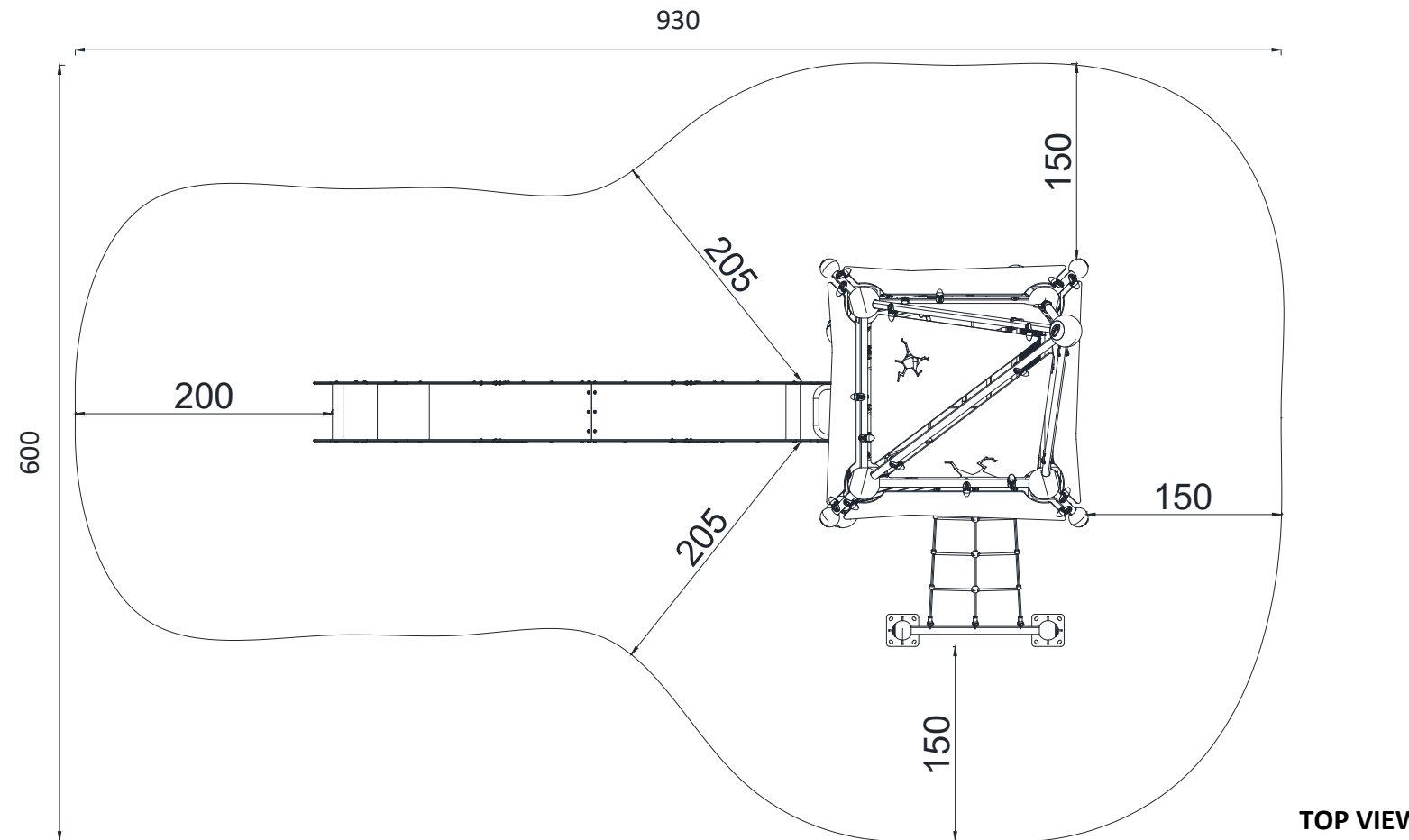


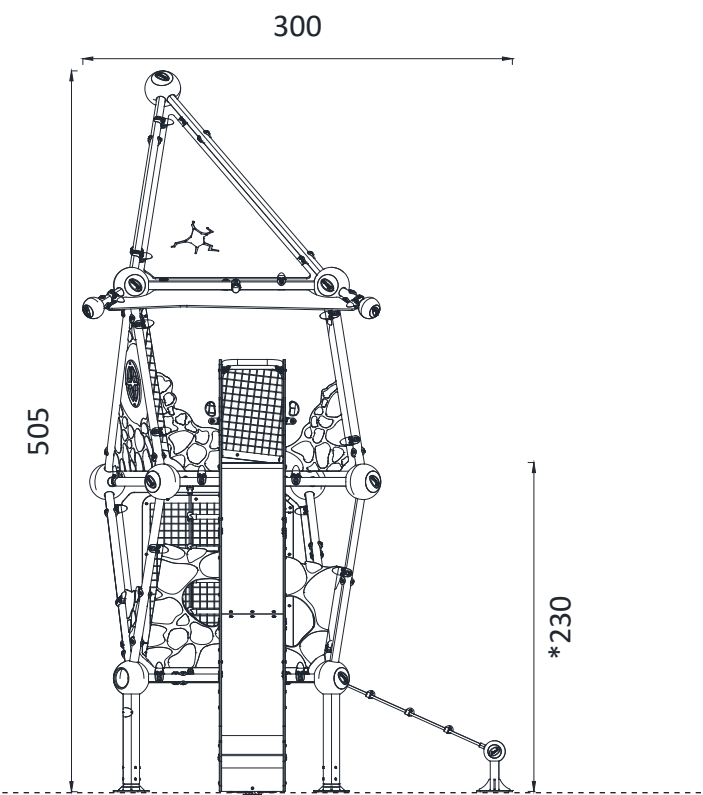
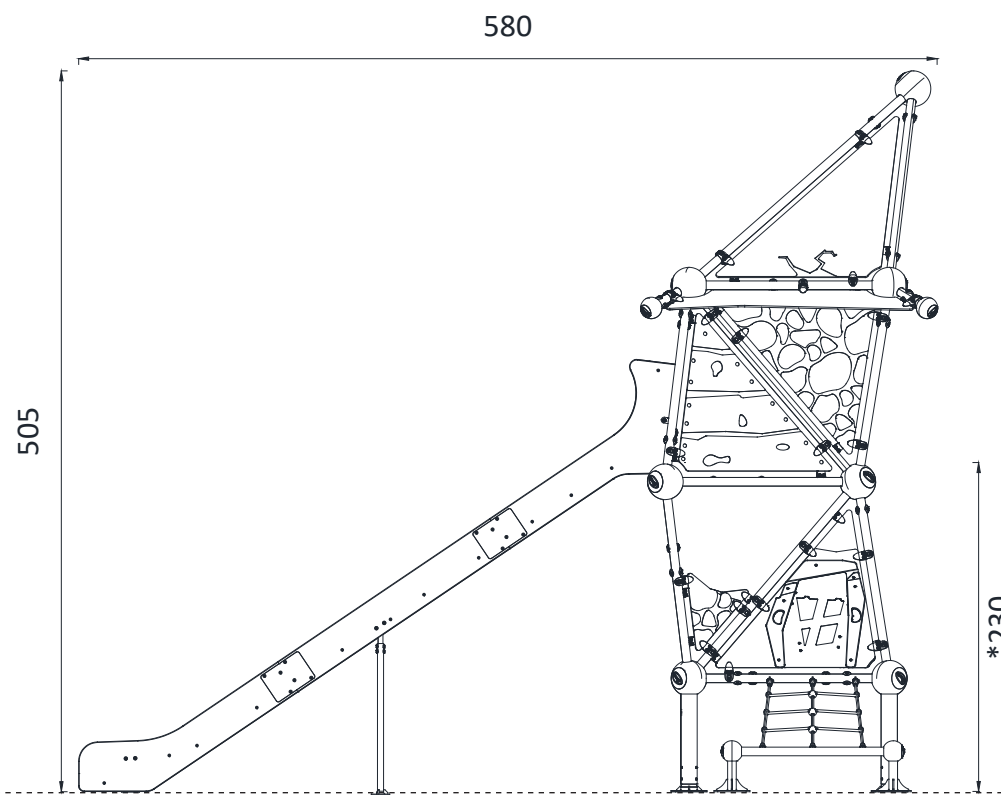
Witch Series GGWS 1003- P



Witch Series GGWS 1003- P



Technical Information	
Main Dimension (L x W x H)	5.8 x 3 x 5.05m
Safety Area	41.6 m ²
Max FHOH	2.3m
Capacity	13
Compliant to	NZS 5828:2015 EN 1176



FRONT VIEW

SIDE VIEW

*Maximum Fall Height. Dimensions shown are in cm