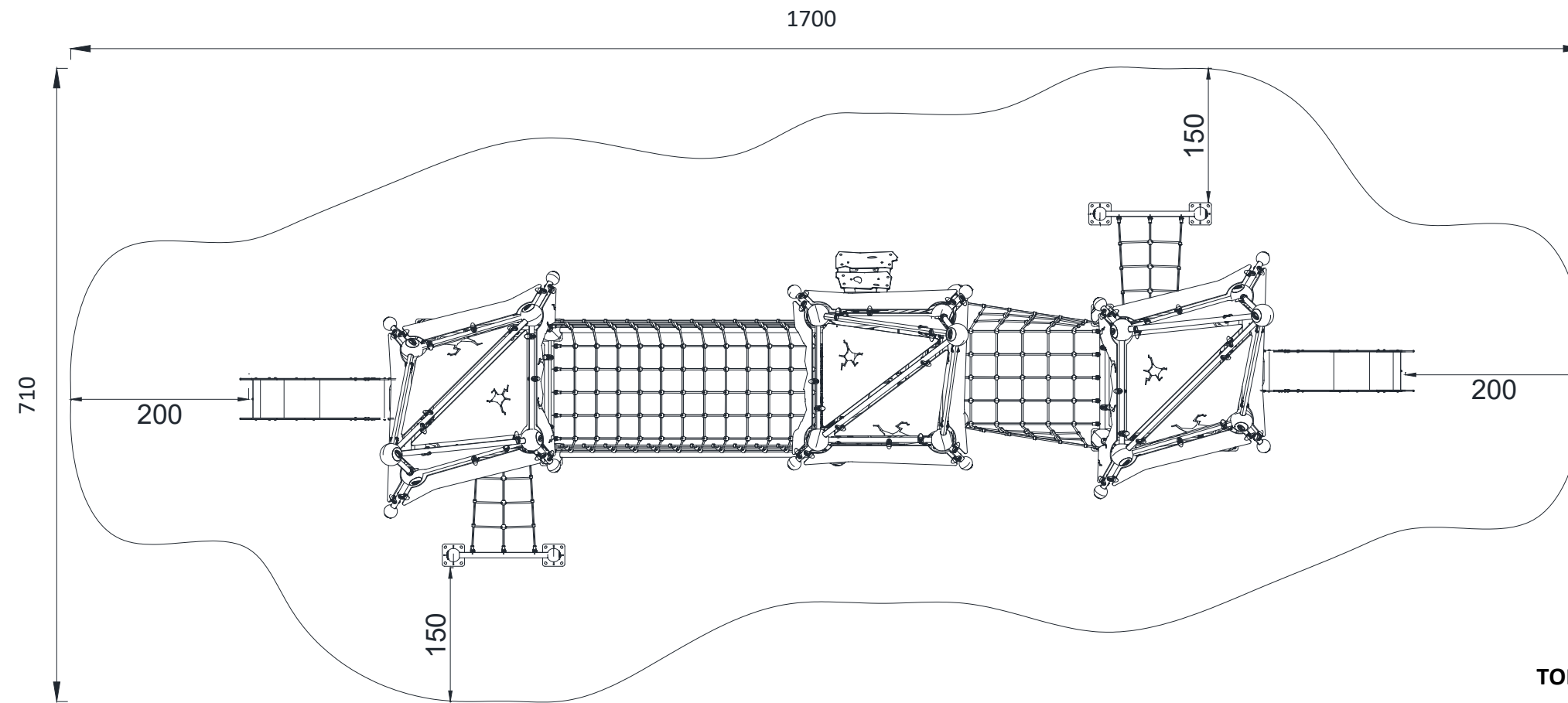


Witch Series GGWS 1006- P

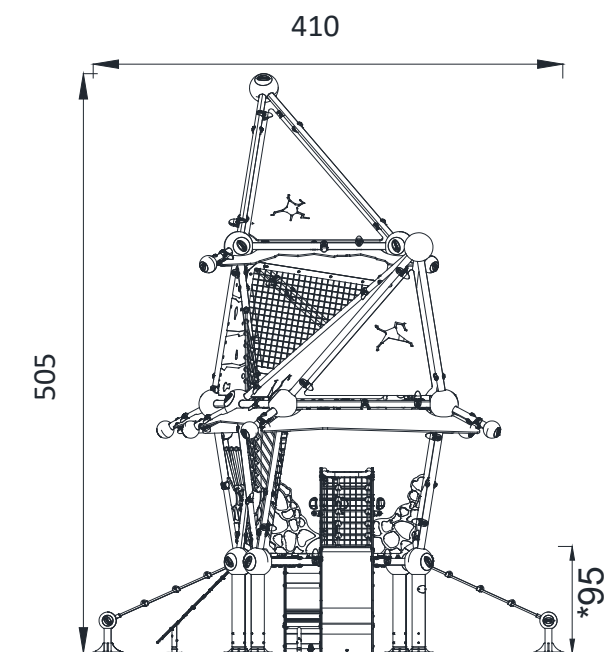
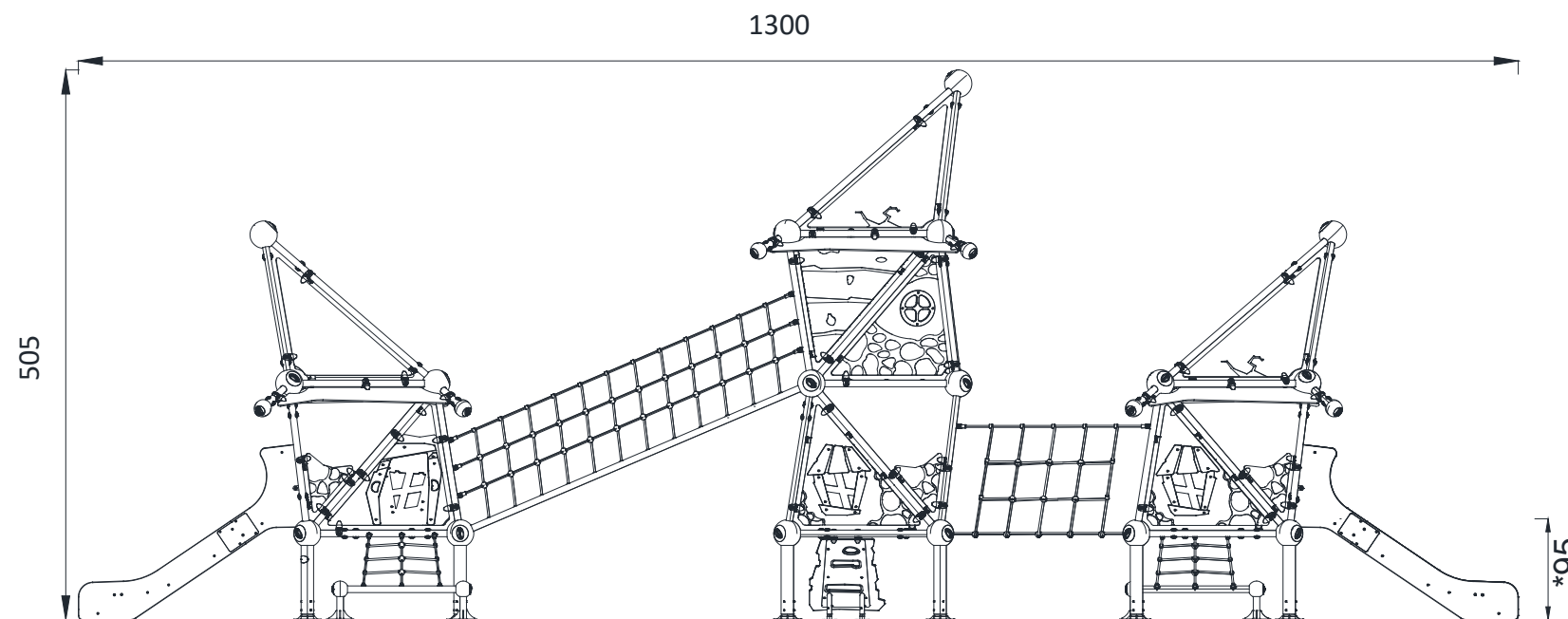


Witch Series GGWS 1006- P



Technical Information	
Main Dimension (L x W x H)	13 x 4.1 x 5.05m
Safety Area	84.7 m ²
Max FHOF	0.95 m
Capacity	37
Compliant to	NZS 5828:2015 EN 1176

TOP VIEW



FRONT VIEW

SIDE VIEW

*Maximum Fall Height. Dimensions shown are in cm