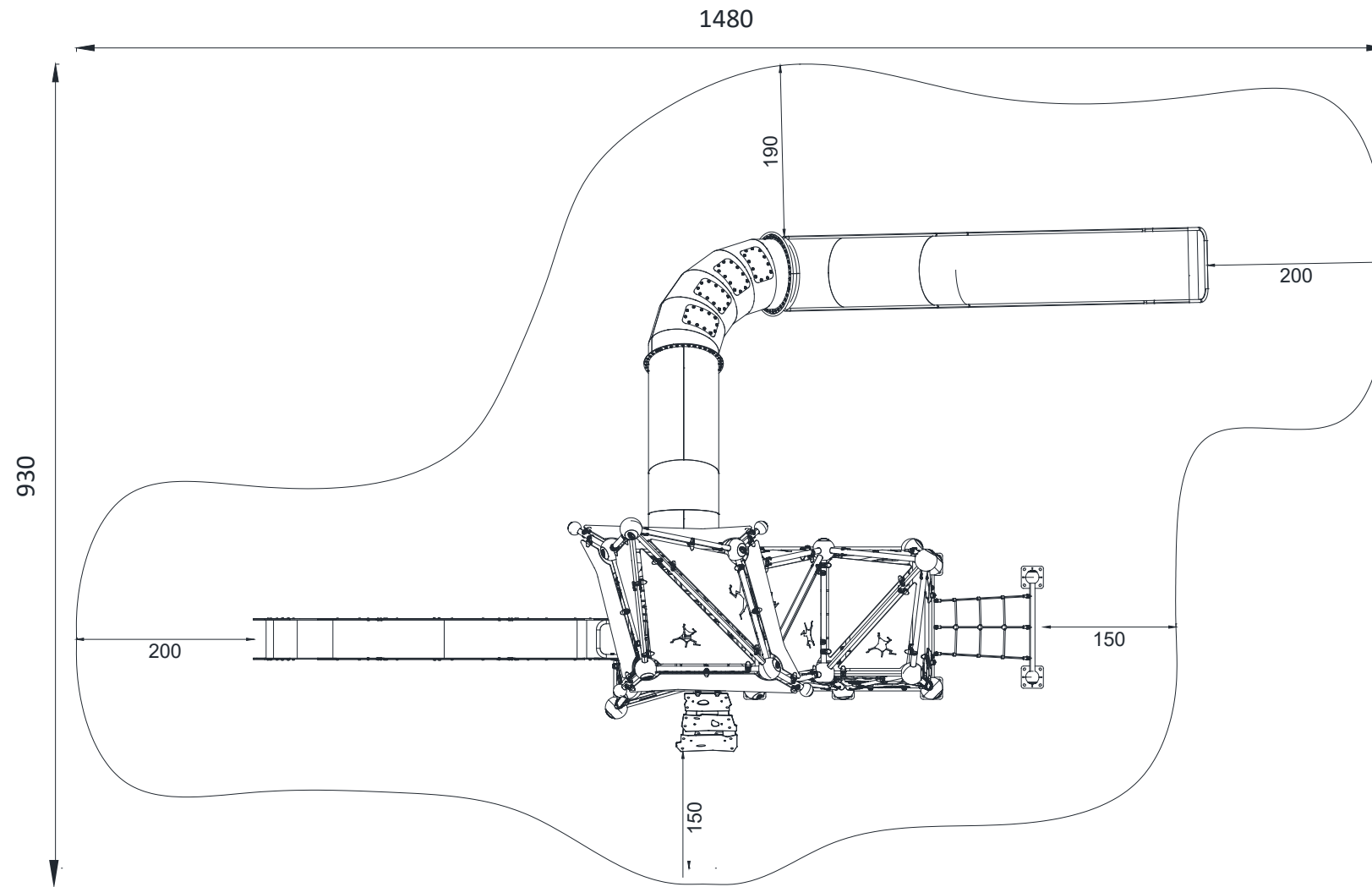


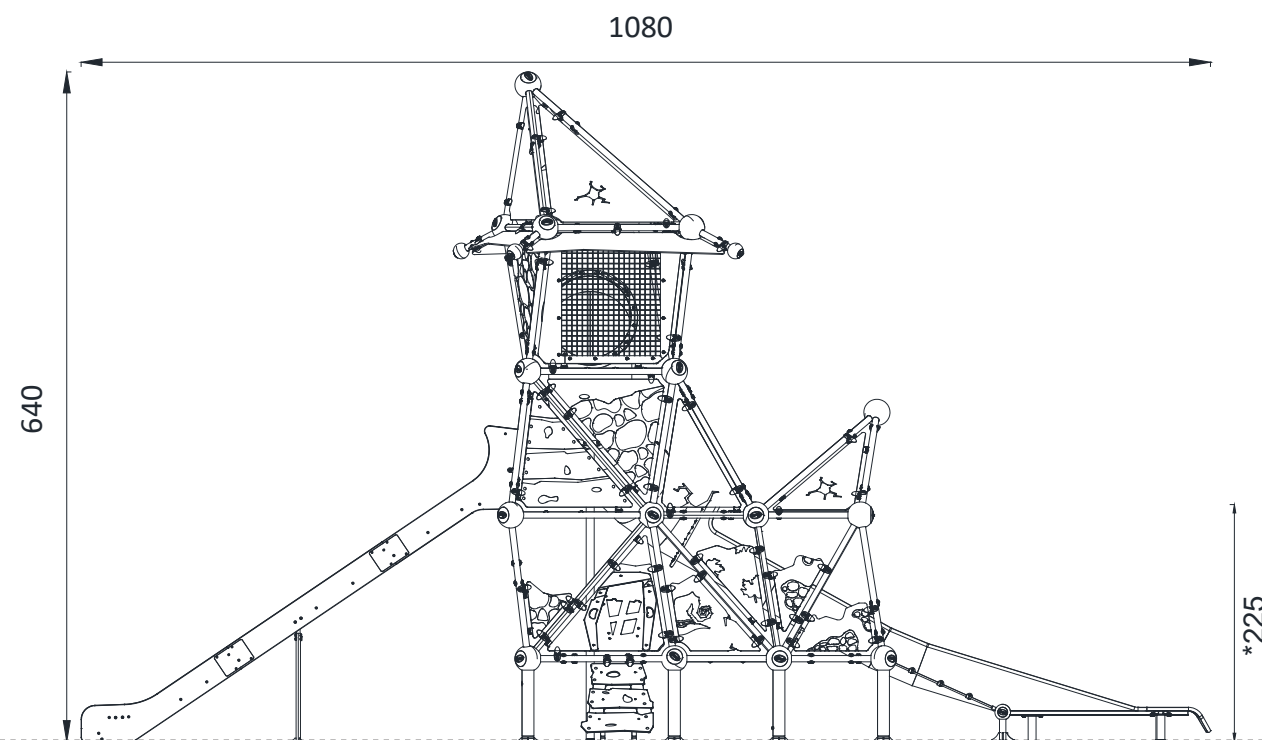
# Witch Series GGWS 1007



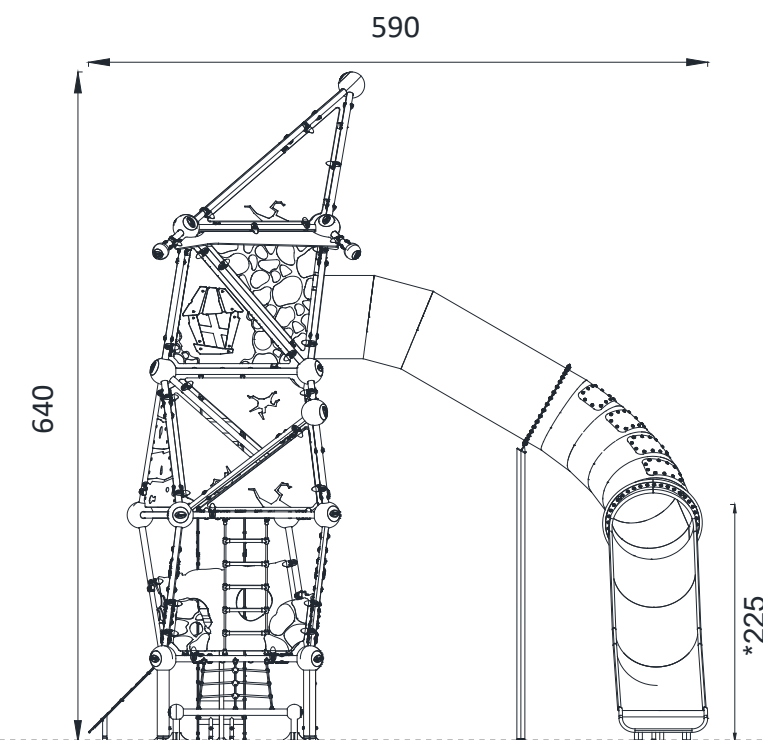
# Witch Series GGWS 1007



TOP VIEW



FRONT VIEW



SIDE VIEW

Technical Information	
Main Dimension (L x W x H)	10.8 x 5.9 x 6.4m
Safety Area	87.1 m <sup>2</sup>
Max FHOH	2.25 m
Capacity	27
Compliant to	NZS 5828:2015 EN 1176

\*Maximum Fall Height. Dimensions shown are in cm