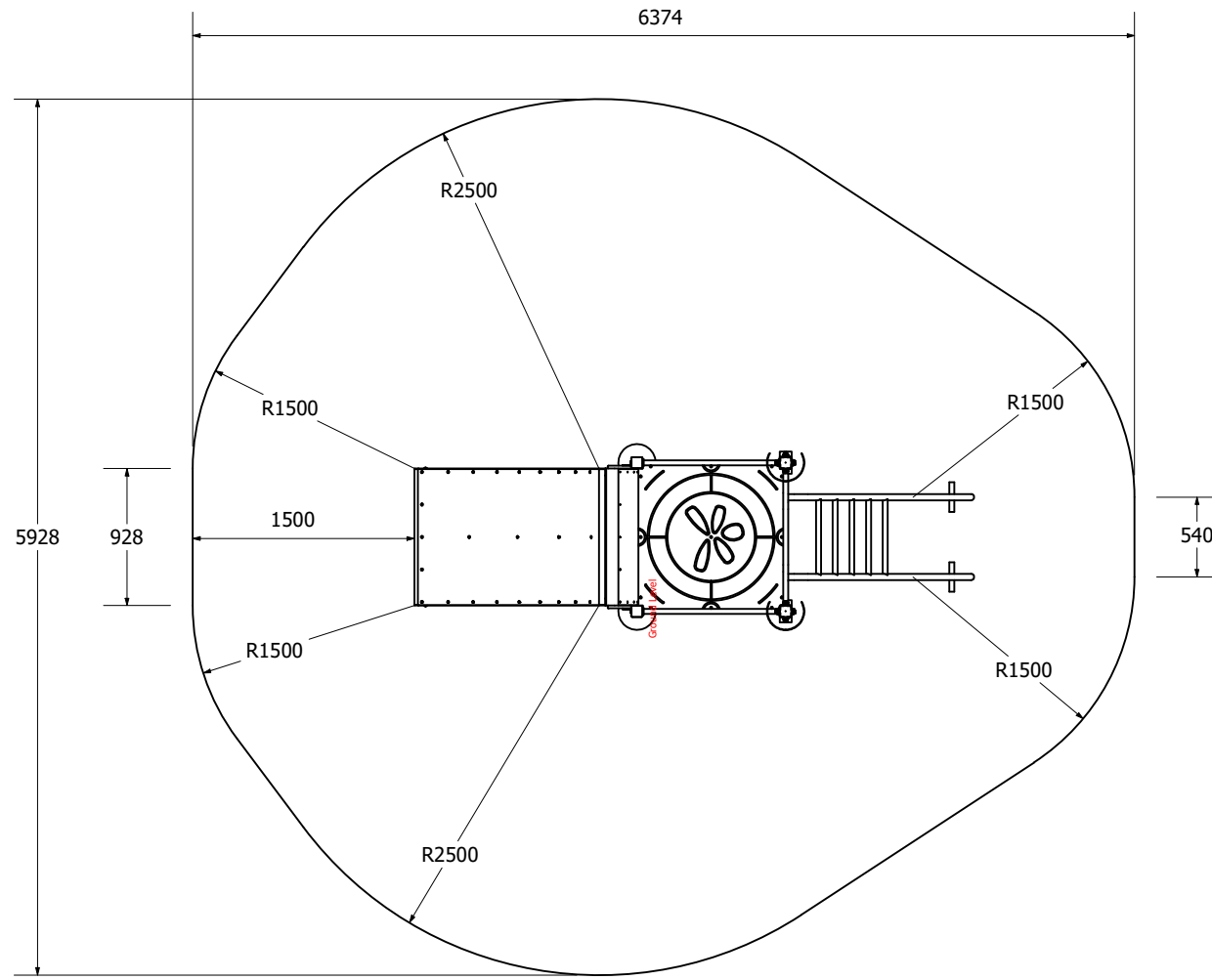


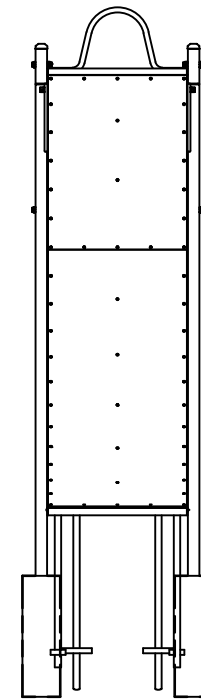
Ninja Wall 3.0m Metaplay



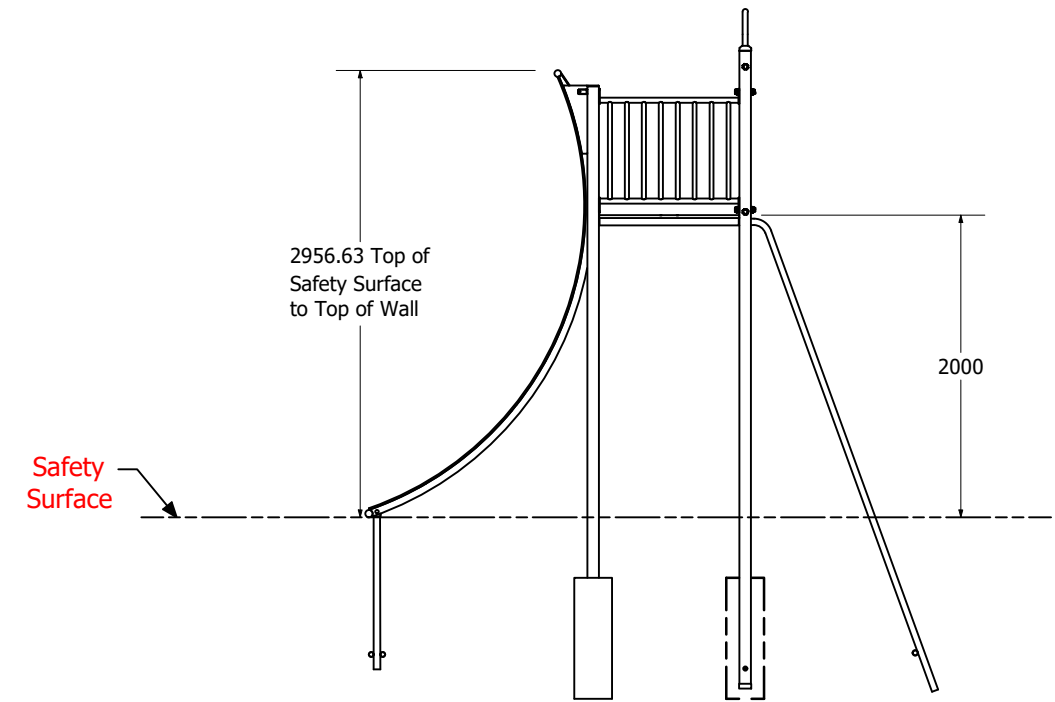
Fallzones



Front Elevation



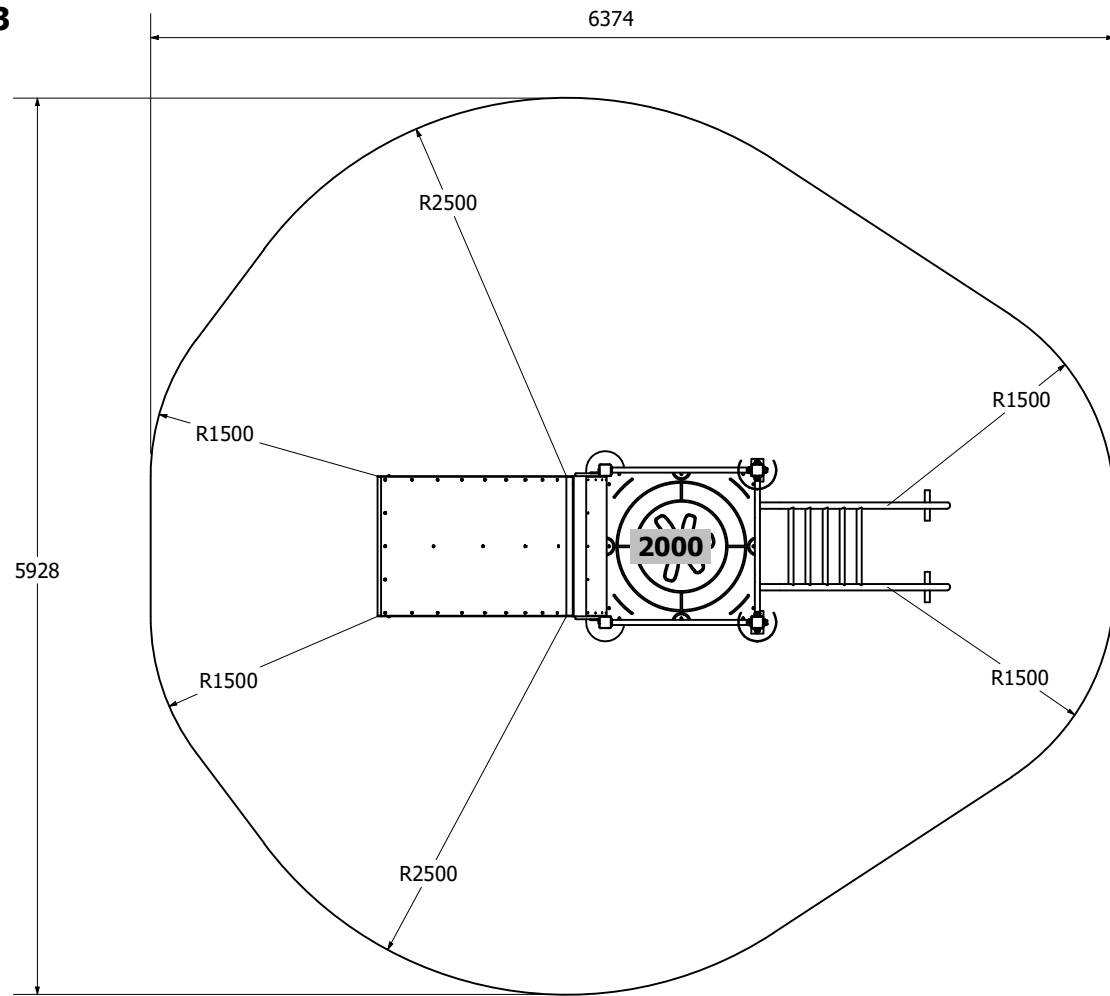
Right Elevation



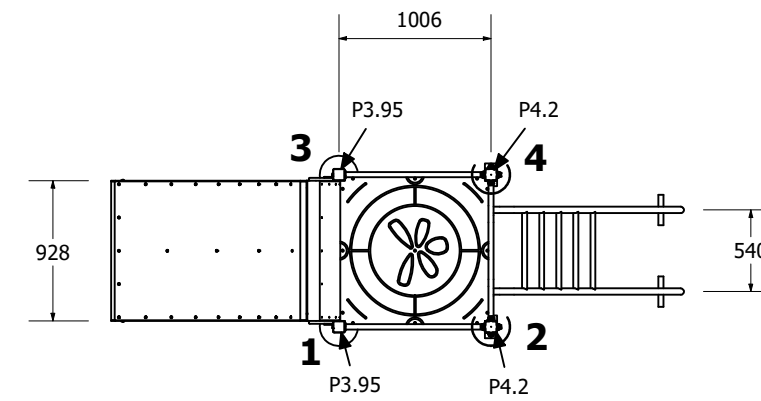
Technical Information	
Main Dimension	6.283 x 5.928m
Total Area	30 sqm
Max FHO	2950mm
Heaviest Part	
Compliant to	NZS 5828:2015 AS 4685:(series) EN 1176:2008

Fallzones

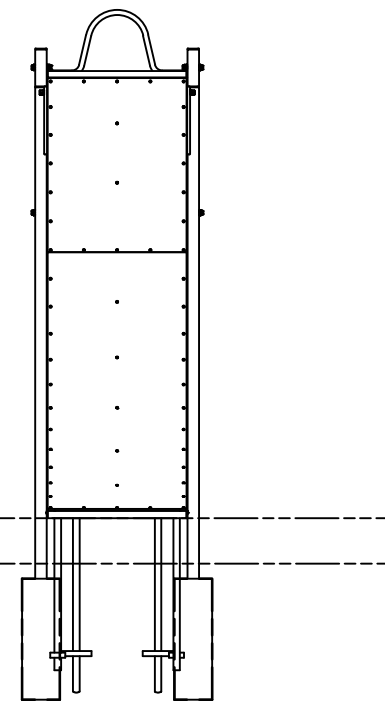
1:50
@ A3



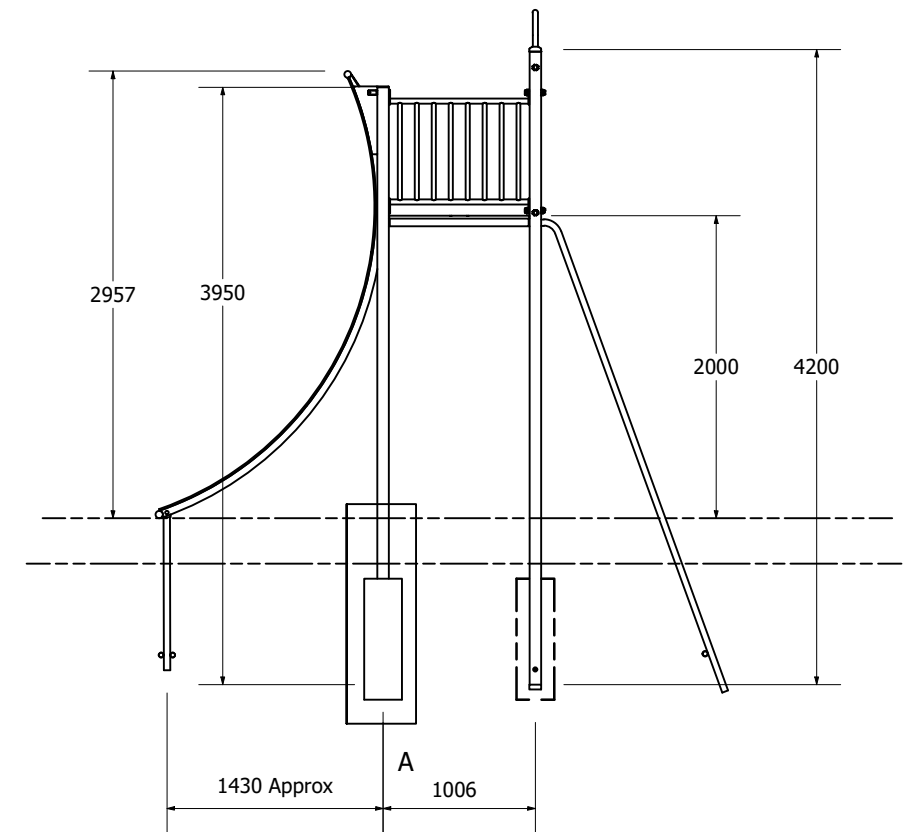
Pole Dimensions



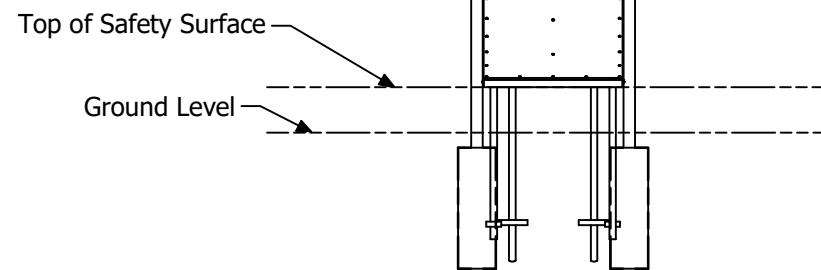
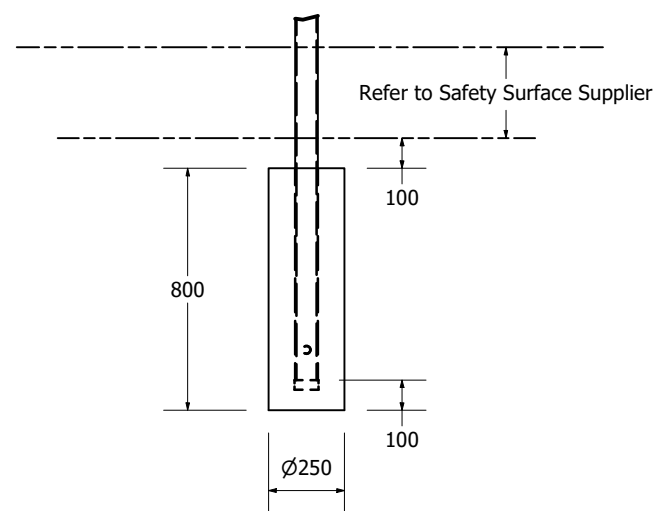
Front Elevation



Right Elevation



A (1 : 25)



REVISION HISTORY			
REV	DESCRIPTION	DATE	BY
0	Creation	19/10/2021	HS