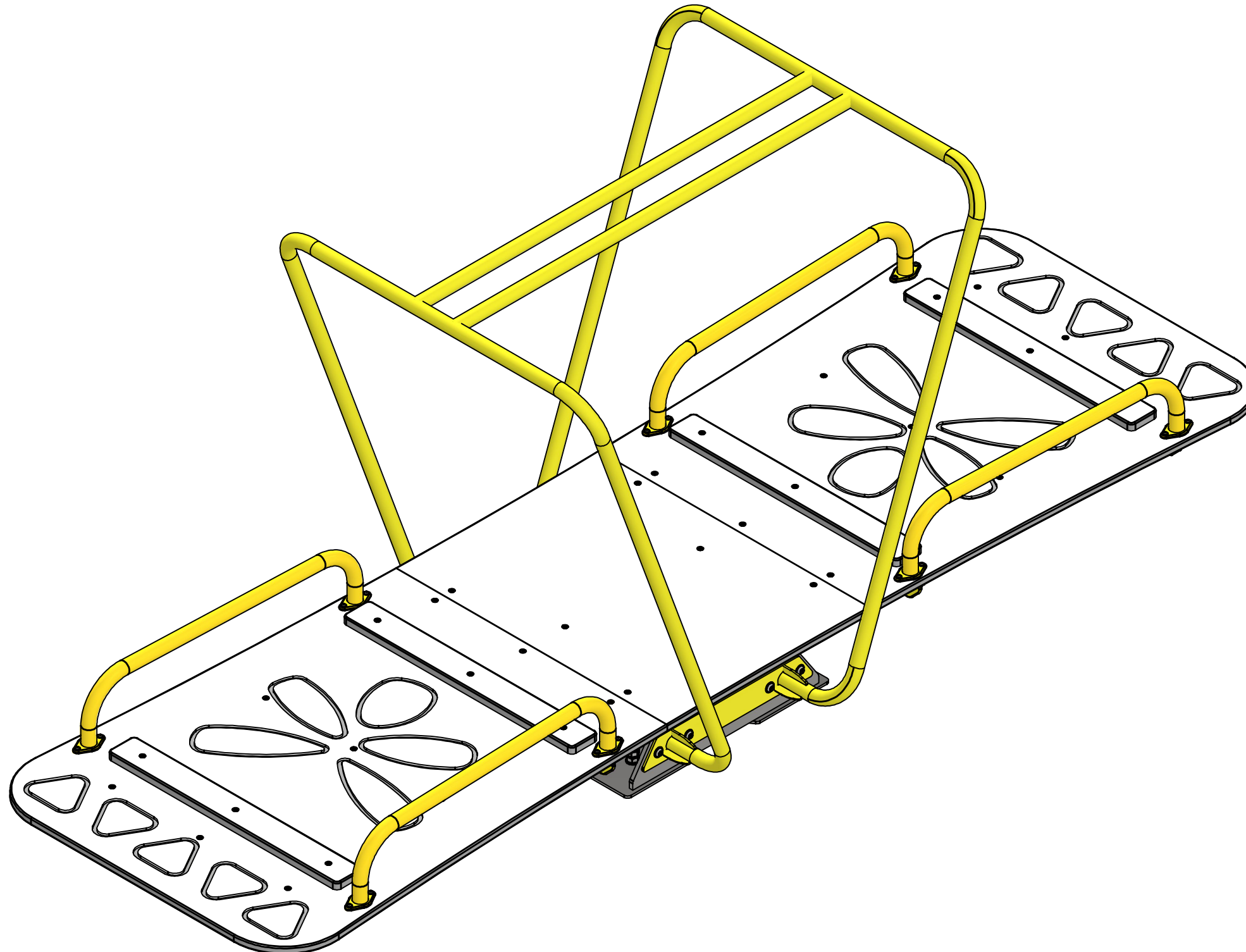
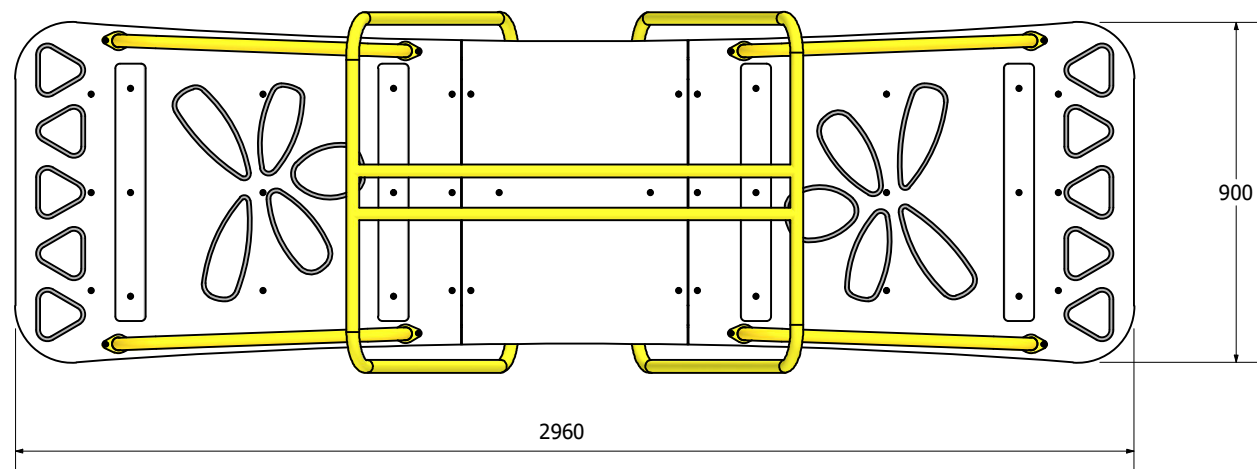
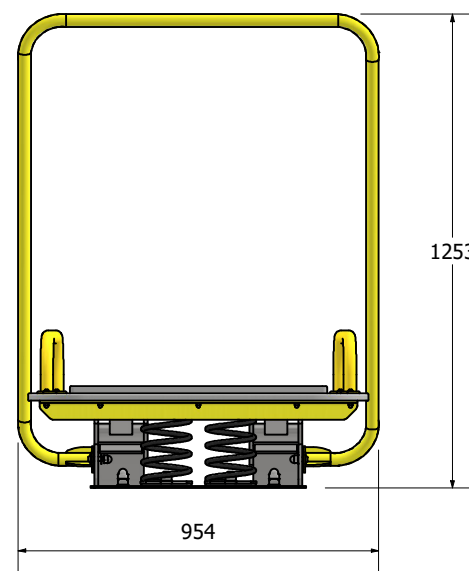
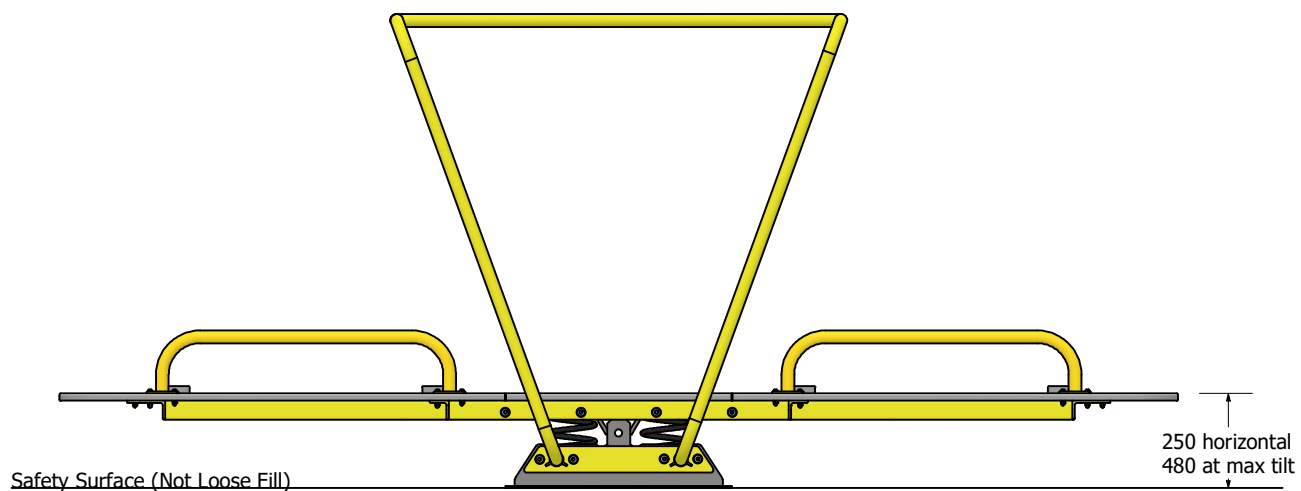
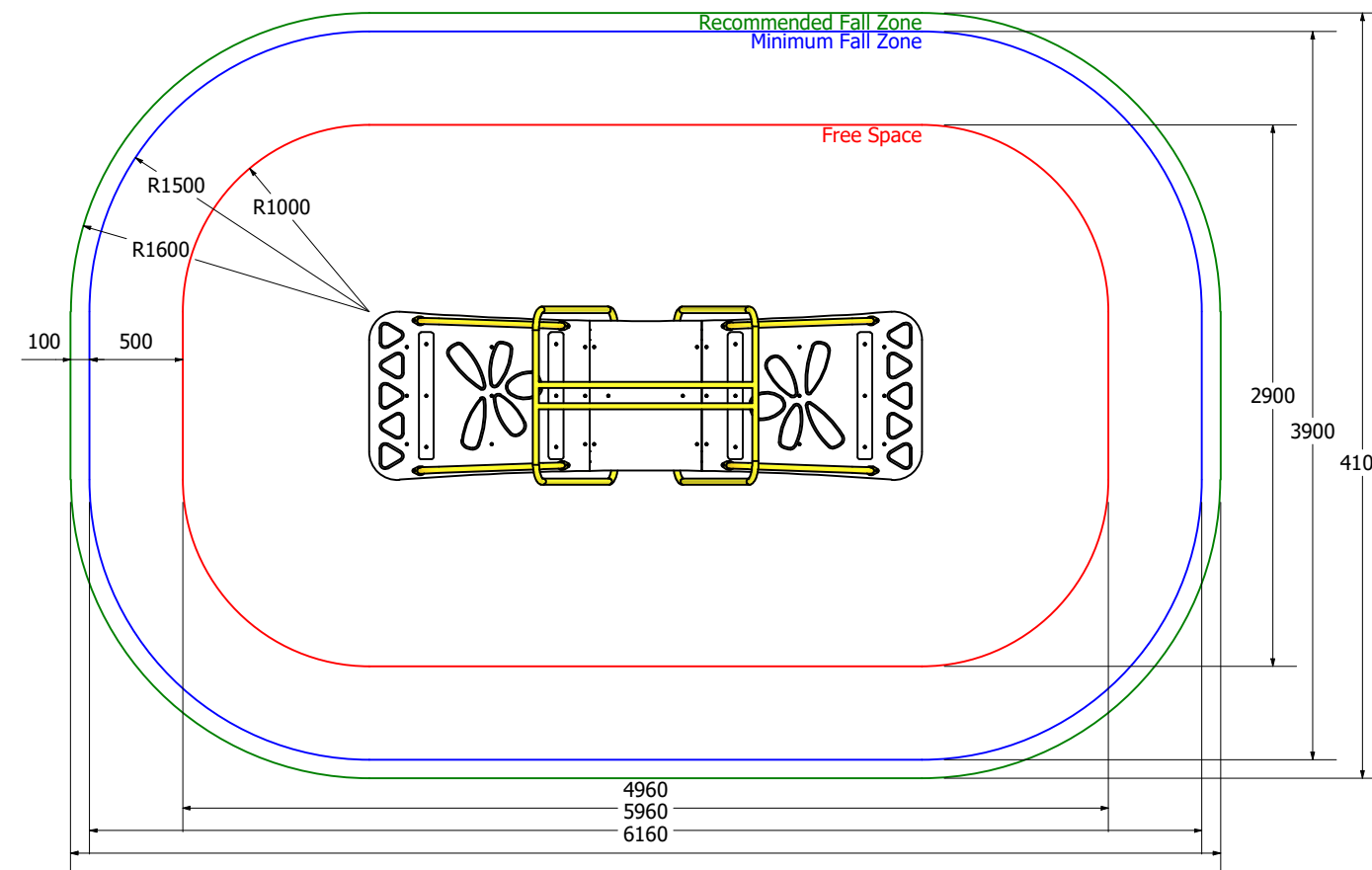


SMSSWCRO - Inclusive Seesaw





Fall Zones (1 :40)



Technical Information	
Main Dimension	6.16 x 4.1m
Total Area	23.1m2 @ Recommended Fallzone
Max FHOF	1m
Heaviest Part	
Compliant to	NZS 5828:2015 AS 4685 series EN 1176 series