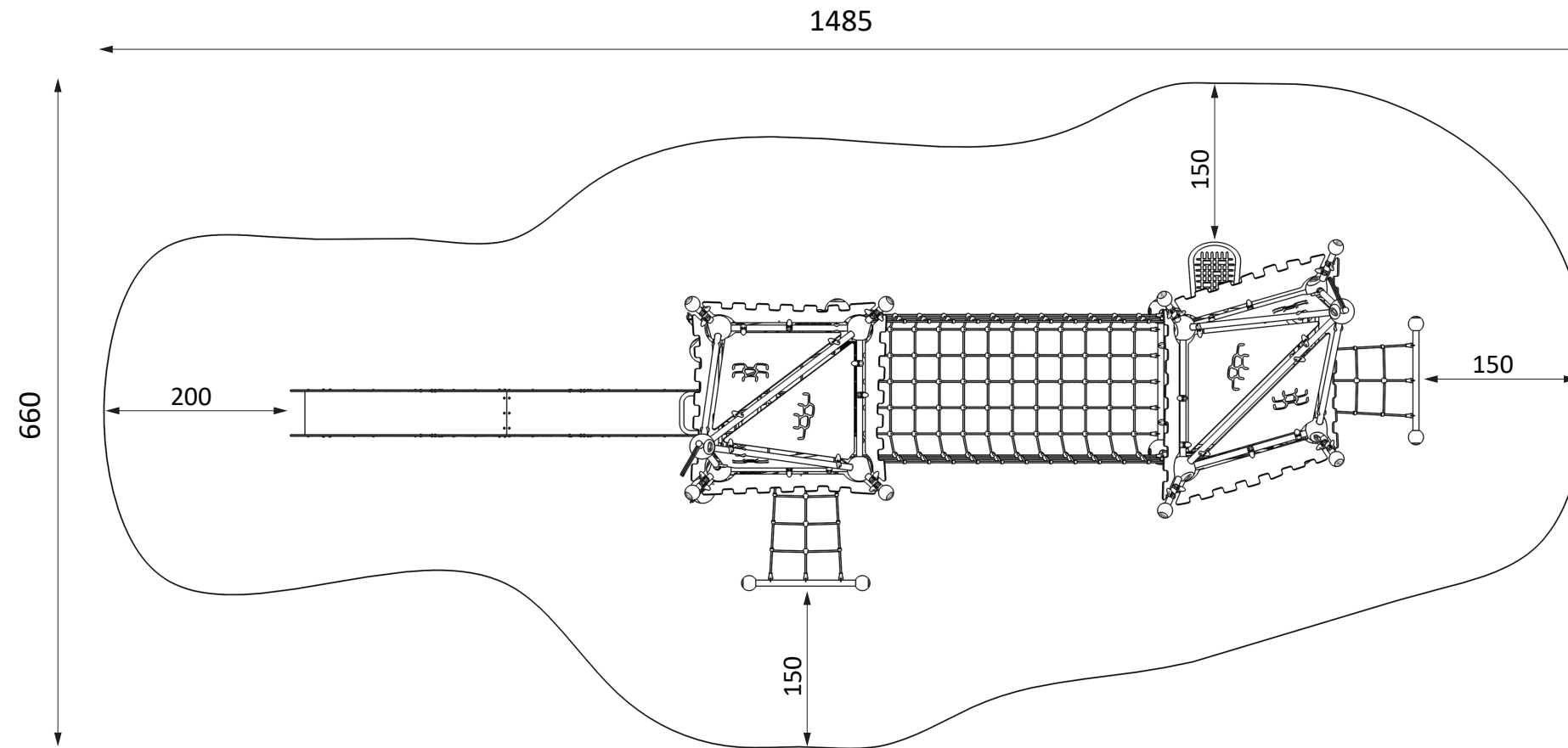


# Castello Series- GGCS 1001- P

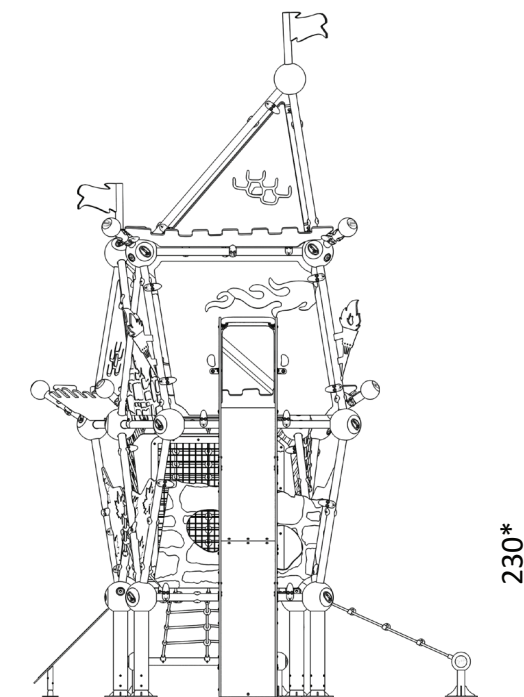
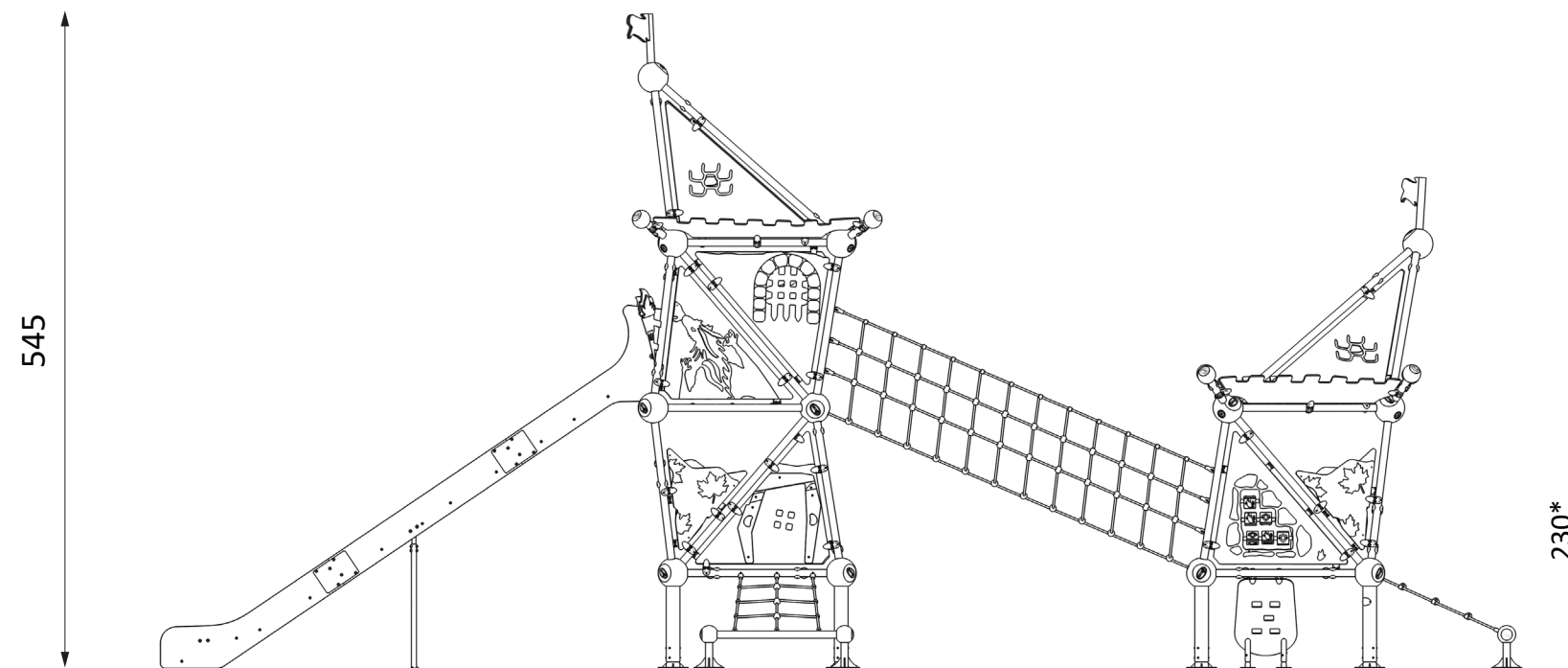
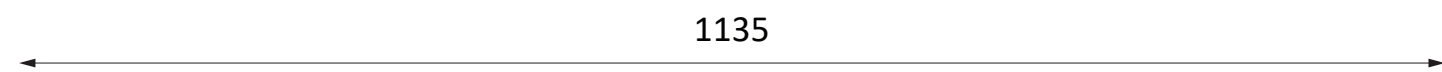


# Castello Series- GGCS 1001- P



TOP VIEW

Technical Information	
Main Dimension (L x W x H)	11.35 x 3.3 x 5.45 m
Safety Area	69 m <sup>2</sup>
Max FHOH	2.3 m
Capacity	25
Compliant to	NZS 5828:2015 EN 1176



FRONT VIEW

SIDE VIEW

\*Maximum Fall Height. Dimensions shown are in cm