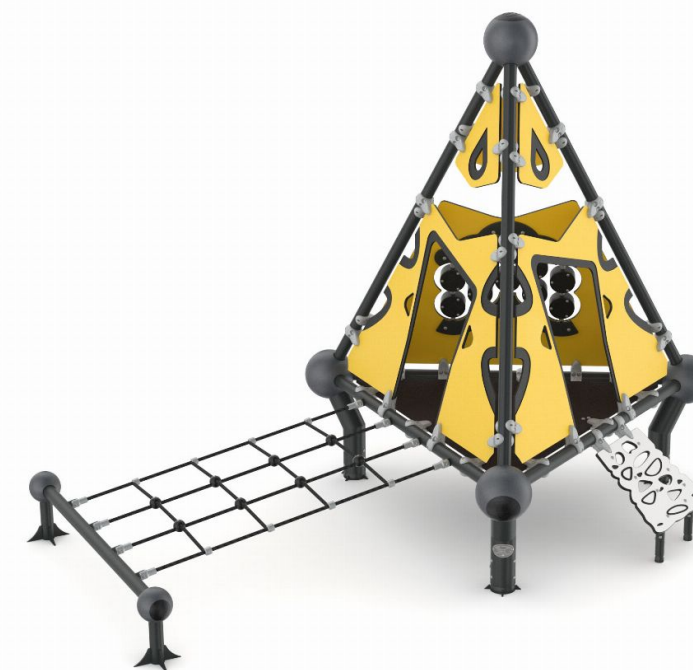
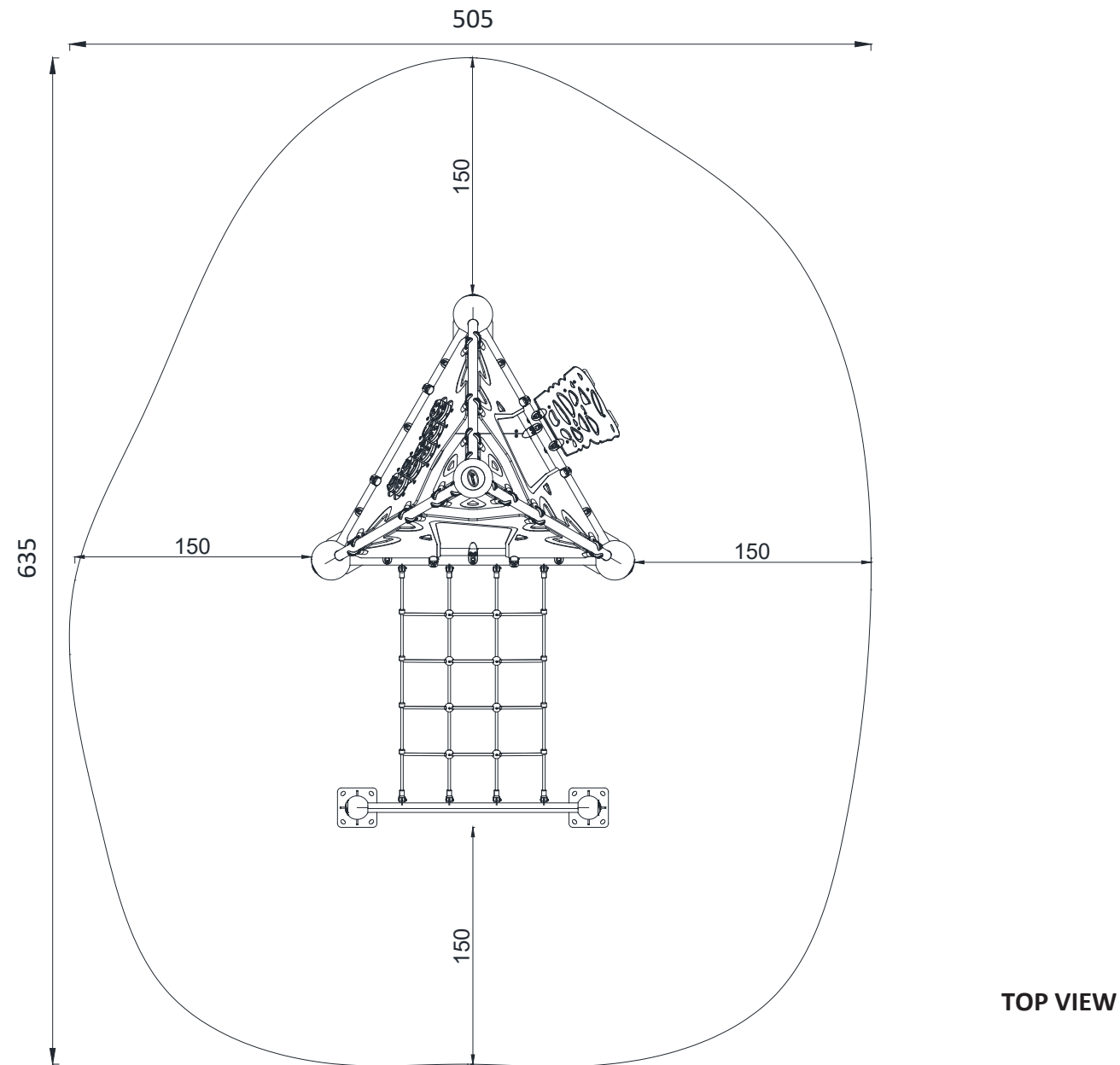


# Jungle Series GGJS 1021

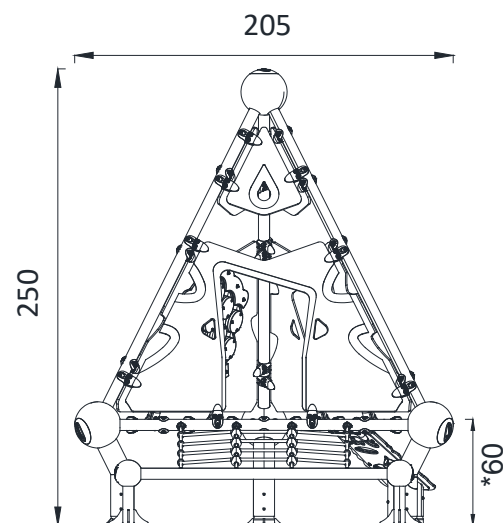


# Jungle Series GGJS 1021

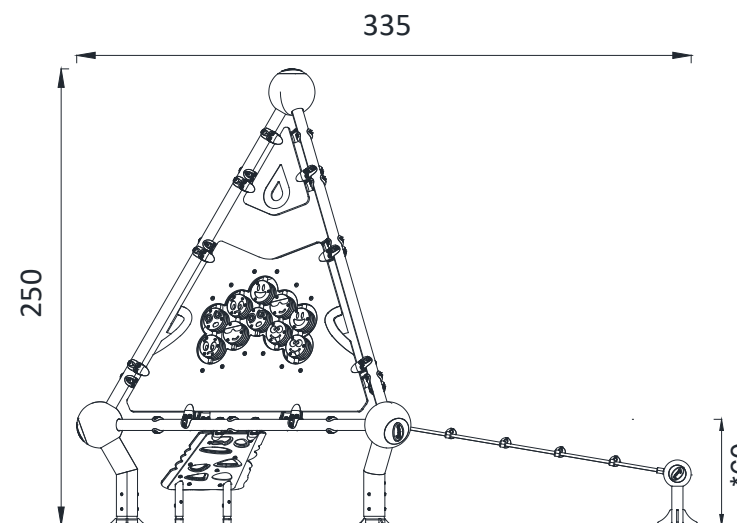
Technical Information	
Main Dimension (L x W x H)	2.05 x 3.35 x 2.5m
Safety Area	26.1 m <sup>2</sup>
Max FHOH	0.6 m
Capacity	5
Compliant to	NZS 5828:2015
	EN 1176



TOP VIEW



FRONT VIEW



SIDE VIEW

\*Maximum Fall Height. Dimensions shown are in cm